

Fundamentals of Business Process Management

Marlon Dumas • Marcello La Rosa •
Jan Mendling • Hajo A. Reijers

Fundamentals of Business Process Management

 Springer

Marlon Dumas
Institute of Computer Science
University of Tartu
Tartu, Estonia

Marcello La Rosa
Queensland University of Technology
and NICTA
Brisbane, Australia

Jan Mendling
Institute for Information Business
Vienna University of Economics
and Business
Vienna, Austria

Hajo A. Reijers
Department of Mathematics
and Computer Science
Eindhoven University of Technology
Eindhoven, The Netherlands

ISBN 978-3-642-33142-8

ISBN 978-3-642-33143-5 (eBook)

DOI 10.1007/978-3-642-33143-5

Springer Heidelberg New York Dordrecht London

Library of Congress Control Number: 2013932467

ACM Computing Classification (1998): J.1, H.4, H.3.5, D.2

© Springer-Verlag Berlin Heidelberg 2013

This work is subject to copyright. All rights are reserved by the Publisher, whether the whole or part of the material is concerned, specifically the rights of translation, reprinting, reuse of illustrations, recitation, broadcasting, reproduction on microfilms or in any other physical way, and transmission or information storage and retrieval, electronic adaptation, computer software, or by similar or dissimilar methodology now known or hereafter developed. Exempted from this legal reservation are brief excerpts in connection with reviews or scholarly analysis or material supplied specifically for the purpose of being entered and executed on a computer system, for exclusive use by the purchaser of the work. Duplication of this publication or parts thereof is permitted only under the provisions of the Copyright Law of the Publisher's location, in its current version, and permission for use must always be obtained from Springer. Permissions for use may be obtained through RightsLink at the Copyright Clearance Center. Violations are liable to prosecution under the respective Copyright Law.

The use of general descriptive names, registered names, trademarks, service marks, etc. in this publication does not imply, even in the absence of a specific statement, that such names are exempt from the relevant protective laws and regulations and therefore free for general use.

While the advice and information in this book are believed to be true and accurate at the date of publication, neither the authors nor the editors nor the publisher can accept any legal responsibility for any errors or omissions that may be made. The publisher makes no warranty, express or implied, with respect to the material contained herein.

Cover illustration: M.C. Escher's "Drawing Hands" © 2012 The M.C. Escher Company-Holland. All rights reserved. www.mcescher.com

Printed on acid-free paper

Springer is part of Springer Science+Business Media (www.springer.com)

To Inga and Maia—Marlon
To Chiara and Lorenzo—Marcello
To Stefanie—Jan
To Maddy, Timon and Mayu—Hajo

Foreword

Business processes represent a core asset of corporations. They have direct impact on the attractiveness of products and services as perceived by the market. They determine tasks, jobs and responsibilities and by this, shape the work of every employee. Processes integrate systems, data, and resources within and across organizations and any failure can bring corporate life to a standstill. Processes determine the potential of an organization to adapt to new circumstances and to comply with a fast growing number of legislative requirements. Processes influence the revenue potential as much as they shape the cost profile of an organization.

However, unlike other corporate assets such as products, services, workforce, brand, physical or monetary assets, the significance of business processes had not been appreciated for a long period. Despite the fact that processes are the lifeblood of an organization, they did not develop the status of a primary citizen in boardroom discussions and managerial decision-making processes.

Only the growing demands for globalization, integration, standardization, innovation, agility and operational efficiency, and the related challenge of finding further variables in the corporate ecosystem that can be optimized, have finally increased the appetite for reflecting on and ultimately improving business processes.

In response, over the last two decades a comprehensive set of tools, techniques, methods and entire methodologies has been developed providing support for all stages of the business process lifecycle. Relevant contributions have been made by diverse disciplines such as Industrial Engineering, Operations Management, Quality Management, Human Capital Management, corporate governance, conceptual modeling, workflow management and system engineering.

Business Process Management (BPM) is the discipline that now faces the difficult, but rewarding task of consolidating and integrating the plethora of these approaches.

This book is the first and most up-to-date contribution that faces and masters this challenge. It succinctly captures the current status of BPM and brings meaningful order and consistency into approaches that often have been developed, discussed and deployed in isolation.

“Fundamentals of Business Process Management” derives its merits from its firm foundation in the latest applied BPM research. Relying on scientifically sound practices means capitalizing on evidence rather than depending on confidence. This clearly differentiates this much needed publication from many of its predecessors. In particular, it gives BPM the credibility that a still young and growing discipline requires.

The book itself is also a compelling showcase for the importance of a new class of processes, i.e. long living, internationally distributed, complex and flexible business processes. In this case, it is the process of jointly writing a book involving four authors in four different countries. The team has addressed this challenge brilliantly and the outcome is an impressive compilation of the individual strengths of each author grounded in a shared understanding of the essential BPM fundamentals and a common passion for the topic.

I have no doubts that this book will shape the toolset, and hopefully even more the mindset, of the current and future generations of BPM professionals. This publication has the potential to become a significant catalyst for future BPM success by establishing a common sense for the fundamentals of BPM upon which it can be further developed and tailored to individual circumstances. The book provides the needed consistency and rigor within and across the diverse and fast growing community of professionals and researchers committed to and passionate about the merits of the process-based organization.

Finally, and maybe most of all, the book is an outstanding reference for all students who are keen to learn more about and want to embrace the fascination of BPM. This long missing BPM textbook addresses a severe shortcoming within the BPM community, i.e. the lack of resources to facilitate the introduction of BPM subjects into tertiary and corporate education. Making BPM more accessible to future decision makers ensures that processes will play the role they deserve.

Brisbane, Australia

Michael Rosemann

Preface

First, master the fundamentals.
Larry Bird (1957–)

Business Process Management (BPM) is a special field for more than one reason. First of all, BPM is a crossroad of multiple, quite different viewpoints. Business managers are attracted to BPM because of its demonstrated ability to deliver improvements in organizational performance, regulatory compliance and service quality. Industrial engineers see BPM as an opportunity to apply well-trodden manufacturing optimization techniques in the context of organizations that deliver services rather than physical products. Finally, Information Technology (IT) specialists appreciate the fact that BPM provides them with a shared language to communicate with business stakeholders. Furthermore, business process automation technology allows IT specialists to implement and monitor IT systems in a way that is aligned with the vision that business stakeholders have of the organization. In other words, BPM is a boundary-spanning field that serves as a melting pot for otherwise separate communities. For those who have experienced how business managers, industrial engineers and IT professionals often seem to live in different worlds, this shared field of interest is a remarkable opportunity to achieve a joint understanding of the inner workings of a business.

A second special characteristic of BPM is that it is both actively practiced and actively researched. In other words, it is a field where there are both proven and established practices as well as open challenges. Businesses around the world are carrying out BPM initiatives with the aim to, for example, outperform their competitors or meet the demands of regulatory authorities. Academics in fields like computer science, management science, sociology, and engineering are working on the development of methods and techniques to support such initiatives. It is appropriate to see BPM as a “theory in practice” field. On the one hand, practical demands inspire the development of new methods and technologies. On the other hand, the application of these methods and technologies in practice feeds back to the drawing boards in universities and research centers.

After teaching BPM to thousands of students and professionals over the past decade, we strongly feel the lack of a textbook to give a structure to our courses and to allow our audience to study for themselves beyond classwork and homework

assignments. This situation is not due to a lack of excellent books on BPM—in fact there is a good number of them—but rather due to the cross-disciplinary and continuously evolving nature of BPM.

There are excellent treatments of BPM from a business management perspective, most notably Harmon’s *Business Process Change* and Sharp and McDermott’s *Workflow Modeling*. Both of these books provide useful conceptual frameworks and practical advice and should definitely lie in the bookshelves (or better in the hands) of BPM practitioners. However, one needs an introductory background and preferably years of experience in order to truly appreciate the advice given in these books. Also, these books give little attention to technology aspects such as business process management systems and process intelligence tools.

On the other side of the spectrum, other books adopt a computer science perspective to BPM, such as Van der Aalst and Van Hee’s *Workflow Management* and Weske’s *Business Process Management*, both focused on process modeling, analysis and automation for computer scientists. At a more specialized level, one can find a range of books focusing on process modeling using specific languages—for example Silver’s *BPMN Method and Style*.

Against this background, we decided it was time to put together our combined teaching experience in BPM in order to deliver a textbook that:

- Embraces BPM as a cross-disciplinary field, striking a balance between business management and IT aspects.
- Covers the entire BPM lifecycle, all the way from identifying processes to analyzing, redesigning, implementing and monitoring these processes.
- Follows a step-by-step approach punctuated by numerous examples, in order to make the content accessible to students who have little or no BPM background.
- Contains numerous classroom-tested exercises, both inside each chapter and at the end of the chapters, so that students can test their skills incrementally and instructors have material for classwork, homework and projects.
- Relies on a mature and standardized process modeling language, namely BPMN.

In the spirit of a textbook, every chapter contains a number of elaborated examples and exercises. Some of these exercises are spread throughout the chapter and are intended to help the reader to incrementally put into action concepts and techniques exposed in the chapter in concrete scenarios. These “in-chapter” exercises are paired with sample solutions at the end of the chapter. In addition, every chapter closes with a number of further exercises for which no solutions are provided. Instructors may wish to use these latter exercises for assignments.

Most chapters also contain “highlighted boxes” that provide complementary insights into a specific topic. These boxes are tangential to the flow of the book and may be skipped by readers who wish to concentrate on the essential concepts. Similarly, every chapter closes with a “Further Readings” section that provides external pointers for readers wishing to deepen their understanding of a specific topic.

To better serve our readership, we have set up a website to collect course materials: <http://fundamentals-of-bpm.org>. This website includes slides, lecture recordings, sample exams, links to related resources and additional exercises.

The book is designed to support courses of a wide variety. An in-depth course on BPM could cover all chapters in a balanced way. In order to fit the content into one semester though, it may be necessary to sacrifice one or two chapters. If this was required, our suggestion would be to skip Chap. 4 or 10. An introductory BPM course could skip Chaps. 2, 4, 7 and 10 while still providing a consistent picture of the field. A course on process automation for IT students could skip Chaps. 2, 5 and 6. A course on process modeling would focus on Chaps. 2 to 5, and possibly Chap. 9 if the intention is to produce executable process models. Chapters 3 and 4 can be integrated into a broader semester-long course on systems modeling. Finally, a process improvement course for business students might focus on Chap. 3 and Chaps. 5 to 8. Naturally, Chap. 1 could find its place in any of the above courses.

Each chapter can be delivered as a combination of lectures and classwork sessions. Shorter chapters (1, 2, 3, 5, 6 and 10) can be delivered in one lecture and one classwork session. Chapters 4, 8 and 9 may require two lectures and two classwork sessions each. Chapter 7 can be delivered across two lectures and two classwork sessions, or it can be delivered in one lecture and one classwork session by skipping the content on queues and flow analysis.

This textbook is the result of many years of educational practice both at the undergraduate and postgraduate levels in more than half a dozen institutions, including Eindhoven University of Technology (The Netherlands), Queensland University of Technology (Australia), Humboldt University of Berlin (Germany), University of Tartu (Estonia), Vienna University of Economics and Business (Austria) and National University of Colombia. The material in this textbook has also served as a basis for professional training courses delivered to organizations in Australia, The Netherlands and elsewhere. We are grateful to the thousands of students who over the past years have given us constructive feedback and encouragement.

We also owe a lot to our many colleagues who encouraged us and provided us with feedback throughout the entire idea-to-textbook process. We would like to thank Wil van der Aalst, Raffaele Conforti, Monika Malinova, Johannes Prescher, Artem Polyvyanyy, Manfred Reichert, Jan Recker, Michael Rosemann, Matthias Schrepfer, Arthur ter Hofstede, Irene Vanderfeesten, J. Leon Zhao and Michael zur Muehlen, who all provided constructive feedback on drafts of the book. Fabio Casati and Boualem Benatallah provided us with initial encouragement to start the writing process. Special mentions are due to Matthias Weidlich who provided us with detailed and comprehensive suggestions, and Remco Dijkman who shared with us teaching material that served as input to Chaps. 2 and 9.

Tartu, Estonia
 Brisbane, Australia
 Vienna, Austria
 Eindhoven, The Netherlands

Marlon Dumas
 Marcello La Rosa
 Jan Mendling
 Hajo A. Reijers

Contents

1	Introduction to Business Process Management	1
1.1	Processes Everywhere	1
1.2	Ingredients of a Business Process	3
1.3	Origins and History of BPM	8
1.3.1	The Functional Organization	8
1.3.2	The Birth of Process Thinking	10
1.3.3	The Rise and Fall of BPR	12
1.4	The BPM Lifecycle	15
1.5	Recap	26
1.6	Solutions to Exercises	26
1.7	Further Exercises	28
1.8	Further Reading	31
2	Process Identification	33
2.1	Focusing on Key Processes	33
2.1.1	The Designation Phase	34
2.1.2	The Evaluation Phase	38
2.2	Designing a Process Architecture	42
2.2.1	Identify Case Types	44
2.2.2	Identify Functions for Case Types	45
2.2.3	Construct Case/Function Matrices	49
2.2.4	Identify Processes	50
2.2.5	Complete the Process Architecture	55
2.3	Recap	57
2.4	Solutions to Exercises	57
2.5	Further Exercises	59
2.6	Further Reading	60
3	Essential Process Modeling	63
3.1	First Steps with BPMN	63
3.2	Branching and Merging	67
3.2.1	Exclusive Decisions	67

- 3.2.2 Parallel Execution 69
- 3.2.3 Inclusive Decisions 72
- 3.2.4 Rework and Repetition 77
- 3.3 Information Artifacts 79
- 3.4 Resources 82
- 3.5 Recap 89
- 3.6 Solutions to Exercises 89
- 3.7 Further Exercises 93
- 3.8 Further Reading 95
- 4 Advanced Process Modeling 97**
 - 4.1 Process Decomposition 97
 - 4.2 Process Reuse 100
 - 4.3 More on Rework and Repetition 102
 - 4.3.1 Parallel Repetition 104
 - 4.3.2 Uncontrolled Repetition 107
 - 4.4 Handling Events 108
 - 4.4.1 Message Events 108
 - 4.4.2 Temporal Events 110
 - 4.4.3 Racing Events 111
 - 4.5 Handling Exceptions 114
 - 4.5.1 Process Abortion 115
 - 4.5.2 Internal Exceptions 116
 - 4.5.3 External Exceptions 117
 - 4.5.4 Activity Timeouts 118
 - 4.5.5 Non-interrupting Events and Complex Exceptions 119
 - 4.5.6 Interlude: Event Sub-processes 121
 - 4.5.7 Activity Compensation 122
 - 4.6 Processes and Business Rules 124
 - 4.7 Process Choreographies 125
 - 4.8 Recap 129
 - 4.9 Solutions to Exercises 130
 - 4.10 Further Exercises 146
 - 4.11 Further Reading 152
- 5 Process Discovery 155**
 - 5.1 The Setting of Process Discovery 155
 - 5.1.1 Process Analyst Versus Domain Expert 156
 - 5.1.2 Three Process Discovery Challenges 158
 - 5.1.3 Profile of a Process Analyst 159
 - 5.2 Discovery Methods 161
 - 5.2.1 Evidence-Based Discovery 161
 - 5.2.2 Interview-Based Discovery 162
 - 5.2.3 Workshop-Based Discovery 164
 - 5.2.4 Strengths and Limitations 165

- 5.3 Process Modeling Method 167
 - 5.3.1 Identify the Process Boundaries 167
 - 5.3.2 Identify Activities and Events 167
 - 5.3.3 Identify Resources and Their Handovers 168
 - 5.3.4 Identify the Control Flow 169
 - 5.3.5 Identify Additional Elements 169
- 5.4 Process Model Quality Assurance 171
 - 5.4.1 Syntactic Quality and Verification 171
 - 5.4.2 Semantic Quality and Validation 172
 - 5.4.3 Pragmatic Quality and Certification 174
 - 5.4.4 Modeling Guidelines and Conventions 175
- 5.5 Recap 178
- 5.6 Solutions to Exercises 179
- 5.7 Further Exercises 181
- 5.8 Further Reading 183
- 6 Qualitative Process Analysis 185**
 - 6.1 Value-Added Analysis 185
 - 6.1.1 Value Classification 185
 - 6.1.2 Waste Elimination 189
 - 6.2 Root Cause Analysis 190
 - 6.2.1 Cause–Effect Diagrams 191
 - 6.2.2 Why–Why Diagrams 196
 - 6.3 Issue Documentation and Impact Assessment 198
 - 6.3.1 Issue Register 198
 - 6.3.2 Pareto Analysis and PICK Charts 201
 - 6.4 Recap 204
 - 6.5 Solutions to Exercises 205
 - 6.6 Further Exercises 208
 - 6.7 Further Reading 210
- 7 Quantitative Process Analysis 213**
 - 7.1 Performance Measures 213
 - 7.1.1 Process Performance Dimensions 213
 - 7.1.2 Balanced Scorecard 217
 - 7.1.3 Reference Models and Industry Benchmarks 218
 - 7.2 Flow Analysis 219
 - 7.2.1 Calculating Cycle Time Using Flow Analysis 219
 - 7.2.2 Cycle Time Efficiency 224
 - 7.2.3 Cycle Time and Work-In-Process 225
 - 7.2.4 Other Applications and Limitations of Flow Analysis 227
 - 7.3 Queues 229
 - 7.3.1 Basics of Queueing Theory 229
 - 7.3.2 M/M/1 and M/M/c Models 232
 - 7.3.3 Limitations of Basic Queueing Theory 234

- 7.4 Simulation 235
 - 7.4.1 Anatomy of a Process Simulation 235
 - 7.4.2 Input for Process Simulation 236
 - 7.4.3 Simulation Tools 240
 - 7.4.4 A Word of Caution 243
- 7.5 Recap 243
- 7.6 Solutions to Exercises 244
- 7.7 Further Exercises 246
- 7.8 Further Reading 250
- 8 Process Redesign 253**
 - 8.1 The Essence of Process Redesign 253
 - 8.1.1 Why Redesign? 253
 - 8.1.2 What Is Redesign? 256
 - 8.1.3 The Devil’s Quadrangle 258
 - 8.1.4 How to Redesign? 259
 - 8.2 Heuristic Process Redesign 262
 - 8.2.1 Customer Heuristics 263
 - 8.2.2 Business Process Operation Heuristics 264
 - 8.2.3 Business Process Behavior Heuristics 266
 - 8.2.4 Organization Heuristics 267
 - 8.2.5 Information Heuristics 270
 - 8.2.6 Technology Heuristics 271
 - 8.2.7 External Environment Heuristics 271
 - 8.3 The Case of a Health Care Institution 273
 - 8.3.1 Sending Medical Files by Post 275
 - 8.3.2 Periodic Meetings 275
 - 8.3.3 Requesting Medical Files 276
 - 8.4 Product-Based Design 278
 - 8.4.1 Analysis: Creating a Product Data Model 279
 - 8.4.2 Design: Deriving a Process from a Product Data Model 285
 - 8.5 Recap 288
 - 8.6 Solutions to Exercises 289
 - 8.7 Further Exercises 292
 - 8.8 Further Reading 295
- 9 Process Automation 297**
 - 9.1 Automating Business Processes 297
 - 9.1.1 Business Process Management Systems 298
 - 9.1.2 Architecture of a BPMS 299
 - 9.1.3 The Case of ACNS 304
 - 9.2 Advantages of Introducing a BPMS 309
 - 9.2.1 Workload Reduction 309
 - 9.2.2 Flexible System Integration 310
 - 9.2.3 Execution Transparency 311
 - 9.2.4 Rule Enforcement 312

- 9.3 Challenges of Introducing a BPMS 313
 - 9.3.1 Technical Challenges 313
 - 9.3.2 Organizational Challenges 314
- 9.4 Turning Process Models Executable 316
 - 9.4.1 Identify the Automation Boundaries 317
 - 9.4.2 Review Manual Tasks 319
 - 9.4.3 Complete the Process Model 323
 - 9.4.4 Bring the Process Model to an Adequate Granularity Level 324
 - 9.4.5 Specify Execution Properties 327
 - 9.4.6 The Last Mile 337
- 9.5 Recap 338
- 9.6 Solutions to Exercises 338
- 9.7 Further Exercises 347
- 9.8 Further Reading 351
- 10 Process Intelligence 353**
 - 10.1 Process Execution and Event Logs 353
 - 10.1.1 The Perspective of Participants on Process Execution 354
 - 10.1.2 The Perspective of the Process Owner on Process Execution 354
 - 10.1.3 Structure of Event Logs 356
 - 10.1.4 Challenges of Extracting Event Logs 359
 - 10.2 Automatic Process Discovery 360
 - 10.2.1 Assumptions of the α -Algorithm 360
 - 10.2.2 The Order Relations of the α -Algorithm 361
 - 10.2.3 The α -Algorithm 364
 - 10.2.4 Robust Process Discovery 366
 - 10.3 Performance Analysis 367
 - 10.3.1 Time Measurement 367
 - 10.3.2 Cost Measurement 369
 - 10.3.3 Quality Measurement 370
 - 10.3.4 Flexibility Measurement 372
 - 10.4 Conformance Checking 373
 - 10.4.1 Conformance of Control Flow 374
 - 10.4.2 Conformance of Data and Resources 377
 - 10.5 Recap 378
 - 10.6 Solutions to Exercises 379
 - 10.7 Further Exercises 382
 - 10.8 Further Reading 382
- References 385**
- Index 391**

Acronyms

6 M	Machine, Method, Material, Man, Measurement, Milieu
4 P	Policies, Procedures, People, Plant/Equipment
7PMG	Seven Process Modeling Guidelines
ABC	Activity-Based Costing
APQC	American Productivity and Quality Center
ATAMO	And Then, A Miracle Occurs
B2B	Business-to-Business
BAM	Business Activity Monitoring
BOM	Bill-of-Material
BPA	Business Process Analysis
BPEL	Web Service Business Process Execution Language
BPM	Business Process Management
BPMN	Business Process Model & Notation
BPMS	Business Process Management System
BPR	Business Process Reengineering
BTO	Build-to-Order
BVA	Business Value-Adding
CEO	Chief Executive Officer
CFO	Chief Financial Officer
CIO	Chief Information Officer
CMMI	Capability Maturity Model Integrated
COO	Chief Operations Officer
CPO	Chief Process Officer
CRM	Customer Relationship Management
CPN	Colored Petri Net
CT	Cycle Time
DBMS	Database Management System
DCOR	Design Chain Operations Reference (product design)
DES	Discrete-Event Simulation
DMR	Department of Main Roads
DMS	Document Management System

DUR	Drug Utilization Review
EPA	Environment Protection Agency
EPC	Event-driven Process Chain
ERP	Enterprise Resource Planning
eTOM	Enhanced Telecom Operations Map
FIFO	First-In-First-Out
HR	Human Resources
IDEF3	Integrated Definition for Process Description Capture Method
ISP	Internet Service Provider
IT	Information Technology
ITIL	Information Technology Infrastructure Library
KM	Knowledge Management
KPI	Key Performance Indicator
NRW	Department of Natural Resources and Water
NVA	Non-Value-Adding
OASIS	Organization for the Advancement of Structured Information Standards
OMG	Object Management Group
OS	Operating System
PCF	Process Classification Framework
PD	Product Development
PDCA	Plan-Do-Check-Act
PO	Purchase Order
POS	Point-of-Sale
PPM	Process Performance Measurement
RBAC	Role-based Access Control
RFID	Radio-Frequency Identification
RFQ	Request for Quote
ROI	Return-On-Investment
SCAMPI	Standard CMMI Appraisal Method for Process Improvement
SCOR	Supply Chain Operations Reference Model
Smart eDA	Smart Electronic Development Assessment System
SOA	Service-Oriented Architecture
STP	Straight-Through-Processing
TCT	Theoretical Cycle Time
TOC	Theory of Constraints
TQM	Total Quality Management
UIMS	User Interface Management System
UEL	Universal Expression Language
UML	Unified Modeling Language
UML AD	UML Activity Diagram
VA	Value-Adding
VCH	Value Creation Hierarchy
VCS	Value Creation System
VRM	Value Reference Model

WIP	Work-In-Progress
WfMC	Workflow Management Coalition
WfMS	Workflow Management System
WS-BPEL	Web Service Business Process Execution Language
WSDL	Web Service Definition Language
XES	Extensible Event Stream
XML	Extensible Markup Language
XSD	XML Schema Definition
YAWL	Yet Another Workflow Language

List of Figures

Fig. 1.1	Ingredients of a business process	6
Fig. 1.2	How the process moved out of focus through the ages	8
Fig. 1.3	Purchasing process at Ford at the initial stage	10
Fig. 1.4	Purchasing process at Ford after redesign	11
Fig. 1.5	Job functions of a manager responsible for a process (a.k.a. process owner)	14
Fig. 1.6	Process model for an initial fragment of the equipment rental process	17
Fig. 1.7	BPM lifecycle	21
Fig. 2.1	The different levels of detail in a process architecture	42
Fig. 2.2	A process architecture for a harbor authority	44
Fig. 2.3	Different functional decompositions within the same organization	48
Fig. 2.4	A case/function matrix	49
Fig. 2.5	A case/function matrix evolving into a process landscape model (applying Guideline 1)	50
Fig. 2.6	A case/function matrix evolving into a process landscape model (applying Guidelines 2–7)	54
Fig. 2.7	A case/function matrix evolving into a process landscape model (applying Guideline 8)	54
Fig. 2.8	A process map for the mortgage payment process	56
Fig. 3.1	The diagram of a simple order fulfillment process	64
Fig. 3.2	Progress of three instances of the order fulfillment process	65
Fig. 3.3	A building (a) , its timber miniature (b) and its blueprint (c) . (b) : © 2010, Bree Industries; (c) : used by permission of planetclaire.org)	66
Fig. 3.4	An example of the use of XOR gateways	68
Fig. 3.5	An example of the use of AND gateways	70
Fig. 3.6	A more elaborated version of the order fulfillment process diagram	71

Fig. 3.7	A variant of the order fulfillment process with two different triggers	72
Fig. 3.8	Modeling an inclusive decision: first trial	73
Fig. 3.9	Modeling an inclusive decision: second trial	73
Fig. 3.10	Modeling an inclusive decision with the OR gateway	74
Fig. 3.11	What type should the join gateway have such that instances of this process can complete correctly?	75
Fig. 3.12	The order fulfillment process diagram with product manufacturing	77
Fig. 3.13	A process model for addressing ministerial correspondence	78
Fig. 3.14	The order fulfillment example with artifacts	80
Fig. 3.15	The order fulfillment example with resource information	84
Fig. 3.16	Collaboration diagram between a seller, a customer and two suppliers	87
Fig. 4.1	Identifying sub-processes in the order fulfillment process of Fig. 3.12	98
Fig. 4.2	A simplified version of the order fulfillment process after hiding the content of its sub-processes	99
Fig. 4.3	A process model for disbursing home loans, laid down over three hierarchical levels via the use of sub-processes	100
Fig. 4.4	The process model for disbursing student loans invokes the same model for signing loans used by the process for disbursing home loans, via a call activity	101
Fig. 4.5	The process model for addressing ministerial correspondence of Fig. 3.13 simplified using a loop activity	103
Fig. 4.6	An example of unstructured cycle	104
Fig. 4.7	Obtaining quotes from five suppliers	105
Fig. 4.8	Obtaining quotes from multiple suppliers, whose number is not known a priori	106
Fig. 4.9	Using a multi-instance pool to represent multiple suppliers	106
Fig. 4.10	Using an ad-hoc sub-process to model uncontrolled repetition	108
Fig. 4.11	Replacing activities that only send or receive messages (a) with message events (b)	109
Fig. 4.12	Using timer events to drive the various activities of a business process	110
Fig. 4.13	A race condition between an incoming message and a timer	112
Fig. 4.14	Matching an internal choice in one party with an event-based choice in the other party	113
Fig. 4.15	An example of deadlocking collaboration between two pools	113
Fig. 4.16	Using an event-based gateway to fix the deadlocking collaboration of Fig. 4.15	114
Fig. 4.17	A collaboration diagram between a client, a travel agency and an airline	115
Fig. 4.18	Using a terminate event to signal improper process termination	116
Fig. 4.19	Error events model internal exceptions	117

Fig. 4.20 Boundary events catch external events that can occur during an activity 118

Fig. 4.21 Non-interrupting boundary events catch external events that occur during an activity, and trigger a parallel procedure without interrupting the enclosing activity 119

Fig. 4.22 Non-interrupting events can be used in combination with signal events to model complex exception handling scenarios 120

Fig. 4.23 Event sub-processes can be used in place of boundary events, and to catch events thrown from outside the scope of a particular sub-process 121

Fig. 4.24 Compensating for the shipment and for the payment 123

Fig. 4.25 A replenishment order is triggered every time the stock levels drop below a threshold 124

Fig. 4.26 The choreography diagram for the collaboration diagram in Fig. 4.9 126

Fig. 4.27 The choreography diagram between a seller, a customer and a carrier 127

Fig. 4.28 Collaboration diagram—part 1/2 (Freight shipment fragment) . . 140

Fig. 4.29 Collaboration diagram—part 2/2 (Merchandise return handling fragment) 141

Fig. 4.30 Choreography diagram—part 1/2 142

Fig. 4.31 Choreography diagram—part 2/2 143

Fig. 4.32 Collaboration diagram—part 1/3 (Loan establishment fragment) 144

Fig. 4.33 Collaboration diagram—part 2/3 (Loan disbursement fragment) 145

Fig. 4.34 Collaboration diagram—part 3/3 (sub-processes) 146

Fig. 5.1 The main activities and events of the order fulfillment process . . 168

Fig. 5.2 The activities and events of the order fulfillment process assigned to pools and lanes 169

Fig. 5.3 The control flow of the order fulfillment process 170

Fig. 5.4 Quality aspects and quality assurance activities 172

Fig. 5.5 Common sound and unsound process fragments 173

Fig. 5.6 Extract of the order fulfillment process model with bad layout . . 175

Fig. 5.7 Extract of the order fulfillment process model with good layout . 175

Fig. 5.8 A complaint handling process as found in practice 177

Fig. 5.9 The complaint handling process reworked 182

Fig. 5.10 A loan application process 182

Fig. 5.11 A sales campaign process 183

Fig. 6.1 Template of a cause–effect diagram based on the 6M’s 194

Fig. 6.2 Cause–effect diagram for issue “Equipment rejected at delivery” 195

Fig. 6.3 Template of a why–why diagram 197

Fig. 6.4 Pareto chart for excessive equipment rental expenditure 202

Fig. 6.5 PICK chart 204

Fig. 6.6 Pareto chart of causal factors of issue “Equipment not available when needed” 208

Fig. 7.1 Fully sequential process model 219

Fig. 7.2 Process model with XOR-block 220

Fig. 7.3 XOR-block pattern 220

Fig. 7.4 Process model with AND-block 221

Fig. 7.5 AND-block pattern 221

Fig. 7.6 Credit application process 221

Fig. 7.7 Example of a rework loop 222

Fig. 7.8 Rework pattern 223

Fig. 7.9 Activity that is reworked at most once 223

Fig. 7.10 Credit application process with rework 223

Fig. 7.11 Structure of an M/M/1 or M/M/c system, input parameters and
computable parameters 233

Fig. 7.12 Histograms produced by simulation of the credit application
process 239

Fig. 7.13 Cetera’s claim-to-resolution process 241

Fig. 7.14 Mortgage process 249

Fig. 8.1 The Devil’s Quadrangle 259

Fig. 8.2 The intake process 274

Fig. 8.3 The intake process after the medical file redesign 277

Fig. 8.4 The helicopter pilot product data model 280

Fig. 8.5 An incorrect process design for the helicopter pilot product data
model 286

Fig. 8.6 A correct process design for the helicopter pilot product data
model 286

Fig. 8.7 An alternative process design for the helicopter pilot product
data model 287

Fig. 8.8 Solution for the loan proposal 291

Fig. 8.9 A complete process design for the helicopter pilot product data
model 292

Fig. 8.10 A cost-efficient process design for the helicopter pilot product
data model 292

Fig. 9.1 The architecture of a BPMS 299

Fig. 9.2 The process modeling tool of Bonita Open Solution from Bonita
Soft 300

Fig. 9.3 The worklist handler of Bizagi’s BPM Suite 301

Fig. 9.4 The monitoring tool of Perceptive Software’s BPMOne 302

Fig. 9.5 The spectrum of BPMS types 307

Fig. 9.6 The order fulfillment model that we want to automate 318

Fig. 9.7 Admission process: the initial (a) and final (c) assessments can
be automated in a BPMS; the assessment by the committee (b)
is a manual process outside the scope of the BPMS 321

Fig. 9.8 The order fulfillment model of Fig. 9.6, completed with
control-flow and data-flow aspects relevant for automation 325

Fig. 9.9 The sales process of a B2B service provider 326

Fig. 9.10 Structure of the BPMN format 328

Fig. 9.11 The XSD describing the purchase order (**a**) and one of its instances (**b**) 329

Fig. 9.12 The automated prescription fulfillment process 342

Fig. 9.13 The model for the sales process of a B2B service provider, completed with missing control flow and data relevant for execution 345

Fig. 9.14 FixComp’s process model for handling complaints 348

Fig. 9.15 Claims handling process model 349

Fig. 10.1 Example of an event log for the order fulfillment process 357

Fig. 10.2 Metamodel of the XES format 358

Fig. 10.3 Example of a file in the XES format 358

Fig. 10.4 Definition of a workflow log 361

Fig. 10.5 Simple control flow patterns 362

Fig. 10.6 Footprint represented as a matrix of the workflow log
 $L = [\langle a, b, g, h, j, k, i, l \rangle, \langle a, c, d, e, f, g, j, h, i, k, l \rangle]$ 363

Fig. 10.7 Process model constructed by the α -algorithm from workflow log $L = [\langle a, b, g, h, j, k, i, l \rangle, \langle a, c, d, e, f, g, j, h, i, k, l \rangle]$ 365

Fig. 10.8 Examples of two short loops, which are problematic for the α -algorithm 366

Fig. 10.9 Dotted chart of log data 368

Fig. 10.10 Timeline chart of log data like PM 232 369

Fig. 10.11 BPMN model with token on start event for replaying the case $\langle a, b, g, i, j, k, l \rangle$ 375

Fig. 10.12 Replayng the non-conforming case $\langle a, b, i, j, k, l \rangle$ 376

Fig. 10.13 Result of replaying cases in the process model 377

Fig. 10.14 Process model constructed by the α -algorithm 380

Chapter 1

Introduction to Business Process Management

Ab ovo usque ad mala.
Horace (65 BCE–8 BCE)

Business Process Management (BPM) is the art and science of overseeing how work is performed in an organization to ensure consistent outcomes and to take advantage of improvement opportunities. In this context, the term “improvement” may take different meanings depending on the objectives of the organization. Typical examples of improvement objectives include reducing costs, reducing execution times and reducing error rates. Improvement initiatives may be one-off, but also display a more continuous nature. Importantly, BPM is not about improving the way individual activities are performed. Rather, it is about managing entire chains of events, activities and decisions that ultimately add value to the organization and its customers. These “chains of events, activities and decisions” are called *processes*.

In this chapter, we introduce a few essential concepts behind BPM. We will start with a description of typical processes that are found in contemporary organizations. Next, we discuss the basic ingredients of a business process and we provide a definition for the concept as well as of BPM. In order to place BPM in a broader perspective, we then provide a historical overview of the BPM discipline. Finally, we discuss how a BPM initiative in an organization typically unfolds. This discussion leads us to the definition of a BPM lifecycle around which the book is structured.

1.1 Processes Everywhere

Every organization—be it a governmental body, a non-profit organization, or an enterprise—has to manage a number of processes. Typical examples of processes that can be found in most organizations include:

- *Order-to-cash*: This is a type of process performed by a vendor, which starts when a customer submits an order to purchase a product or a service and ends when the product or service in question has been delivered to the customer and the customer has made the corresponding payment. An order-to-cash process encompasses activities related to purchase order verification, shipment (in the case of physical products), delivery, invoicing, payment receipt and acknowledgment.

- *Quote-to-order*: This type of process typically precedes an order-to-cash process. It starts from the point when a supplier receives a “Request for Quote” (RFQ) from a customer and ends when the customer in question places a purchase order based on the received quote. The order-to-cash process takes the relay from that point on. The combination of a quote-to-order and the corresponding order-to-cash process is called a *quote-to-cash* process.
- *Procure-to-pay*: This type of process starts when someone in an organization determines that a given product or service needs to be purchased. It ends when the product or service has been delivered and paid for. A procure-to-pay process includes activities such as obtaining quotes, approving the purchase, selecting a supplier, issuing a purchase order, receiving the goods (or consuming the service), checking and paying the invoice. A procure-to-pay process can be seen as the dual of quote-to-cash process in the context of business-to-business interactions. For every procure-to-pay process there is a corresponding quote-to-cash process on the supplier’s side.
- *Issue-to-resolution*. This type of process starts when a customer raises a problem or issue, such as a complaint related to a defect in a product or an issue encountered when consuming a service. The process continues until the customer, the supplier, or preferably both of them, agree that the issue has been resolved. A variant of this process can be found in insurance companies that have to deal with “insurance claims”. This variant is often called *claim-to-resolution*.
- *Application-to-approval*. This type of process starts when someone applies for a benefit or privilege and ends when the benefit or privilege in question is either granted or denied. This type of process is common in government agencies, for example when a citizen applies for a building permit or when a businessman applies for a permit to open a business (e.g. a restaurant). Another process that falls into this category is the admissions process in a university, which starts when a student applies for admission into a degree. Yet another example is the process for approval of vacation or special leave requests in a company.

As the above examples illustrate, business processes are what companies do whenever they deliver a service or a product to customers. The way processes are designed and performed affects both the “quality of service” that customers perceive and the efficiency with which services are delivered. An organization can outperform another organization offering similar kinds of service if it has better processes and executes them better. This is true not only of customer-facing processes, but also of internal processes such as the procure-to-pay process, which is performed for the purpose of fulfilling an internal need.

As we go along this book, we will use a concrete example of a procure-to-pay process for renting construction equipment, as described below.

Example 1.1 Procure-to-pay process at BuildIT.

BuildIT is a construction company specialized in public works (roads, bridges, pipelines, tunnels, railroads, etc.). Within BuildIT, it often happens that engineers working at a construction site (called *site engineers*) need a piece of equipment, such as a truck, an excavator,

a bulldozer, a water pump, etc. BuildIT owns very little equipment and instead it rents most of its equipment from specialized suppliers.

The existing business process for renting equipment goes as follows. When site engineers need to rent a piece of equipment, they fill in a form called “Equipment Rental Request” and send this request by e-mail to one of the clerks at the company’s depot. The clerk at the depot receives the request and, after consulting the catalogs of the equipment suppliers, selects the most cost-effective equipment that complies with the request. Next, the clerk checks the availability of the selected equipment with the supplier via phone or e-mail. Sometimes the selected option is not available and the clerk has to select an alternative piece of equipment and check its availability with the corresponding supplier.

Once the clerk has found a suitable piece of equipment available for rental, the clerk adds the details of the selected equipment to the rental request. Every rental request has to be approved by a works engineer, who also works at the depot. In some cases, the works engineer rejects the equipment rental request. Some rejections lead to the cancellation of the request (no equipment is rented at all). Other rejections are resolved by replacing the selected equipment with another equipment—such as a cheaper piece of equipment or a more appropriate piece of equipment for the job. In the latter case, the clerk needs to perform another availability enquiry.

When a works engineer approves a rental request, the clerk sends a confirmation to the supplier. This confirmation includes a Purchase Order (PO) for renting the equipment. The PO is produced by BuildIT’s financial information system using information entered by the clerk. The clerk also records the engagement of the equipment in a spreadsheet that is maintained for the purpose of tracking all equipment rentals.

In the meantime, the site engineer may decide that the equipment is no longer needed. In this case, the engineer asks the clerk to cancel the request for renting the equipment.

In due time, the supplier delivers the rented equipment to the construction site. The site engineer then inspects the equipment. If everything is in order, the engineer accepts the engagement and the equipment is put into use. In some cases, the equipment is sent back because it does not comply with the requirements of the site engineer. In this case, the site engineer has to start the rental process all over again.

When the rental period expires, the supplier comes to pick up the equipment. Sometimes, the site engineer asks for an extension of the rental period by contacting the supplier via e-mail or phone 1–2 days before pick-up. The supplier may accept or reject this request.

A few days after the equipment is picked up, the equipment’s supplier sends an invoice to the clerk by e-mail. At this point, the clerk asks the site engineer to confirm that the equipment was indeed rented for the period indicated in the invoice. The clerk also checks if the rental prices indicated in the invoice are in accordance with those in the PO. After these checks, the clerk forwards the invoice to the financial department and the finance department eventually pays the invoice.

1.2 Ingredients of a Business Process

The above example shows that a business process encompasses a number of *events* and *activities*. Events correspond to things that happen atomically, meaning that they have no duration. The arrival of an equipment at a construction site is an event. This event may trigger the execution of series of activities. For example, when a piece of equipment arrives, the site engineer inspects it. This inspection is an activity, in the sense that it takes time.

When an activity is rather simple and can be seen as one single unit of work, we call it a *task*. For example, if the inspection that the site engineer performs is quite

simple—e.g. just checking that the equipment received corresponds to what was ordered—we can say that the equipment inspection is a task. If on the other hand the equipment inspection requires many steps—such as checking that the equipment fulfills the specification included in the purchase order, checking that the equipment is in working order, and checking the equipment comes with all the required accessories and safety devices—we will call it an activity.

In addition to events and activities, a typical process involves *decision points*, that is, points in time when a decision is made that affects the way the process is executed. For example, as a result of the inspection, the site engineer may decide that the equipment should be returned or that the equipment should be accepted. This decision affects what happens later in the process.

A process also involves a number of actors (human actors, organizations, or software systems acting on behalf of human actors or organizations), physical objects (equipment, materials, products, paper documents) and immaterial objects (electronic documents and electronic records). For example, the equipment rental process involves three types of human actor (clerk, site engineer and works engineer) and two types of organizational actor (BuildIT and the equipment suppliers). The process also involves physical objects (the rented equipment), electronic documents (equipment rental requests, POs, invoices) and electronic records (equipment engagement records maintained in a spreadsheet).

Finally, the execution of a process leads to one or several *outcomes*. For example, the equipment rental process leads to an equipment being used by BuildIT, as well as a payment being made to the equipment's supplier. Ideally, an outcome should deliver value to the actors involved in the process, which in this example are BuildIT and the supplier. In some cases, this value is not achieved or is only partially achieved. For example, when an equipment is returned, no value is gained, neither by BuildIT nor by the supplier. This corresponds to a *negative outcome*, as opposed to a *positive outcome* that delivers value to the actors involved.

Among the actors involved in a process, the one who consumes the output of the process plays a special role, namely the role of the *customer*. For example, in the above process, the customer is the site engineer, since it is the site engineer who puts the rented equipment to use. It is also the site engineer who will most likely be dissatisfied if the outcome of the process is unsatisfactory (negative outcome) or if the execution of the process is delayed. In this example, the customer is internal to BuildIT, meaning that the customer is an employee of the organization. In other processes, such as an order-to-cash process, the customer is external to the organization. Sometimes, there are multiple customers in a process. For example, in a process for selling a house, there is a buyer, a seller, a real estate agent, one or multiple mortgage providers, and at least one notary. The outcome of the process is a sales transaction. This outcome provides value both to the buyer who gets the house and to the seller who monetizes the house. Therefore, both the buyer and the seller can be seen as customers in this process, while the remaining actors provide various services.

Exercise 1.1 Consider the following process for the admission of graduate students at a university.

In order to apply for admission, students first fill in an online form. Online applications are recorded in an information system to which all staff members involved in the admissions process have access to. After a student has submitted the online form, a PDF document is generated and the student is requested to download it, sign it, and send it by post together with the required documents, which include:

- Certified copies of previous degree and academic transcripts.
- Results of English language test.
- Curriculum vitae.

When these documents are received by the admissions office, an officer checks the completeness of the documents. If any document is missing, an e-mail is sent to the student. The student has to send the missing documents by post. Assuming the application is complete, the admissions office sends the certified copies of the degrees to an academic recognition agency, which checks the degrees and gives an assessment of their validity and equivalence in terms of local education standards. This agency requires that all documents be sent to it by post, and all documents must be certified copies of the originals. The agency sends back its assessment to the university by post as well. Assuming the degree verification is successful, the English language test results are then checked online by an officer at the admissions office. If the validity of the English language test results cannot be verified, the application is rejected (such notifications of rejection are sent by e-mail).

Once all documents of a given student have been validated, the admission office forwards these documents by internal mail to the corresponding academic committee responsible for deciding whether to offer admission or not. The committee makes its decision based on the academic transcripts and the CV. The committee meets once every 2 to 3 weeks and examines all applications that are ready for academic assessment at the time of the meeting. At the end of the committee meeting, the chair of the committee notifies the admissions office of the selection outcomes. This notification includes a list of admitted and rejected candidates. A few days later, the admission office notifies the outcome to each candidate via e-mail. Additionally, successful candidates are sent a confirmation letter by post.

With respect to the above process, consider the following questions:

1. Who are the actors in this process?
2. Which actors can be considered to be the customer (or customers) in this process?
3. What value does the process deliver to its customer(s)?
4. What are the possible outcomes of this process?

In light of the above, we define a business process as *a collection of inter-related events, activities and decision points that involve a number of actors and objects, and that collectively lead to an outcome that is of value to at least one customer*. Figure 1.1 depicts the ingredients of this definition and their relations.

Armed with this definition of a business process, we define BPM as *a body of methods, techniques and tools to discover, analyze, redesign, execute and monitor business processes*. This definition reflects the fact that business processes are the focal point of BPM, and also the fact that BPM involves different phases and activities in the lifecycle of business processes, as we will discuss later in this chapter.

Other disciplines besides BPM deal with business processes in different ways as explained in the box “Related Disciplines”. One of the features commonly associated to BPM is its emphasis on the use of process models throughout the lifecycle of business processes. Accordingly, process models are present in one way or an-

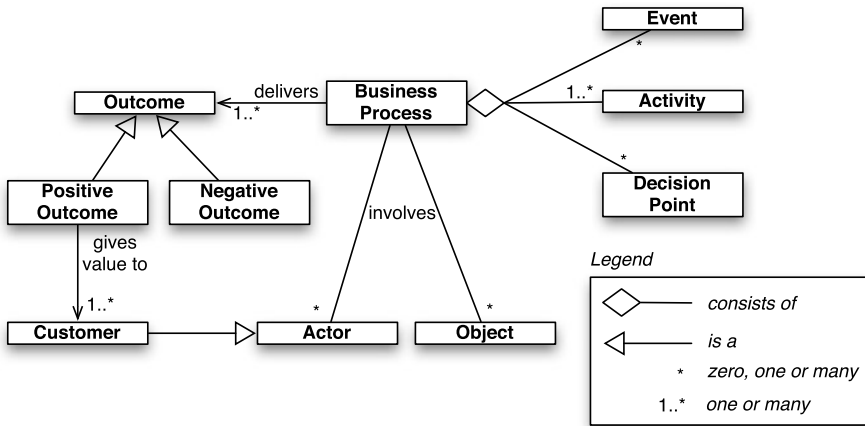


Fig. 1.1 Ingredients of a business process

other in virtually all chapters of this book and two chapters are dedicated to process modeling.

In any case, while it is useful to know that multiple disciplines share the aim of improving business processes, we should remain pragmatic and not pitch one discipline against the other as if they were competitors. Instead, we should embrace any technique that helps us to improve business processes, whether or not this technique is perceived as being part of the BPM discipline (in the strict sense) and regardless of whether or not the technique in question uses process models.

RELATED DISCIPLINES

BPM is by no means the only discipline that is concerned with improving the operational performance of organizations. Below, we briefly introduce some related disciplines and identify key relations and differences between these disciplines and BPM.

Total Quality Management (TQM) is an approach that both historically preceded and inspired BPM. The focus of TQM is on continuously improving and sustaining the quality of products, and by extension also of services. In this way, it is similar to BPM in its emphasis on the necessity of *ongoing* improvement efforts. But where TQM puts the emphasis on the products and services themselves, the view behind BPM is that the quality of products and services can best be achieved by focusing on the improvement of the processes that create these products and services. It should be admitted that this view is somewhat controversial, as contemporary TQM adepts would rather see BPM as one of the various practices that are commonly found within a TQM program. Not so much a theoretical distinction but an empir-

ical one is that applications of TQM are primarily found in manufacturing domains—where the products are tangible—while BPM is more oriented to service organizations.

Operations Management is a field concerned with managing the *physical* and *technical* functions of a firm or organization, particularly those relating to production and manufacturing. Probability theory, queuing theory, decision analysis, mathematical modeling, and simulation are all important techniques for optimizing the efficiency of operations from this perspective. As will be discussed in Chap. 7, such techniques are also useful in the context of BPM initiatives. What is rather different between operations management and BPM is that operations management is generally concerned with controlling an existing process without necessarily changing it, while BPM is often concerned with making changes to an existing process in order to improve it.

Lean is a management discipline that originates from the manufacturing industry, in particular the engineering philosophy of Toyota. One of the main principles of Lean is the *elimination of waste*, i.e. activities that do not add value to the customer as we will discuss in Chap. 6. The customer orientation of Lean is similar to that of BPM and many of the principles behind Lean have been absorbed by BPM. In that sense, BPM can be seen as a more encompassing discipline than Lean. Another difference is that BPM puts more emphasis on the use of information technology as a tool to improve business processes and to make them more consistent and repeatable.

Six Sigma is another set of practices that originate from manufacturing, in particular from engineering and production practices at Motorola. The main characteristic of Six Sigma is its focus on the minimization of defects (errors). Six Sigma places a strong emphasis on measuring the output of processes or activities, especially in terms of quality. Six Sigma encourages managers to systematically compare the effects of improvement initiatives on the outputs. In practice, Six Sigma is not necessarily applied alone, but in conjunction with other approaches. In particular, a popular approach is to blend the philosophy of Lean with the techniques of Six Sigma, leading to an approach known as *Lean Six Sigma*. Nowadays, many of the techniques of Six Sigma are commonly applied in BPM as well. In Chap. 6, we will introduce a few business process analysis techniques that are shared by Six Sigma and BPM.

In summary, we can say that BPM inherits from the continuous improvement philosophy of TQM, embraces the principles and techniques of operations management, Lean and Six Sigma, and combines them with the capabilities offered by modern information technology, in order to optimally align business processes with the performance objectives of an organization.

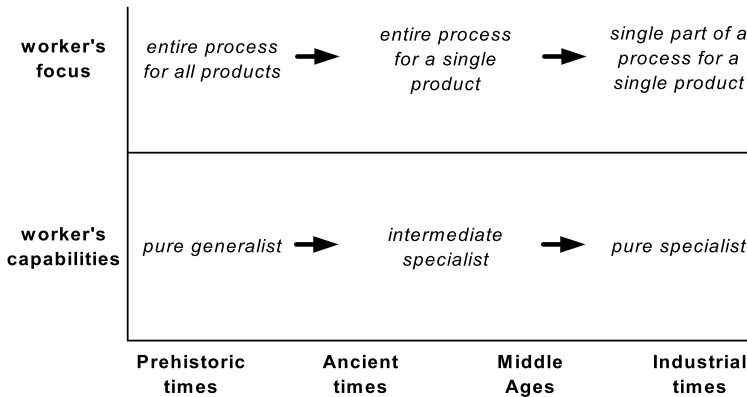


Fig. 1.2 How the process moved out of focus through the ages

1.3 Origins and History of BPM

To better understand why organizations engage in BPM and what benefits it brings to them, it is worth looking at the reasons why BPM has emerged and evolved over time. Below we look into the drivers of the BPM discipline from a historical perspective. We start with the emergence of functional organizations, continue with the introduction of process thinking, towards the innovations and failures of business process re-engineering. This discussion provides the basis for the definition of the BPM lifecycle afterwards.

1.3.1 The Functional Organization

The key idea of BPM is to focus on processes when organizing and managing work in an organization. This idea may seem intuitive and straightforward at first glance. Indeed, if one is concerned with the quality of a particular product or service and the speed of its delivery to a customer, why not consider the very steps that are necessary to produce it? Even though intuitive, it took several evolutionary steps before this idea became integral part of the work structures of organizations. Figure 1.2 provides an overview of some historical developments relevant to BPM.

In prehistoric times, humans mostly supported themselves or the small groups they lived in by producing their own food, tools, and other items. In such early societies, the consumers and producers of a given good were often the same persons. In industrial terms, people carried out their own production processes. As a result, they had knowledge of how to produce many different things. In other words, they were generalists.

In ancient times, in parallel with the rise of cities and city states, this work structure based on generalists started to evolve towards what can be characterized as an *intermediate level of specialism*. People started to specialize in the art of delivering

one specific type of goods, such as pottery, or providing one particular type of services, such as lodging for travelers. This widespread development towards a higher level of specialism of the workforce culminated in the guilds of the craftsmen during the Middle Ages. These guilds were essentially groups of merchants and artisans concerned with the same economic activity, such as barbers, shoemakers, masons, surgeons, and sculptors. Workers in this time would have a good understanding of an entire process that they were involved in, but not so much about the processes that produced the goods or services they obtained from others.

This higher degree of specialization of the medieval worker shifted further towards a form of pure specialization during the Second Industrial Revolution, between the second half of the 19th century and the First World War. A name that is inseparably linked to it is that of Frederick W. Taylor (1856–1915), who proposed a set of principles known as *scientific management*. A key element in Taylor's approach was an extreme form of labor division. By meticulously studying labor activities, such as the individual steps that were required to handle pig iron in steel mills, Taylor developed very specific work instructions for laborers. Laborers would only be involved with carrying out one of the many steps in the production process. Not only in industry, but also in administrative settings, such as government organizations, the concept of division of labor became the most dominant form of organizing work. The upshot of this development was that workers became pure specialists who would be concerned with only a single part of one business process.

A side-effect of the ideas of Taylor and his contemporaries was the emergence of an altogether new class of professionals, that of *managers*. After all, someone needed to oversee the productivity of groups of workers concerned with the same part of a production process. Managers were responsible for pinning down the productivity goals for individual workers and making sure that such goals were met. In contrast to the masters of the medieval guilds, who could only attain such a rank on the basis of a masterpiece produced by themselves, managers are not necessarily experts in carrying out the job they oversee. Their main interest is to optimize how a job is done with the resources under their supervision.

After the emergence of managers, organizations became structured along the principles of labor division. A next and obvious challenge arose then: How to differentiate between the responsibilities of all these managers? The solution was to create functional units in which people with a similar focus on part of the production process were grouped together. These units were overseen by managers with different responsibilities. Moreover, the units and their managers were structured hierarchically: for example, groups are under departments, departments are under business units, etc. What we see here is the root of the functional units that are familiar to us today when we think about organizations: purchasing, sales, warehousing, finance, marketing, human resource management, etc.

The *functional organization* that emerged from the mindset of the Second Industrial Revolution, dominated the corporate landscape for the greatest part of the 19th and 20th centuries. Towards the end of the 1980s, however, major American companies such as IBM, Ford, and Bell Atlantic (now Verizon) came to realize that their emphasis on functional optimization was creating inefficiencies in their operations that were affecting their competitiveness. Costly projects that introduced

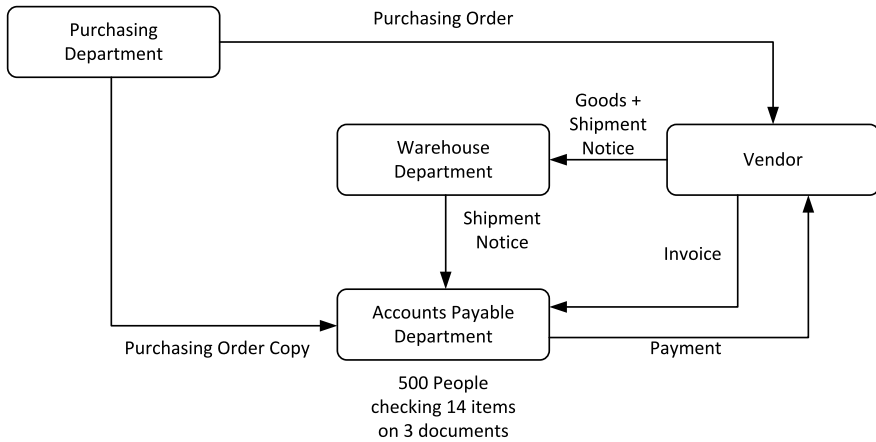


Fig. 1.3 Purchasing process at Ford at the initial stage

new IT systems or reorganized work within a functional department with the aim of improving its efficiency, were not notably helping these companies to become more competitive. It seemed as if customers remained oblivious to these efforts and continued to take their business elsewhere, for example to Japanese competitors.

1.3.2 *The Birth of Process Thinking*

One of the breakthrough events for the development of BPM was Ford's acquisition of a big financial stake in Mazda during the 1980s. When visiting Mazda's plants, one of the things that observant Ford executives noticed was that units within Mazda seemed considerably understaffed in comparison with comparable units within Ford, yet operated normally. A famous case study illustrating this phenomenon, first narrated by Michael Hammer [26] and subsequently analyzed by many others, deals with Ford's purchasing process. Figure 1.3 depicts the way purchasing was done within Ford at the time.

Every purchase that Ford would make needed to go through the purchasing department. On deciding that a particular quantity of products indeed had to be purchased, this department sent out an order to the vendor in question. It would also send a copy of that order to accounts payable. When the vendor followed up, the ordered goods would be delivered at Ford's receiving warehouse. Along with the goods came a shipping notice, which was passed on to accounts payable. The vendor would also send out an invoice to accounts payable directly.

Against this background, it becomes clear that the main task of accounts payable was to check the consistency between three different documents (purchase order copy, shipping notice, invoice), where each document consists of roughly 14 data items (type of product, quantity, price, etc.). Not surprisingly, various types of discrepancy were discovered every day and sorting out these discrepancies occupied

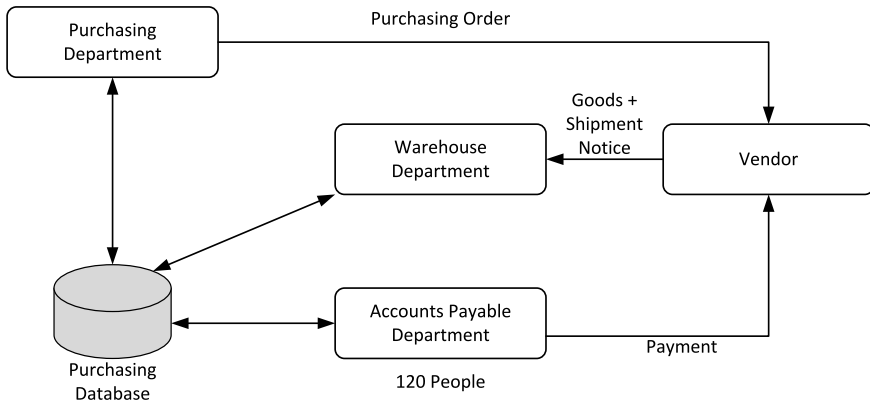


Fig. 1.4 Purchasing process at Ford after redesign

several hundred people within Ford. In contrast, at Mazda only five people worked at this department, while Mazda was not 100 times smaller than Ford in any relevant measure. Fundamentally, the problem is that Ford was detecting and resolving with problems (in this case discrepancies) one by one, while Mazda instead was avoiding the discrepancies in the first place. After a more detailed comparison with Mazda, Ford carried out several changes in its own purchasing process, leading to the redesigned process depicted in Fig. 1.4.

First of all, a central database was developed to store information on purchases. This database was used by the purchasing department to store all the information on purchase orders. This database replaced one of the original paper streams. Secondly, new computer terminals were installed at the warehouse department which gave direct access to that database. When goods arrived, the warehouse personnel could immediately check whether the delivery actually matched what was originally purchased. If this was not the case, the goods were simply not accepted: this put the onus on the vendor to ensure that what was delivered was what was requested and nothing else. In cases where a match was found between the delivered goods and the recorded purchase order, the acceptance of the goods was registered. So, the only thing left to do for accounts payable was to pay what was agreed upon in the original purchase order. Following this new set-up, Ford managed to bring down their workforce in accounts payable from roughly 500 people down to 120 people (a 76 % reduction).

Exercise 1.2 Consider the purchasing process at Ford.

1. Who are the actors in this process?
2. Which actors can be considered to be the customer (or customers) in this process?
3. What value does the process deliver to its customer(s)?
4. What are the possible outcomes of this process?

A key element in this case study is that a problematic performance issue (i.e. an excessive amount of time and resources spent on checking documents in accounts payable) is approached by considering an entire process. In this case, the accounts payable department plays an important role in the overall purchasing process, but the process also involves tasks by staff at the purchasing department, the warehouse, and by the vendor. Regardless of these barriers, changes are made across the process and these changes are multi-pronged: They include informational changes (information exchanges), technological changes (database, terminals), and structural changes (checks, policies).

This characteristic view on how to look at organizational performance was put forward in a seminal article by Tom Davenport and James Short [11]. In this article, the authors urged managers to look at entire processes when trying to improve the operations of their business, instead of looking at one particular task or business function. Various cases were discussed where indeed this particular approach proved to be successful. In the same paper, the important role of IT was emphasized as an enabler to come up with a redesign of existing business processes. Indeed, when looking at the Ford–Mazda example it would seem difficult to change the traditional procedure without the specific qualities of IT, which in general allows access to information in a way that is independent of time and place.

1.3.3 The Rise and Fall of BPR

The work by Davenport and Short, as well as that of others, triggered the emergence and widespread adoption of a management concept that was referred to as *Business Process Redesign* or *Business Process Re-engineering*, often conveniently abbreviated to *BPR*. Numerous white papers, articles, and books appeared on the topic throughout the 1990s and companies all over the world assembled BPR teams to review and redesign their processes.

The enthusiasm for BPR faded down, however, by the late 1990s. Many companies terminated their BPR projects and stopped supporting further BPR initiatives. What had happened? In a retrospective analysis, a number of factors can be distinguished:

1. **Concept misuse:** In some organizations, about every change program or improvement project was labeled BPR even when business processes were not the core of these projects. During the 1990s, many corporations initiated considerable reductions of their workforce (downsizing) which, since they were often packaged as process redesign projects, triggered intense resentment among operational staff and middle management against BPR. After all, it was not at all clear that operational improvement was really driving such initiatives.
2. **Over-radicalism:** Some early proponents of BPR, including Michael Hammer, emphasized from the very start that redesign had to be radical, in the sense that a new design for a business process had to overhaul the way the process was initially organized. A telling indication is one of Michael Hammer's early papers

on this subject which bore the subtitle: “Don’t automate, Obliterate”. While a radical approach may be justified in some situations, it is clear that many other situations require a much more gradual (incremental) approach.

3. Support immaturity: Even in projects that were process-centered from the start and took a more gradual approach to improving the business process in question, people ran into the problem that the necessary tools and technologies to implement such a new design were not available or sufficiently powerful. One particular issue centered around the fact that much logic on how processes had to unfold were hard-coded in the supporting IT applications of the time. Understandably, people grew frustrated when they noted that their efforts on redesigning a process were thwarted by a rigid infrastructure.

Subsequently, two key events revived some of the ideas behind BPR and laid the foundation for the emergence of BPM. First of all, empirical studies appeared showing that organizations that were process-oriented—that is, organizations that sought to improve processes as a basis for gaining efficiency and satisfying their customers—factually did better than non-process-oriented organizations. While the initial BPR guru’s provided compelling case studies, such as the one on Ford–Mazda, it remained unclear to many whether these were exceptions rather than the rule. In one of the first empirical studies on this topic, Kevin McCormack [49] investigated a sample of 100 US manufacturing organizations and found that process-oriented organizations showed better overall performance, tended to have a better esprit de corps in the workplace, and suffered less from inter-functional conflicts. Follow-up studies confirmed this picture, giving renewed credibility to process thinking.

A second important development was technological in nature. Different types of IT system emerged, most notably Enterprise Resource Planning (ERP) systems and Workflow Management Systems (WfMSs). ERP systems are essentially systems that store all data related to the business operations of a company in a consistent manner, so that all stakeholders who need access to these data can gain such access. This idea of a single shared and centralized database enables the optimization of information usage and information exchanges, which is a key enabler of process improvement (cf. Chap. 8).¹ WfMSs on the other hand are systems that distribute work to various actors in a company on the basis of process models. By doing so, a WfMS make it easier to implement changes to business processes (e.g. to change the order in which steps are performed) because the changes made in the process model can be put into execution with relative ease, compared to the situation where the rules for executing the process are hard-coded inside complex software systems and buried inside tens of thousands of lines of code. Also, a WfMS very closely supports the idea of working in a process-centered manner.

¹In reality, ERP systems are much more than a shared database. They also incorporate numerous modules to support typical functions of an organization such as accounting, inventory management, production planning, logistics, etc. However, from the perspective of process improvement, the shared database concept behind ERP systems is a major enabler.

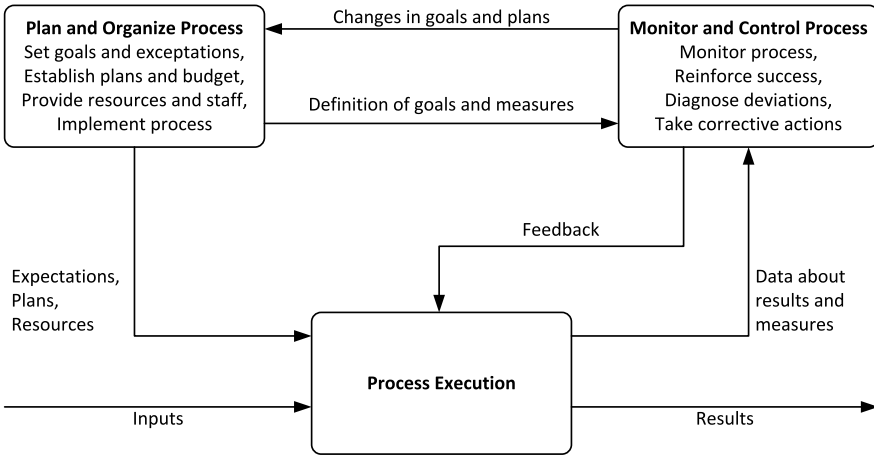


Fig. 1.5 Job functions of a manager responsible for a process (a.k.a. process owner)

Originally, WfMSs were concerned mainly with routing work between human actors. Later on, these systems were little by little extended with modules to monitor and analyze the execution of business processes. In parallel, the emergence of Web services made it easier to connect a WfMS with other systems, in particular ERP systems. As WfMSs became more sophisticated and better integrated with other enterprise systems, they became known as Business Process Management Systems (BPMSs). The functionality of BPMSs and their role in the automation of business processes will be discussed in Chap. 9.

The above historical view suggests that BPM is a revival of BPR, as indeed BPM adopts the process-centered view on organizations. Some caution is due though when BPR and BPM are being equated. The relation is much better understood on the basis of Fig. 1.5.

This figure shows that a manager that is responsible for a business process—also called the *process owner*—is concerned with planning and organizing the process on the one hand and monitoring the process on the other. The figure allows us to explain the differences in *scope* between BPR and BPM. While both approaches take the business process as a starting point, BPR is primarily concerned with planning and organizing the process. By contrast, BPM provides concepts, methods, techniques, and tools that cover all aspects of managing a process—plan, organize, monitor, control—as well as its actual execution. In other words, BPR should be seen as a subset of techniques that can be used in the context of BPM.

This discussion highlights that BPM encompasses the entire lifecycle of business processes. Accordingly, the next section provides an overview of the concepts, methods, techniques, and tools that compose the BPM discipline through the lens of the *BPM lifecycle*. This lens provides a structured view of how a given process can be managed.

1.4 The BPM Lifecycle

In general, the first question that a team embarking on a BPM initiative needs to clarify is “what business processes are we intending to improve”? Right at the outset and before the possibility of applying BPM is put on the table, there will probably already be an idea of what operational problems the team has to address and what business processes are posing those operational problems. In other words, the team will not start from scratch. For example, if the problem is that site engineers complain that their job is being hampered by difficulties in securing construction equipment when needed, and knowing that this equipment is to a large extent rented, it is clear that this problem should be addressed by looking at the equipment rental process. Still, one has to delimit this process. In particular, one has to answer questions such as: Does the process start right from the moment when rental suppliers are selected? Does it end when the rented equipment is delivered to the construction site or does it end when the equipment is returned back to the supplier, or does it continue until the fee for equipment rental has been paid to the supplier?

These questions might be easy or hard to answer depending on how much *process thinking* has taken place in the organization beforehand. If the organization has engaged in BPM initiatives before, it is likely that an inventory of business processes is available and that the scope of these processes has been defined, at least to some extent. In organizations that have not engaged in BPM before, the BPM team has to start by at least identifying the processes that are relevant to the problem on the table, delimiting the scope of these processes, and identifying relations between these processes, such as for example part-of relations (i.e. one process being part of another process). This initial phase of a BPM initiative is termed *process identification*. This phase leads to a so-called *process architecture*, which typically takes the form of a collection of processes and links between these processes representing different types of relation.

In general, the purpose of engaging in a BPM initiative is to ensure that the business processes covered by the BPM initiative lead to consistently positive outcomes and deliver maximum value to the organization in servicing its clients. Measuring the *value* delivered by a process is a crucial step in BPM. As renowned software engineer, Tom DeMarco, once famously put it: “You can’t control what you can’t measure”. So before starting to analyze any process in detail, it is important to clearly define the *process performance measures* (also called *process performance metrics*) that will be used to determine whether a process is in “good shape” or in “bad shape”.

Cost-related measures are a recurrent class of measures in the context of BPM. For example, coming back to the equipment rental process, a possible performance measure is the total cost of all equipment rented by BuildIT per time interval (e.g. per month). Another broad and recurrent class of measures are those related to time. An example is the average amount of time elapsed between the moment an equipment rental request is submitted by a site engineer and the delivery of the equipment to the construction site. This measure is generally called *cycle time*. Finally, a third class of recurrent measures are those related to quality, and specifically error rates.

Error rate is the percentage of times that an execution of the process ends up in a negative outcome. In the case of the equipment rental process, one such measure is the number of pieces of equipment returned because they are unsuitable, or due to defects in the delivered equipment. The identification of such performance measures (and associated performance objectives) is crucial in any BPM initiative. This identification is generally seen as part of the process identification phase, although in some cases it may be postponed until later phases.

Exercise 1.3 Consider the student admission process described in Exercise 1.1. Taking the perspective of the customer, identify at least two performance measures that can be attached to this process.

Once a BPM team has identified which processes they are dealing with and which performance measures should be used, the next phase for the team is to understand the business process in detail. We call this phase *process discovery*. Typically, one of the outcomes of this phase is one or several *as-is* process models. These as-is process models should reflect the understanding that people in the organization have about how work is done. Process models are meant to facilitate communication between stakeholders involved in a BPM initiative. Therefore, they have to be easy to understand. In principle, we could model a business process by means of textual descriptions, like the textual description in Example 1.1. However, such textual descriptions are cumbersome to read and easy to misinterpret because of the ambiguity inherent in free-form text. This is why it is common practice to use diagrams in order to model business processes. Diagrams allow us to more easily comprehend the process. Also, if the diagram is made using a notation that is understood by all stakeholders, there is less room for any misunderstanding. Note that these diagrams may still be complemented with textual descriptions in fact it is common to see analysts documenting a process using a combination of diagrams and text.

There are many languages for modeling business processes diagrammatically. Perhaps one of the oldest ones are *flowcharts*. In their most basic form, flowcharts consist of rectangles, representing activities, and diamonds, representing points in the process where a decision is made. More generally, we can say that regardless of the specific notation used, a diagrammatic process model typically consists of two types of node: activity nodes and control nodes. Activity nodes describe units of work that may be performed by humans or software applications, or a combination thereof. Control nodes capture the flow of execution between activities. Although not all process modeling languages support it, a third important type of element in process models are event nodes. An event node tells us that something may or must happen, within the process or in the environment of the process, that requires a reaction, like for example the arrival of a message from a customer asking to cancel their purchase order. Other types of node may appear in a process model, but we can say that activity nodes, event nodes and control nodes are the most basic ones.

Several extensions of flowcharts exist, like cross-organizational flowcharts, where the flowchart is divided into so-called *swimlanes* that denote different organizational units (e.g. different departments in a company). If you are familiar with the

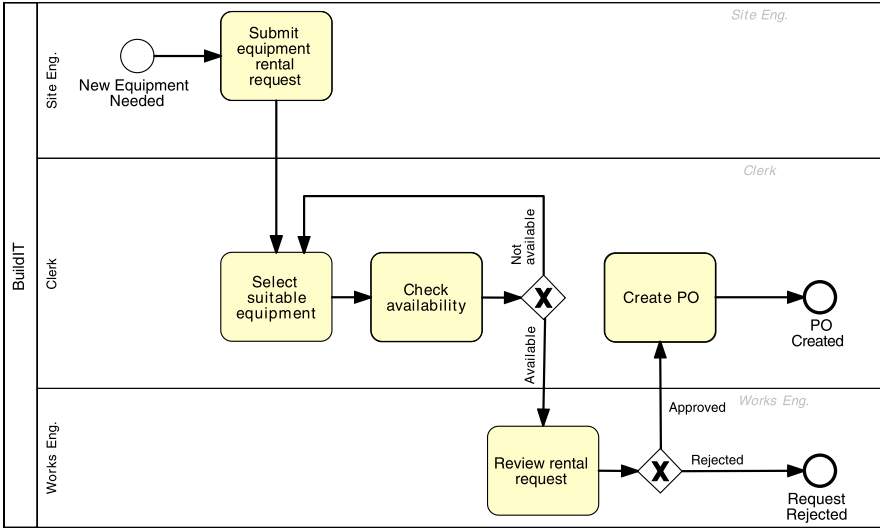


Fig. 1.6 Process model for an initial fragment of the equipment rental process

Unified Modeling Language (UML), you probably will have come across *UML Activity Diagrams*. At their core, UML Activity Diagrams are cross-organizational flowcharts. However, UML Activity Diagrams go beyond cross-organizational flowcharts by providing symbols to capture data objects, signals and parallelism among other aspects. Yet another language for process modeling are *Event-driven Process Chains (EPCs)*. EPCs have some similarities with flowcharts but they differ from flowcharts in that they treat events as first-class citizens. Other languages used for process modeling include data-flow diagrams and *IDEF3*, just to name two.

It would be mind-boggling to try to learn all these languages at once. Fortunately, nowadays there is a widely used standard for process modeling, namely the Business Process Model and Notation (BPMN). The latest version of BPMN is BPMN 2.0. It was released as a standard by the Object Management Group (OMG) in 2011. In BPMN, activities are represented as rounded rectangles. Control nodes (called *gateways*) are represented using diamond shapes. Activities and control nodes are connected by means of arcs (called flows) that determine the order in which the process is executed. Figure 1.6 provides a model representing an initial fragment of the equipment rental process, up to the point where the works engineer accepts or rejects the equipment rental request. This process model shows two decision points. In the first one, the process takes one of two paths depending on whether the equipment is available or not. In the second, the equipment rental request is either approved or rejected. The model also shows the process participants involved in this fragment of the process, namely the site engineer, the clerk and the works engineer. Each of these participants is shown as a separate *lane* containing the activities performed by the participant in question.

The process model in Fig. 1.6 is captured at a high level of abstraction. At best, it can serve to give to an external person a summary of what happens in this process. In some cases, however, the model needs more details for it to be useful. Which additional details should be included in a process model depends on the purpose. Oftentimes, process models are intended to serve as documentation of the way an organization works. In this case, the key characteristics of process models are simplicity and understandability. Accordingly, additional text annotations might be added to the process model to clarify the meaning of certain activities or events, but beyond such annotations, not much additional detail would be added. In other cases, process models are intended to be analyzed in detail, for example in order to measure process performance. In this case, further details may be required such as how much time each task takes (on average). Finally, in a few cases, process models are intended to be deployed into a BPMS for the purpose of coordinating the execution of the process (cf. Sect. 1.3.3). In the latter case, the model needs to be extended with a significant amount of details regarding the inputs and outputs of the process and each its activities.

Having understood the as-is process in detail, the next step is to identify and analyze the issues in this process. One potential issue in BuildIT's equipment rental process is that the cycle time is too high. As a result, site engineers do not manage to get the required equipment on time. This may cause delays in various construction tasks, which may ripple down into delays in the construction projects. In order to analyze these issues, an analyst would need to collect information about the time spent in each task of the process, including both the amount of time that process participants spend actually doing work and the amount of idle time, meaning the amount of time when the equipment request is blocked, waiting for something to happen. This idle time is also called *waiting time*. Also, the analyst would need to gather information regarding the amount of rework that takes place in the process. Here, rework means that one or several tasks are repeated because something went wrong. For example, when the clerk identifies a suitable piece of equipment in a supplier's catalog, but later finds out that the piece of equipment is not available on the required dates, the clerk might need to search again for an alternative piece of equipment from another supplier. Valuable time is spent by the clerk going back and forth between consulting the catalogs and contacting the suppliers to check the availability of plants. In order to analyze this issue, the analyst would need to find out in what percentage of cases the availability check fails and thus how often the clerk needs to do some rework in order to identify alternative pieces of equipment and check for their availability. Given this information, a process analyst can employ various techniques to be discussed throughout this book, in order to trace down the cause(s) of long cycle times and to identify ways of changing the process in order to reduce the cycle time.

Another potential issue in BuildIT's equipment rental process is that sometimes the equipment delivered at the construction site is unsuitable, and the site engineer has to reject it. This is an example of a negative outcome. To analyze this issue, an analyst would need to find out how often such negative outcomes are occurring. Secondly, the analysts would need to obtain information that would allow them to understand why such negative outcomes are happening. In other words, where

did things go wrong in the first place? Sometimes, this negative outcome might stem from miscommunication, for example between the site engineer and the clerk. Otherwise it might come from inaccurate data (e.g. errors in the description of the equipment) or from an error on the supplier's side. Only by identifying, classifying and ultimately understanding the main causes of such negative outcomes can an analyst find out what would be the most suitable way of addressing this issue. The identification and assessment of issues and opportunities for process improvement is hereby called the *process analysis* phase.

We observe that the two issues discussed above are tightly related to performance measures. For example, the first issue above is tied to cycle time and waiting time, both of which are typical performance measures of a process. Similarly, the second issue is tied to the “percentage of equipment rejections”, which is essentially an error rate—another typical performance measure. Thus, assessing the issues of a process often goes hand-in-hand with measuring the current state of the process with respect to certain performance measures.

Exercise 1.4 Consider again the student admission process described in Exercise 1.1. Taking the perspective of the customer, think of at least two issues that this process might have.

Once issues in a process have been analyzed and possibly quantified, the next phase is to identify and analyze potential remedies for these issues. At this point, the analyst will consider multiple possible options for addressing a problem. In doing so, the analyst needs to keep in mind that a change in a process to address one issue may potentially cause other issues down the road. For example, in order to speed-up the equipment rental process, one might think of removing the approval steps involving the works engineer. If pushed to the extreme, however, this change would mean that the rented equipment might sometimes not be optimal since the works engineer viewpoint is not taken into account. The works engineer has a global view on the construction projects and may be able to propose alternative ways of addressing the equipment needs of a construction project in a more effective manner.

Changing a process is not as easy as it sounds. People are used to work in a certain way and might resist changes. Furthermore, if the change implies modifying the information system(s) underpinning the process, the change may be costly or may require changes not only in the organization that coordinates the process, but also in other organizations. For example, one way to eliminate the rework that the clerk has to do when checking for availability of equipment, would be that the suppliers provide information regarding the availability of plants. This way, the clerk would use the same interface to search for suitable equipment and to check the availability of the equipment for the required period of time. However, this change in the process would require that the suppliers change their information system, so that their system exposes up-to-date equipment availability information to BuildIT. This change is at least partially outside the control of BuildIT. Assuming that suppliers would be able to make such changes, a more radical solution that could be considered would be to provide mobile devices and Internet connection to the site engineers, so

that they can consult the catalog of equipment (including availability information) anytime and anywhere. This way, the clerk would not need to be involved in the process during the equipment search phase, therefore avoiding miscommunications between the site engineer and the clerk. Whether or not this more radical change is viable would require an in-depth analysis of the cost of changing the process in this way versus the benefits that such change would provide.

Exercise 1.5 Given the issues in the admissions process identified in Exercise 1.4, what possible changes do you think could be made to this process in order to address these issues?

Equipped with an understanding of one or several issues in a process and a candidate set of potential remedies, analysts can propose a redesigned version of the process, in other words a *to-be* process which would address the issues identified in the as-is process. This to-be process is the main output of the *process redesign phase*. Here, it is important to keep in mind that analysis and redesign are intricately related. There may be multiple redesign options and each of these options needs to be analyzed, so that an informed choice can be made as to which option should be chosen.

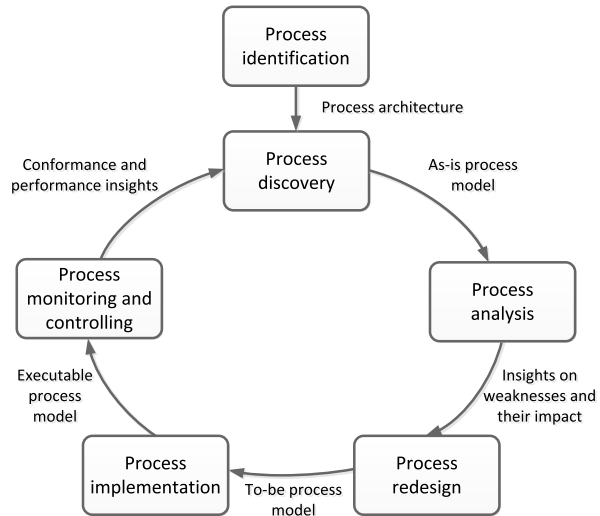
Once redesigned, the necessary changes in the ways of working and the IT systems of the organization should be implemented so that the to-be process can eventually be put into execution. This phase is called *process implementation*. In the case of the equipment rental process, the process implementation phase would mean putting in place an information system to record and to track equipment rental requests, POs associated to approved requests and invoices associated to these POs. Deploying such an information system means not only developing the IT components of this system. It would also relate to training the process participants so that they perform their work in the spirit of the redesigned process and make the best use of the IT components of the system.

More generally, process implementation may involve two complementary facets: *organizational change management* and *process automation*. Organizational change management refers to the set of activities required to change the way of working of all participants involved in the process. These activities include:

- Explaining the changes to the process participants to the point that they understand both what changes are being introduced and why these changes are beneficial to the company.
- Putting in place a change management plan so that stakeholders know when will the changes be put into effect and what transitional arrangements will be employed to address problems during the transition to the to-be process.
- Training users to the new way of working and monitoring the changes in order to ensure a smooth transition to the to-be process.

On the other hand, process automation involves the configuration or implementation of an IT system (or the re-configuration of an existing IT system) to support the “to-be” process. This system should support process participants in the performance

Fig. 1.7 BPM lifecycle



of the tasks of the process. This may include assigning tasks to process participants, helping process participants to prioritize their work, providing process participants with the information they need to perform a task, and performing automated cross-checks and other automated tasks where possible. There are several ways to implement such an IT system. This book focuses on one particular approach, which consists of extending the to-be process model obtained from the process redesign phase in order to make it executable by a BPMS (cf. Sect. 1.3.3).

Over time, some adjustments might be required because the implemented business process does not meet expectations. To this end, the process needs to be monitored and analysts ought to scrutinize the data collected by monitoring the process in order to identify needed adjustments to better control the execution of the process. These activities are encompassed by the *process monitoring and controlling* phase. This phase is important because addressing one or a handful of issues in a process is not the end of the story. Instead, managing a process requires a continuous effort. Lack of continuous monitoring and improvement of a process leads to degradation. As Michael Hammer once put it: “every good process eventually becomes a bad process”, unless continuously adapted and improved to keep up with the ever-changing landscape of customer needs, technology and competition. This is why the phases in the BPM lifecycle should be seen as being circular: the output of monitoring and controlling feeds back into the discovery, analysis and redesign phases.

To sum up, we can view BPM as continuous cycle comprising the following phases (see Fig. 1.7):

- *Process identification.* In this phase, a business problem is posed, processes relevant to the problem being addressed are identified, delimited and related to each other. The outcome of process identification is a new or updated process architecture that provides an overall view of the processes in an organization and their relationships. In some cases, process identification is done in parallel with per-

formance measure identification. In this book, however, we will associate performance measure identification with the process analysis phase, given that performance measures are often used for process analysis.

- *Process discovery (also called as-is process modeling)*. Here, the current state of each of the relevant processes is documented, typically in the form of one or several as-is process models.²
- *Process analysis*. In this phase, issues associated to the as-is process are identified, documented and whenever possible quantified using performance measures. The output of this phase is a structured collection of issues. These issues are typically prioritized in terms of their impact, and sometimes also in terms of the estimated effort required to resolve them.
- *Process redesign (also called process improvement)*. The goal of this phase is to identify changes to the process that would help to address the issues identified in the previous phase and allow the organization to meet its performance objectives. To this end, multiple change options are analyzed and compared in terms of the chosen performance measures. This entails that process redesign and process analysis go hand-in-hand: As new change options are proposed, they are analyzed using process analysis techniques. Eventually, the most promising change options are combined, leading to a redesigned process. The output of this phase is typically a to-be process model, which serves as a basis for the next phase.
- *Process implementation*. In this phase, the changes required to move from the as-is process to the to-be process are prepared and performed. Process implementation covers two aspects: organizational change management and process automation. Organizational change management refers to the set of activities required to change the way of working of all participants involved in the process. Process automation on the other hand refers to the development and deployment of IT systems (or enhanced versions of existing IT systems) that support the to-be process. In this book, our focus with respect to process implementation is on process automation, as organizational change management is an altogether separate field. More specifically, the book presents one approach to process automation wherein an executable process model is derived from the to-be process model and this executable model is deployed in a BPMS.
- *Process monitoring and controlling*. Once the redesigned process is running, relevant data are collected and analyzed to determine how well is the process performing with respect to its performance measures and performance objectives. Bottlenecks, recurrent errors or deviations with respect to the intended behavior are identified and corrective actions are undertaken. New issues may then arise, in the same or in other processes, requiring the cycle to be repeated on a continuous basis.

²This phase is also called *process design* in the literature. However, process discovery is arguably a more appropriate term since the process already exists, at least implicitly in the heads of the actors who perform it. The goal of this phase is generally to discover the process rather than to design it. In rare cases (e.g. new companies) no process is yet in place so the discovery and analysis phases are not required and the process has to be designed for the first time rather than redesigned.

The BPM lifecycle helps to understand the role of technology in BPM. Technology in general, and especially Information Technology (IT), is a key instrument to improve business processes. Not surprisingly, IT specialists such as system engineers often play a significant role in BPM initiatives. However, to achieve maximum efficacy, system engineers need to be aware that technology is just one instrument for managing and executing processes. System engineers need to work together with process analysts in order to understand what the main issues affecting a given process, and how to best address these issues, be it by means of automation or by other means. As a renowned technology businessman, Bill Gates, once famously put it: “The first rule in any technology used in a business is that automation applied to an efficient operation will magnify the efficiency. The second is that automation applied to an inefficient operation will magnify the inefficiency”. This means that learning how to design and improve processes—and not only how to build an IT system to automate a narrow part of a business process—is a fundamental skill that should be in the hands of any IT graduate. Reciprocally, business graduates need to understand how technology, and particularly IT, can be used to optimize the execution of business processes. This book aims at bridging these two viewpoints by presenting an integrated viewpoint covering the whole BPM lifecycle.

A complementary viewpoint on the BPM lifecycle is given by the box “Stakeholders in the BPM lifecycle”. This box summarizes the roles in a company that are directly or indirectly involved in BPM initiatives.³ The list of roles described in the box highlights the fact that BPM is inter-disciplinary. A typical BPM initiative involves managers at different levels in the organization, administrative and field workers (called process participants in the box), business and system analysts and IT teams. Accordingly, the book aims at giving a balanced view of techniques both from management science and IT, as they pertain to BPM.

STAKEHOLDERS IN THE BPM LIFECYCLE

There are different stakeholders involved with a business process throughout its lifecycle. Among them we can distinguish the following individuals and groups.

- *Management Team.* Depending on how the management of a company is organized, one might find the following positions. The *Chief Executive Officer (CEO)* is responsible for the overall business success of the company. The *Chief Operations Officer (COO)* is responsible for defining the way operations are set-up. In some companies, the COO is also responsible for process performance, while in other companies, there is a dedicated posi-

³The role of the customer is not listed in the box as this role is already discussed in previous sections.

tion of *Chief Process Officer (CPO)* for this purpose. The *Chief Information Officer (CIO)* is responsible for the efficient and effective operation of the information system infrastructure. In some organizations, process redesign projects are driven by the CIO. The *Chief Financial Officer (CFO)* is responsible for the overall financial performance of the company. The CFO may also be responsible for certain business processes, particularly those that have a direct impact on financial performance. Other management positions that have a stake in the lifecycle of processes include the *Human Resources (HR) director*. The HR director and their team play a key role in processes that involve significant numbers of process participants. In any case, the management team is responsible for overseeing all processes, initiating process redesign initiatives, and providing resources and strategic guidance to stakeholders involved in all phases of the business process lifecycle.

- *Process Owners*. A process owner is responsible for the efficient and effective operation of a given process. As discussed in the context of Fig. 1.5, a process owner is responsible on the one hand for planning and organizing, and on the other hand for monitoring and controlling the process. In their planning and organizing role, the process owner is responsible for defining performance measures and objectives as well as initiating and leading improvement projects related to their process. They are also responsible for securing resources so that the process runs smoothly on a daily basis. In their monitoring and controlling role, process owners are responsible for ensuring that the performance objectives of the process are met and taking corrective actions in case they are not met. Process owners also provide guidance to process participants on how to resolve exceptions and errors that occur during the execution of the process. Thus, the process owner is involved in process modeling, analysis, redesign, implementation and monitoring. Note that the same individual could well be responsible for multiple processes. For example, in a small company, a single manager might be responsible both for the company's order-to-cash process and for the after-sales customer service process.
- *Process Participants*. Process participants are human actors who perform the activities of a business process on a day-to-day basis. They conduct routine work according to the standards and guidelines of the company. Process participants are coordinated by the process owner, who is responsible to deal with non-routine aspects of the process. Process participants are also involved as domain experts during process discovery and process analysis. They support redesign activities and implementation efforts.
- *Process Analysts*. Process analysts conduct process identification, discovery (in particular modeling), analysis and redesign activities. They coordinate process implementation as well as process monitoring and controlling. They report to management and process owners and closely interact

with process participants. Process analysts typically have one of two backgrounds. Process analysts concerned with organizational requirements, performance, and change management have a business background. Meanwhile, process analysts concerned with process automation have an IT background.

- *System Engineers*. System engineers are involved in process redesign and implementation. They interact with process analysts to capture system requirements. They translate requirements into a system design and they are responsible for the implementation, testing and deployment of this system. System engineers also liaise with the process owner and process participants to ensure that the developed system supports their work in an effective manner. Oftentimes, system implementation, testing and deployment are outsourced to external providers, in which case the system engineering team will at least partially consist of contractors.
- The *BPM Group* (also called *BPM Centre of Excellence*). Large organizations that have been engaged in BPM for several years would normally have accumulated valuable knowledge on how to plan and execute BPM projects as well as substantial amounts of process documentation. The BPM Group is responsible for preserving this knowledge and documentation and ensuring that they are used to meet the organization's strategic goals. Specifically, the BPM group is responsible for maintaining the process architecture, prioritizing process redesign projects, giving support to the process owners and process analysts, and ensuring that the process documentation is maintained in a consistent manner and that the process monitoring systems are working effectively. In other words, the BPM group is responsible for maintaining a BPM culture and ensuring that this BPM culture is supporting the strategic goals of the organization. Not all organizations have a dedicated BPM Group. BPM Groups are most common in large organizations with years of BPM experience.

In the rest of the book, we will dive consecutively into each of the phases of the BPM lifecycle. Chapter 2 deals with the process identification phase. Chapters 3–4 provide an introduction to process modeling, which serves as background for subsequent phases in the BPM lifecycle. Chapter 5 deals with the process discovery phase. Chapters 6–7 present a number of process analysis techniques. We classify these techniques into qualitative (Chap. 6) and quantitative (Chap. 7) ones. A quantitative technique is one that takes raw data or measurements as input (e.g. performance measures at the level of tasks) and produces aggregated measurements and quantitative summaries as output. On the other hand, a qualitative technique involves human judgment, for example in order to classify tasks or issues according to subjective criteria. Note that qualitative techniques may involve quantitative assessment in addition to human judgment, as these two sources of insights often serve complementary purposes. Next, Chap. 8 gives an overview of process redesign techniques,

while Chap. 9 discusses process implementation with a focus on automation aspects. Finally, Chap. 10 introduces process intelligence tools and techniques, which form the backbone of modern process monitoring practices.

1.5 Recap

We should retain from this chapter that a process is a collection of events, activities and decisions that collectively lead to an outcome that brings value to an organization's customers. Every organization has processes. Understanding and managing these processes in order to ensure that they consistently produce value is a key ingredient for the effectiveness and competitiveness of organizations. Through its focus on processes, organizations are managing those assets that are most important to serve their customers well.

If we wanted to capture BPM in a nutshell, we could say that BPM is a body of principles, methods and tools to design, analyze, execute and monitor business processes. We have also seen that process models and performance measures can be seen as foundational pillars for managing processes. It is on top of them that much of the art and science of BPM builds upon. The provided definition encompasses the main phases of the BPM lifecycle and the various related disciplines that complement BPM, such as Lean, Six Sigma and Total Quality Management. The aim of this chapter was to give a "sneak peek" of the activities and stakeholders involved in each of these phases. The rest of the book aims to shed light onto many of the principles and methods that are used in each of these phases.

1.6 Solutions to Exercises

Solution 1.1

1. Admissions officer, applicant, academic recognition agency and academic committee. The admissions office as an organizational unit can also be recognized as a separate actor.
2. The applicant.
3. One can argue that the *value* that the process provides to the applicant is the assessment of the application and the subsequent decision to accept or reject. In this case, the process delivers value both if the applicant is accepted or rejected, provided that the application is processed in due order. Another viewpoint would be to say that the process only gives value to the applicant only if the applicant is accepted, and not if the applicant is rejected. Arguments can be put forward in favor of either of these two viewpoints.
4. Applicant rejected due to incomplete documents; Applicant rejected due to English language test results; Applicant rejected due to assessment of academic recognition agency; Applicant rejected due to academic committee decision;

Applicant accepted. A more in-depth analysis could reveal other possible outcomes such as “Application withdrawn by applicant” or “Applicant conditionally accepted subject to providing additional documents”. However, there are not enough elements in the description of the process to determine if these latter outcomes are possible.

Solution 1.2

1. The unit with a purchasing need, purchasing department, the vendor, the warehouse, and the accounts payable department.
2. The unit with a purchasing need.
3. The *value* that the process provides to the unit with a purchasing need is the timely, accurate, and cost-efficient provision of a particular purchasing item. In this case, the process delivers value both if the need for purchasing item is satisfied by an timely, accurate, and cost-efficient shipment of a vendor, accompanied with an accurate payment procedure.
4. The shipment of goods can be accepted if accurate, leading to a corresponding payment, or they can be rejected if the amount or type of shipment is not correct.

Solution 1.3 Possible measures include:

1. Average time between the moment an application is received and the moment it is accepted or rejected (cycle time). Note that if the University advertises a pre-defined deadline for notifying acceptance/rejection, an alternative performance measure would be the percentage of times that this deadline is met.
2. Percentage of applications rejected due to incomplete documents. Here we could distinguish between two variants of this measure: one that counts all cases where applications are initially rejected due to incomplete documents, and another one that counts the number of cases where applications are rejected due to incomplete documents and where the applicant does not re-submit the completed application, for example because the deadline for applications has expired before the applicant gathers the required documents.
3. Percentage of applications rejected due to expired, invalid or low English language test results.
4. Percentage of applications rejected due to advice from academic recognition.
5. Percentage of accepted applications.

Note that the cost incurred by the University per application is not a measure that is relevant from the perspective of the applicant, but it may be relevant from the perspective of the University.

Solution 1.4 Possible issues include:

1. Long execution times
2. Inconvenience of gathering and submitting all required documents.
3. Potentially: mishandled applications due to handovers of paper documents between process participants.

Solution 1.5

To reduce cycle time as well as mishandled applications, applications could be shared in electronic format between admissions office and academic committee. To reduce inconvenience of submission, applications could be evaluated in two stages. The first stage would involve purely electronically submitted documents (e.g. scanned copies instead of physical copies). Only applicants accepted by the academic committee would then need to go through the process of submitting certified copies of degrees by post for verification by the academic recognition agency.

1.7 Further Exercises

Exercise 1.6 Consider the following process at a pharmacy.

Customers drop off their prescriptions either in the drive-through counter or in the front counter of the pharmacy. Customers can request that their prescription be filled immediately. In this case, they have to wait between 15 minutes and one hour depending on the current workload. Most customers are not willing to wait that long, so they opt to nominate a pick-up time at a later point during the day. Generally, customers drop their prescriptions in the morning before going to work (or at lunchtime) and they come back to pick up the drugs after work, typically between 5pm and 6pm. When dropping their prescription, a technician asks the customer for the pick-up time and puts the prescription in a box labeled with the hour preceding the pick-up time. For example, if the customer asks to have the prescription be ready at 5pm, the technician will drop it in the box with the label 4pm (there is one box for each hour of the day).

Every hour, one of the pharmacy technicians picks up the prescriptions due to be filled in the current hour. The technician then enters the details of each prescription (e.g. doctor details, patient details and medication details) into the pharmacy system. As soon as the details of a prescription are entered, the pharmacy system performs an automated check called *Drug Utilization Review* (DUR). This check is meant to determine if the prescription contains any drugs that may be incompatible with other drugs that had been dispensed to the same customer in the past, or drugs that may be inappropriate for the customer taking into account the customer data maintained in the system (e.g. age).

Any alarms raised during the automated DUR are reviewed by a pharmacist who performs a more thorough check. In some cases, the pharmacist even has to call the doctor who issued the prescription in order to confirm it.

After the DUR, the system performs an insurance check in order to determine whether the customer's insurance policy will pay for part or for the whole cost of the drugs. In most cases, the output of this check is that the insurance company would pay for a certain percentage of the costs, while the customer has to pay for the remaining part (also called the *co-payment*). The rules for determining how much the insurance company will pay and how much the customer has to pay are very complicated. Every insurance company has different rules. In some cases, the insurance policy does not cover one or several drugs in a prescription, but the drug in question can be replaced by another drug that is covered by the insurance policy. When such cases are detected, the pharmacist generally calls the doctor and/or the patient to determine if it is possible to perform the drug replacement.

Once the prescription passes the insurance check, it is assigned to a technician who collects the drugs from the shelves and puts them in a bag with the prescription stapled to it. After the technician has filled a given prescription, the bag is passed to the pharmacist who

double-checks that the prescription has been filled correctly. After this quality check, the pharmacist seals the bag and puts it in the pick-up area. When a customer arrives to pick up a prescription, a technician retrieves the prescription and asks the customer for payment in case the drugs in the prescription are not (fully) covered by the customer's insurance.

With respect to the above process, consider the following questions:

1. What type of process is the above one: order-to-cash, procure-to-pay or issue-to-resolution?
2. Who are the actors in this process?
3. What value does the process deliver to its customer(s)?
4. What are the possible outcomes of this process?
5. Taking the perspective of the customer, what performance measures can be attached to this process?
6. What potential issues do you foresee this process might have? What information would you need to collect in order to analyze these issues?
7. What possible changes do you think could be made to this process in order to address the above issues?

Acknowledgement This exercise is partly inspired by Andrew McAfee: “*Pharmacy Service Improvement at CVS (A)*”. Harvard Business Publishing, 2005.

Exercise 1.7 Consider the following process at a company of around 800 employees.

A purchase request is initiated when an employee at the company fills in and signs a form on paper. The purchase request includes information about the good to be purchased, the quantity, the desired delivery date, the approximate cost. The employee can also nominate a specific vendor. Employees often request quotes from vendors in order to get the required information. Completing the entire form can take a few days as the requestor often does not have the required data. The quote is attached to the purchase request. This completed request is signed by two supervisors. One supervisor has to provide a *financial approval*, while the other supervisor has to approve the necessity of the purchase and its conformance with company's policy (e.g. does a requested software form part of the standard operating environment?). Collecting the signatures from the two supervisors takes on average five days. If it is urgent, the employee can hand-deliver the form, otherwise it is circulated via internal mail. A rejected purchase request is returned to the employee. Some employees make some minor modifications and try in a second attempt other supervisors in order to get approval.

Once a purchase request is approved, it is returned to the employee who initiated the purchase requisition. The employee then forwards the form to the Purchasing Department. Many employees make a copy of the form for their own record, in case the form gets lost. The central purchasing Department checks the completeness of the purchase request and returns it to the employee if it is incomplete.

Based on attached quotes and other information, the purchasing Department enters the approved purchase request into the company's Enterprise System. If the employee has not nominated any vendors, a clerk at the purchasing Department will select one based either on the quotes attached to the purchase requisition, or based on the list of vendors (also called *Master Vendor List*) available in the company's Enterprise System.

Sometimes the initial quote attached to the request has expired in the meantime. In this case, updated quote is requested from the corresponding vendor. In other cases, the vendor

who submitted the quote is not recorded in the company's Enterprise System. In this case, the purchasing Department should give preference to other vendors who are registered in the Enterprise System. If no such vendors are available or if the registered vendors offer higher prices than the one in the submitted quote, the purchasing Department can add the new vendor into the Enterprise System.

When a vendor is selected, a purchase order is automatically generated by the Enterprise System. Then, a fax is generated and sent to the vendor. A copy of the purchase order is sent to Accounts Payable Office, which is part of the Financial Department, which uses an accounting system that is not integrated with the Enterprise System.

The goods are always delivered to the Goods Receipt Department. When a good is received, a clerk at this Department selects the corresponding purchase order in the Enterprise System. The clerk checks the quantity and quality and (in the positive case) generates a document called *goods receipt form* from the purchase order stored in the Enterprise System. The goods are then forwarded to the employee who initiated the purchase requisition. A print-out of the goods receipt form is sent to the Accounts Payable Office. If there are any issues with the good, it is returned to the vendor and a paper-based note is sent to the Purchasing Department and to the Accounts Payable Office.

The vendor eventually sends the invoice directly to the Accounts Payable Office. A clerk at this office compares the purchase order, the goods receipt and the invoice—a task that is usually called “three-way matching”. Three-way matching can be quite time-consuming. If there are any discrepancies as it has to be investigated, if it was an error of the vendor or a data entry error. The duration of the payment process unfortunately takes sometimes so long that the discount for paying in a certain period expires.

A bank transfer is finally triggered and a payment notice is sent to the vendor. Some vendors explicitly indicate in their invoice the bank account number where they want the transfer to occur. It may happen that the bank account number and name indicated in the invoice differs from the one recorded in the vendor database. Sometimes payments bounce back, in which case the vendor is contacted by phone, e-mail or postal mail. If new bank details are given, the transfer is attempted again. If the issue is still not resolved, the Accounts Payable Office has to contact again the vendor in order to trace the cause of the bounced payment.

1. What type of process is the above one: order-to-cash, procure-to-pay or issue-to-resolution?
2. Who are the actors in this process? Who is/are the customer(s)?
3. What value does the process deliver to its customer(s)?
4. What are the possible outcomes of this process?
5. Taking the perspective of the customer, what performance measures can be attached to this process?
6. What potential issues do you foresee this process might have? What information would you need to collect in order to analyze these issues?
7. What possible changes do you think could be made to this process in order to address the above issues?

Acknowledgement This exercise is adapted from a similar exercise developed by Michael Rosemann, Queensland University of Technology.

Exercise 1.8 Consider the phases of the BPM lifecycle. Which of these phases are no included in a business process re-engineering project?

1.8 Further Reading

Geary Rummler is considered one of the earliest advocates of process thinking as an approach to address the shortcomings of purely functional organizations. His work on process thinking, developed during the 1970s and 1980s, was popularized by a book co-authored with Alan Brache: “Improving Performance: How to Manage the White Space on the Organizational Chart” [80]. A paper published two decades later by Rummler and Ramias [81] gives a condensed summary of Rummler’s methodology for structuring organizations around processes.

Two key articles that popularized process thinking as a management concept are those of Hammer [26] and Davenport and Short [11] as discussed in this chapter. While Rummler’s work deals more broadly with structuring organizations based on processes, Hammer, Davenport and Short focus on how to redesign individual business processes to increase their performance.

A comprehensive and consolidated treatment of BPM from a business management perspective is provided by Paul Harmon in his book *Business Process Change* [31]. Harmon’s book presents the so-called BPTrends methodology for BPM. Harmon is also editor of the BPTrends newsletter and portal (<http://www.bptrends.com>) which features numerous articles and resources related to BPM. A good overview of the field is also provided in books by Becker et al. [6] and by Rosemann and vom Brocke [102, 103].

As mentioned in this chapter, BPM is related to several other fields, including TQM and Six Sigma. In this respect, Elzinga et al. [15] discuss the relation between BPM and TQM, while the application of Six Sigma techniques in the context of BPM is discussed by Harmon [31, Chap. 12], Laguna and Marklund [43, Chap. 2] and Conger [8].

Chapter 2

Process Identification

*Things which matter most must never be at the mercy
of things which matter least.*
Johann Wolfgang von Goethe (1749–1832)

Process identification is a set of activities aiming to systematically define the set of business processes of a company and establish clear criteria for prioritizing them. The output of process identification is a *process architecture*, which represents the business processes and their interrelations. A process architecture serves as a framework for defining the priorities and the scope of process modeling and redesign projects.

In this chapter, we present a method for process identification that is based on two phases: designation and evaluation. The designation phase is concerned with the definition of an initial list of processes. The evaluation phase considers suitable criteria for defining priorities of these processes. After that, we discuss and illustrate a method for turning the output of this method into a process architecture.

2.1 Focusing on Key Processes

Few organizations have the resources required to model all their processes in detail, to rigorously analyze and redesign each of them, to deploy automation technology in order to support each of these processes, and finally to continuously monitor the performance of all processes in detail. Even if such resources were available, it would not be cost-effective to spend them in this way. BPM is not free. Like any other investment, investments in BPM have to pay off. Thus, it is imperative in every organization engaged in BPM to focus the attention on a subset of processes.

Some processes need to receive priority because they are of strategic importance to an organization's survival. Other processes might show striking problems, which should be resolved for the sake of all involved stakeholders. In other words, the processes that an organization should focus on are found in areas where there is either great value created or significant trouble present (or both). To make things more complex, the subset of high-priority processes in an organization is subject to the dynamics of time. Some processes may be problematic at one point, but once

the issues have been identified and resolved by a process improvement program, an organization can do with only periodic inspections for some time. For example, an insurance company suffering from high levels of customer dissatisfaction will naturally tend to focus on its customer-oriented processes, say its claims handling process. Once this process has improved and customer satisfaction is again within the desired range, the emphasis might move to its risk assessment processes, which are important for the long-term viability and competitiveness of the company.

Beyond the dynamics of time, what may be processes that are of strategic importance to an organization at some point may grow less important as time elapses. Market demands may change and new regulations or the introduction of new products may limit what was once a profitable business activity. For example, the arrival of new competitors offering discount insurance policies through Web-based channels may push an established company to redesign its insurance sales processes to make them leaner, faster, and accessible from the Web.

To address the imperative of focusing on a subset of key processes, the management team, process analysts and process owners need to have answers to the following two questions: (i) what processes are executed in the organization? and (ii) which ones should the organization focus on? In other words, an organization engaged in BPM initiatives needs to keep a map of its processes as well as clear criteria for determining which processes have higher priority. We have seen in Chap. 1 that there is a range of stakeholders involved in the management and execution of a business process. Generally, only a handful of such stakeholders have a full overview of all the business processes in an organization. Yet, it is precisely this insight that is required in order to identify the subset of processes that need to be closely managed or improved. Capturing this knowledge and keeping it up-to-date is precisely the aim of process identification.

More specifically, process identification is concerned with two successive phases: designation and evaluation. The objective of the *designation phase* is to gain an understanding of the processes an organization is involved in as well as their inter-relationships. The *evaluation phase*, based on the understanding that is established in the previous phase, intends to develop a prioritization among these for process management activities (modeling, redesign, automation, monitoring, etc.). Note that *neither* of these phases is concerned with the development of detailed process models. The key activities that are involved with process identification which we will describe closely follow those as identified by Davenport in [10].

2.1.1 The Designation Phase

If an organization is at the very start of turning into a process-centered organization, the first difficult task it faces is to come up with a meaningful enumeration of its existing processes. One difficulty here arises from the hierarchical nature of business processes: different criteria can be considered for determining which chains of operations can be seen as forming an independent business process and which ones

are seen as being part of another process. There are various views on how to categorize business processes (see the box “Categories of Processes according to Porter”). Some of these support the idea that there are actually *very few* processes within any organization. For example, some researchers have argued for the existence of only two processes: (1) managing the product line, and (2) managing the order cycle. Others identify three major processes: developing new products, delivering products to customers, and managing customer relationships.

CATEGORIES OF PROCESSES ACCORDING TO PORTER

Different categorizations for business processes have been proposed. One of the most influential is Michael Porter’s Value Chain model. It distinguishes two categories of processes: core processes (called primary activities) and support processes (support activities). Core processes cover the essential value creation of a company, that is, the production of goods and services for which customers pay. Porter mentions inbound logistics, operations, outbound logistics, marketing and sales, and services. Support processes enable the execution of these core processes. Porter lists infrastructure, human resources, technology development, and procurement as such support processes. As a third category, other authors extend this set of two categories with management processes. For example, the periodic process to assess the strength of competitors is such a management process. The distinction of core, support, and management processes is of strategic importance to a company. Therefore, if such a distinction is made explicit, e.g. at the stage of process identification or while creating a process architecture, it is likely to be a heavily disputed topic.

The question is whether an overly coarse-grained view on processes, without *any further subdivision*, is useful for an organization that strives to become process-centered. Remember that the idea of process management is to actively manage business processes in the pursuit of satisfying its specific customers. If one selects business processes to be such large entities, then the result may be that these cannot be easily managed separately, both in terms of scope and speed of action. Consider, for example, how difficult it would be to model or redesign a process when it covers half of all the operations within an organization. A realistic model of such a business process would take a very long time to develop and could become extremely complex. Also, redesigning such a large process would be a time-consuming affair, let alone the implementation of such a redesign. Depending on the situation, an organization may not have that time.

The main conclusion from this is that the number of processes that are identified in the designation phase must represent a trade-off between *impact* and *manageability*. The smaller the number of the processes one wishes to identify, the bigger their individual scope is. In other words, if only a small number of processes is identified then each of these will cover numerous operations. The main advantage

of a large process scope is that it potentially increases the *impact* one can have with actively managing such a process. The more operations are considered to be part of a process, the easier it will become, for example, to spot opportunities for efficiency gains by rooting out redundant work.

On the other hand, a large scope of a business process brings along a range of issues that make it more difficult to *manage* it as a process:

- the involvement of a large number of staff will make effective communication among them problematic
- it will become more difficult to keep models of a large process up-to-date, and
- improvement projects that are related to a large process are more complex

To balance the advantages and disadvantages of a large process scope, Davenport has suggested that it may be useful to identify both *broad* and *narrow* processes. Broad processes are identified in those areas where an organization feels it is important to completely overhaul the existing operations at some point, for example because of fierce competitive forces. Imagine that an organization may have found that its procurement costs are overly high compared to its competitors. They select procurement as a broad process, which covers all of the services and products the company acquires from other parties. By contrast, narrow processes are not targeted for major overhauls; they do need to be actively monitored and are subjected to continuous fine-tuning and updating. A narrow process may be, for example, how the same company deals with improvement suggestions of its own employees.

Exercise 2.1 Explain how the trade-off between impact and manageability works out for broad and narrow processes, respectively.

Any enumeration of business processes should strive for a reasonably detailed outcome, which needs to be aligned with the organization's specific goals of process management. For most organizations, as a rule of thumb, this will boil down to a dozen to a couple of dozens of business processes. Very large and diversified organizations might be better off with identifying a couple of hundred processes. To illustrate this: Within a multi-national investment firm, which employs close to 3,000 staff and holds assets in the range of € 300 billion, 120 different business processes have been identified. To each of these business processes a process owner is assigned, who oversees the performance of the process and monitors the achievement of its objectives in terms of customer satisfaction, profitability, and accountability. Detailed process models are kept up-to-date, both as a means for documenting planned changes to any process and for satisfying the requirements of financial authorities. By contrast, for a small medical clinic in the Netherlands, which employs medical specialists, nurses, and administrative staff, 10 different treatment processes have been identified. A few of these have been mapped in the form of process models and are now in the process of being automated with a business process management system. For all other processes, it is sufficient to be aware of the distinctive treatment options they can provide to different patient categories.

Exercise 2.2 What are the potential drivers for the described investment firm to identify a large number of processes?

In addition to a rather detailed view on what business processes exist, an understanding must be developed about the *relations* between the various processes. In a situation where organizations define both narrow and broad processes, to avoid confusion, it is important to map how narrow processes relate to broader processes. A broad process like order management, for example, can be related to the more narrowly defined processes of order booking, billing, shipment, and delivery. All of these can be considered sub-processes of order management. We can call this an example of *hierarchical* relations between processes. Processes may also be related to one another differently. Billing, in the example we just used, is an *upstream* process compared to shipment: for the same order the bill is sent out usually *before* the ordered goods are shipped. Another way of expressing this relation is, of course, that shipment can be considered a *downstream* process in comparison to billing. This illustrates how processes can be *sequentially* related.

Exercise 2.3 Discuss in how far order management might be sequentially related to booking, billing, shipment, and delivery.

Most of the time, the insight into the relations between processes may be less than strictly exact. The most important goal of capturing dependent relations is to gain an understanding of how the performance of a process is related to that of another. If one would, for example, redesign an existing process it is useful to understand which processes depend on the outcomes of such a process. Such downstream processes may need to be prepared for receiving information or goods in another frequency or form than before and measures should be taken to prevent any disruptions.

Exercise 2.4 At this point, we discussed hierarchical and sequential relations between business processes. Can you think of other types of relation that are useful to distinguish between processes? As a hint, you might want to think about the purpose of identifying the relations between business processes.

While the designation of business processes and their inter-relationships is subject to different design choices and preferences, some general guidance is available. First of all, several so-called reference models for business process identification exist. These are developed by a range of industry consortia, non-profit associations, government research programs and academia. The best-known examples are the Information Technology Infrastructure Library (ITIL), the Supply Chain Operations Reference Model (SCOR) by the Supply Chain Council, the Process Classification Framework (PCF) by the American Productivity and Quality Center (APQC), the Value Reference Model (VRM) by the Value Chain Group, and the Performance Framework of Rummler–Brache. Reference models standardize what can be seen as different processes, with unique characteristics and delivering distinguishable products, and how their performance can be measured. Their largest value is in the identification of regulatory or highly industry-specific processes, or when performance

benchmarking against peers and competitors is the issue that a process-centered organization is after. In other cases, these reference models may still be useful in identification exercises in the form of a checklist. For example, an organization can use the APQC's PCF to inventory the processes in the framework they use, flag those they do not use, and add its own unique processes. We will take a closer look at the PCF in Sect. 2.2.

A second stream of support is available in the form of specific design approaches to develop a so-called *process architecture*. A process architecture is an organized overview of the processes that exist within an organizational context, which is often accompanied with guidelines on how they should be organized. Design approaches for business process architectures use a certain logic to arrive at an identification of business processes. In Sect. 2.2, we will go into more detail with respect to a specific design approach.

Finally, what is worth noting with respect to the designation phase is that processes change over time, deliberately or not. This naturally implies that process identification is of a continuous nature. To avoid the situation that one becomes bogged down in the stage of process identification, the activity should be considered as an exploratory and iterative endeavor. When a certain stable overview is created it may very well be usable for a period of two to three years.

2.1.2 The Evaluation Phase

As stated before, not all processes are equally important and not all processes can receive the same amount of attention. Process management involves commitment, ownership, investment in performance enhancement, and optimization. Therefore, processes that create loss or risk demand for consolidation, decommissioning, or outright elimination. Various criteria have been proposed to steer this evaluation. The most commonly used ones are the following.

Importance This criterion is concerned with assessing the strategic relevance of each process. The goal is to find out which processes have the greatest impact on the company's strategic goals, for example considering profitability, continuity, or contribution to a public cause. It makes sense to select those processes for active process management that most directly relate to the strategic goals of an organization.

Dysfunction This criterion aims to render a high-level judgment of the "health" of each process. The question here is to determine which processes are in the deepest trouble. These processes are the ones that may profit most from process-centered initiatives.

Feasibility For each process, it should be determined how susceptible they are to process management initiatives, either incidental or on a continuous basis. Most notably, culture and politics involved in a particular process may be obstacles to achieve results from such initiatives. In general, process management should focus on those processes where it is reasonable to expect benefits.

Note that all of these criteria assume that there is certain information available. For example, to assess the strategic *importance* of a process it is of the utmost importance that an organization has an idea of its strategic course. It is sufficient if such strategic considerations are defined at a very abstract level. At this point, for example, many organizations see the strategic benefit of being able to change the kind of products it provides to the demands of customers. Zara, the Spanish clothing retailer, is a prime example of an organization that follows a measure-and-react strategy. It sends out agents to shopping malls to see what people already wear for determining the styles, fabrics, and colors of the products it wants to deliver. Such an organization may look with specific interest at the production and logistic business processes that are best able to support this strategy.

Similarly, to determine the *potential dysfunction* of a business process an organization needs information. Here, we do encounter a “chicken and egg” problem. Many organizations that are not working in a process-centered way do not have a good, quantitative insight into the performance of their individual processes. One of the process-centered initiatives that such an organization may be after would exactly be to put the systems and procedures in place to collect the data that are needed for a performance assessment. In such cases, an organization will need to use more qualitative approaches to determine which of their processes do not perform well, for example depending on the impressions that management or process participants have about the efficiency or effectiveness of the various processes. Another approach would be to rely on customer evaluations, either gathered by surveys or spontaneously delivered in the form of complaints.

The criterion of *feasibility* needs some attention too. It has become common practice for organizations to undergo a continuous stream of programs to improve their performance in one dimension or the other. Consider Philips, the multinational electronics company. It has gone through an intermittent range of improvement programs since the 1980s to boost its performance. The same phenomenon can now be observed within many telecommunications and utility organizations. Since the profitability of products sharply changes from one year over the other, this requires continuous changes to product portfolios and market priorities. In these kinds of volatile context, it may happen that managers and process participants become tired of or outright hostile towards new initiatives. This kind of situation is not a good starting point for process management initiatives. After all, like other organizational measures, such initiatives also depend on the cooperation and good intentions of those directly involved. While we will not deal with the subject of change management in much detail in this textbook, it is important to realize that political sensitivities within an organization may have an effect on the success rate of process management efforts too.

BPM MATURITY ASSESSMENT

A more detailed approach to look at the evaluation phase is based on maturity. BPM maturity assessment is a body of techniques to determine the level

of systematic process thinking in an organization. A BPM maturity assessment essentially involves two aspects. The first aspect is to assess to what extent a given organization covers the range of processes that are ideally expected from it. The second aspect is to assess to what degree these processes are documented and supported. Therefore, a maturity assessment is aimed at establishing a baseline for discussing the completeness and the quality of the set of processes executed in an organization.

One of the most widely used frameworks for maturity assessment is the Capability Maturity Model Integrated (CMMI) framework. This framework distinguishes a number of so-called process areas. Several of these areas are specific to a particular domain in the various CMMI specifications. The domain-independent areas include: process management, project management, and support.

The coverage of process areas and the degree of their support provide the basis for a maturity assessment in terms of the five CMMI maturity levels:

Level 1 (Initial): At this initial stage, the organization runs its processes in an ad-hoc fashion, without any clear definition of these processes. Control is missing.

Level 2 (Managed): At this stage, project planning along with project monitoring and control have been put into practice. Measurement and analysis is established as well as process and product quality assurance.

Level 3 (Defined): Organizations at this stage have adopted a focus on processes. Process definitions are available and organizational training is provided to enable stakeholders across the organization to be engaged in process documentation and analysis. Integrated project and risk management are in place. Decision analysis and resolution are also in place.

Level 4 (Quantitatively Managed): At this stage, organizational process performance is tracked. Project management is performed using quantitative techniques.

Level 5 (Optimizing): At this stage of maturity, the organization has established organizational performance management accompanied with causal analysis and resolution.

The assessment of an organization in terms of these levels leads to a so-called *appraisal*. Appraisals can be conducted internally within an organization (also called self-appraisals) or by an external organization with expertise in maturity assessment. Different types of appraisal are distinguished and defined in the Standard CMMI Appraisal Method for Process Improvement (SCAMPI).

Question Given all the discussed criteria, does an assessment of the importance, dysfunctioning, and feasibility always point me to the same processes to actively manage?

No, there is no guarantee for that. It may very well be that a strategically important process is also the process that can be expected to be the most difficult one to manage, simply because so many earlier improvement efforts have already failed. An organization may not have a choice in such a situation. If a strategic process cannot be improved, this may turn out to be fatal for an organization as a whole. Think of a situation where the process to come up with new products creates much turmoil and conflicts within an organization: If the issues cannot be sorted out, the company may stop functioning quickly. In other settings, it may be more important to gain credibility with process management activities first. This can be accomplished by focusing on problematic processes of milder strategic importance but where there is a great desire to change. If successful, an improvement project at such a place may give credibility to the process management approach. These are not choices that can be easily prescribed without taking the specific context into situation. The various evaluation outcomes should be balanced to reach a list of those processes that should receive priority over others.

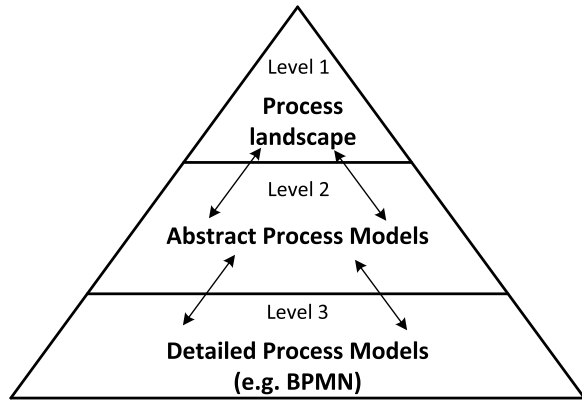
Question Should all processes that are dysfunctional, of strategic importance, and feasible to manage be subjected to process management initiatives?

The general answer to this question is that for most organizations this is not feasible. Recall again that process management consumes resources. Even when there is a clear incentive to, for example, redesign various existing business processes, most organizations lack sufficient resources—people, funds, and time—to do so. Only the largest organizations are able to support more than a handful of process improvement projects at the same time. A good case in point is IBM, an organization known to have process improvement projects going on within all its existing business processes on a continuous basis. Another caveat of carrying out many simultaneous process management efforts is that these will create coordination complexity. Remember that processes may be linked to each other in various respects, such that measures taken for one process should be synchronized with those taken for other. As Davenport [10] describes:

Most companies choose to address a small set of business processes in order to gain experience with innovation initiatives, and they focus their resources on the most critical processes. Each successful initiative becomes a model for future efforts.

What *is* happening in some organizations is that widespread efforts are made to at least *model* all important business processes, delaying the decision to make the step to more advanced BPM efforts (e.g. process redesign or automation). The idea is that process models are a cornerstone of any further BPM efforts in any case and that their existence will help to better understand where improvements can be gained. Creating a model of a process leads to the valuable insight how that process works at all, and can provide a good basis for small improvements that can easily be implemented. On the downside, such an approach bears the risk that major improvements are missed and stakeholders develop a feeling of a lack of return for the efforts. It should be stressed here, too, that the actual modeling of business processes is not an element of the process identification stage.

Fig. 2.1 The different levels of detail in a process architecture



In this section, we have described the process designation and evaluation phases on a high level of discourse. Now, we will turn to a specific technique to come up with a process design architecture.

2.2 Designing a Process Architecture

A process architecture is a conceptual model that shows the processes of a company and makes their relationships explicit. Typically, these relationships are defined in two directions. On the one hand, processes can be in a consumer–producer relationship. This means that one process provides an output that the other process takes as an input. In the first part of the book, we distinguished the quote-to-order process and order-to-cash processes. The output of the first one (the order) is the input to the second one. Note that this is the same kind of ordering as the upstream-downstream relation we distinguished earlier. Beyond the consumer–producer relation, a process architecture defines different levels of detail. This is illustrated as a pyramid in Fig. 2.1.

The part of the process architecture that covers the processes on level one is known as the *process landscape model* or simply the process architecture for level one. It shows the main processes on a very abstract level. Each of the elements of the process landscape model points to a more concrete business processes on level two. This level two shows the processes at a finer degree of granularity, but still in a quite abstract way. Each element on level two points further to a process model on level three. The process models on this third level show the detail of the processes including control flow, data inputs and outputs, and assignment of participants, as we will discuss in the modeling chapters.

The most important challenge for the definition of a process architecture is the definition of the process landscape model, i.e. capturing the processes on level one. The process architecture on level one has to be understandable in the first place, showing not much more than approximately 20 categories of business processes of

a company. Furthermore, it has to be sufficiently complete such that all employees of the company can relate to it with their daily work, and accept it as a consensual description of the company. Therefore, it is important to define the process architecture in a systematic way, with a specific focus on the derivation of the process landscape model.

Several perspectives and approaches have been defined for process architecture definition. Here, we will concentrate on an approach developed by Dijkman [14]. This specific approach leads to a process architecture on level one along two dimensions: case type and business function. The *case type* dimension classifies the types of cases that are handled by an organization. A case is something that an organization (or part of it) handles. Typically, a case is a product or service that is delivered by an organization to its customers, such as an insurance (a service) or a toy (a product). Note that, depending on the part of the organization for which the process architecture is designed, the cases can represent products or services that are delivered to the customers of the organization. However, they can also refer to products or services that are delivered by one department of the organization to another department. For example, think of setting up a workplace for a new employee by the facilities department.

Cases can be deliberately classified, using any number of properties. For example, an insurance company handles insurances, which can be classified according to product type (home insurance, car insurance and life insurance), but also according to the channel that the company uses to interact with its customers (telephone, office, and internet). A combination of these properties can also be used to classify cases. In the insurance example, cases would then be classified using both product type and channel (home-insurance via telephone, home-insurance via office, car-insurance via telephone, etc.).

The *function* dimension classifies the functions of an organization. A function is, simply put, something that an organization does. Typically, a hierarchical decomposition of functions can be made: A function consists of sub-functions, which, in turn, consist of sub-sub-functions, etc. For example, a production company performs purchasing, production, and sales functions. The purchasing function, in turn, can be decomposed into vendor selection and operational procurement functions. Figure 2.2 shows an example of a business process architecture for a harbor authority, which uses the case type and function dimensions to structure its processes.

The figure shows an organization of processes by *case type* in the horizontal dimension and by *business function* in the vertical dimension. The function dimension shows what the organization does: handling pre-arrival of sea ships, which involves notifying the relevant parties about the estimated time of arrival of the ship and what the ship is carrying; handling the actual arrival of the ship, which involves guiding the ship to its dock; etc. The case type dimension shows the types of cases that the organization handles: sea ships, trucks, trains, and inland transportation by barge. There are three processes that are created to handle these types of cases, using the different functions. These three are shown as covering the various functions and case types. The inbound planning process is used for handling pre-arrival of sea ships. The inbound handling process is used for handling arrival and trans-shipment of sea

			case type				
			Sea	Road	Rail	Inland	
business function	pre-arrival	notify ETA	Inbound Planning				
		notify authorities					
		reserve tow-boat					
	arrival						
	trans-shipment	stacking/handling	Inbound Handling	Outbound Handling			
		payment					
	departure	infrastructure info					
		notify ETD					

Fig. 2.2 A process architecture for a harbor authority

ships and the outbound handling process is used for handling trans-shipment and departure of trucks, trains, and barges.

To arrive at a business process architecture in a similar sense as we described here, we propose an approach that consists of the following four steps:

1. identify case types
2. identify functions for case types
3. construct one or more case/function matrices, and
4. identify processes

We will now discuss these steps in more detail.

2.2.1 Identify Case Types

In the first step, a classification of case types is developed for the organization. This is done by selecting the case properties that will be used for the classification. The main purpose for identifying different classes in this dimension of the process architecture is to determine the different ways in which (similar) processes are handled in the organization. It is important to have this in mind, because the only properties that should be included in the classification are the ones that lead to different organizational behavior. Properties that may distinguish cases yet do not lead to different behavior should not be included. For example, a stationary store sells many different types of product. However, it sells all these types of product in the same manner. Therefore, ‘product type’ is not a useful dimension when classifying the cases that are handled by a retail store. An insurance company also sells different types of product (insurances) and, in contrast to the retail store, the products that it sells are handled differently. For example, for a life insurance a declaration of health must be

filled out, but for a car insurance this is not a requirement. Therefore, the ‘product type’ is indeed a useful property to classify the types of cases that are handled by an insurance company; this is not the so for classifying the types of cases that are handled by a retail store.

A classification of the types of cases that an organization handles can be developed using any number of properties. However, some of the more commonly used properties are:

- **Product type:** this property identifies the types of products that are handled by an organization. These can be hierarchically decomposed. For example, an insurance company handles damages and life insurance products. In the class of damage insurances, a further decomposition is possible into car insurance and home insurance; similarly, within the class of life insurance a further decomposition is possible into healthcare insurance and accident insurance.
- **Service type:** if (a part of) an organization handles services rather than products, this property identifies the types of services that the organization handles, similar to the way in which product type identifies the types of tangible deliverables.
- **Channel:** this property represents the channel through which the organization contacts its customers. We can, for example, distinguish: face-to-face contact (over the counter), telephone or internet contact.
- **Customer type:** this property represents the types of customer that the organization deals with. An airline, for example, may distinguish frequent flyers from regular travelers.

Note again that, although these are the most commonly used properties to distinguish different case types, there are certainly other properties that can be used. Any property that distinguishes types of cases that are handled differently can be used. For example, if an organization does things differently in North America than in Europe, cases may be classified according to location. Another example: if cases are handled differently depending on the expertise that is required to handle them, they may be classified according to expertise.

Also, note again that the classification can be developed using any number and combination of properties. If a company sells insurances in both North America and Europe and handling of insurances differs on those continents because of local regulations, then a classification of cases according to both product type and location can be used.

Exercise 2.5 Consider the case of a bank and the classification criteria product type, service type, channel, and customer type. In how far are these criteria related to each other?

2.2.2 Identify Functions for Case Types

In the second step, a classification is developed of the business functions that are performed on the different case types. This step requires that each of the case types

is examined in detail and for each case type the functions that can be performed on it are identified. Potentially, the functions that are performed in an organization can be related to existing classifications that are proposed by reference models. We already mentioned a number of these. A small part of APQC's PCF is shown in Table 2.1. Such reference models can serve as a starting point to develop a classification of business functions and may be adapted to the specific needs of the organization.

Whether this identification of functions starts with a reference model or not, it requires interviews with different people in the organization. These interviews serve to either identify the functions directly, or to check to which extent the functions from a reference model apply to the organization. The interviews must both be held with employees that are involved in the different cases that the organization handles and with product (and service) managers of the different products and services that the organization handles. It is, therefore, important to observe that the different people involved may very well use different terms for similar business functions. Homonyms and synonyms are problematic in this context. For example, what is called 'acquisition' in one part of the organization may be called 'market survey' in another (synonym). At the same time, two functions called 'implementation' may represent different activities: one may represent the implementation of software, while the other represents the implementation of new regulations in the organization (homonym). Apart from being aware of the various terms that are being used, an intricate understanding of the operations of an organization is important to sort these issues out. Frameworks like APQC's PCF can help to avoid terminological issues right from the start.

In addition, functions may be organized differently. Consider, for example, Fig. 2.3. It is taken from a real-world case and shows parts of the functional decompositions of two departments from the same organization, one in Europe and one in North America. The European department distinguishes between purchasing and sales, where both purchasing and sales are split up into operational functions. These functions concern sourcing and order-to-pay for purchasing on the one hand and marketing and sales operations for sales on the other. The North American department distinguishes between sourcing, marketing, and order handling. Here, order handling involves both order-to-pay and operational sales activities (but is not decomposed any further).

Clearly, in the example of this organization, a negotiation step may be required between the different people involved to unify the functional decompositions across its European and North-American parts. This is particularly called for if the functional decomposition is more than just a modeling exercise. It may also represent actual organizational properties. In the case that is illustrated in Fig. 2.3, managers are in place for the different functions at the different levels of decomposition. In Europe, a manager is appointed for sales, another for procurement, and lower-level managers for sourcing, order-to-pay, marketing, and operational sales. In North America, there are managers in place for sourcing, marketing, and order management. Therefore, when the functional decompositions of the departments needs to be harmonized, the management structure also must be subjected to harmonization.

A functional decomposition should not be confused with a decomposition according to case type. It is possible that an organization is structured according to

Table 2.1 Level one and level two of the APQC process classification framework

1.0 Develop Vision and Strategy	7.6 Deploy information technology solutions
1.1 Define the business concept and long-term vision	7.7 Deliver and support information technology services
1.2 Develop business strategy	
1.3 Manage strategic initiatives	8.0 Manage Financial Resources
2.0 Develop and Manage Products and Services	8.1 Perform planning and management accounting
2.1 Manage product and service portfolio	8.2 Perform revenue accounting
2.2 Develop products and services	8.3 Perform general accounting and reporting
3.0 Market and Sell Products and Services	8.4 Manage fixed-asset project accounting
3.1 Understand markets, customers, and capabilities	8.5 Process payroll
3.2 Develop marketing strategy	8.6 Process accounts payable and expense reimbursements
3.3 Develop sales strategy	8.7 Manage treasury operations
3.4 Develop and manage marketing plans	8.8 Manage internal controls
3.5 Develop and manage sales plans	8.9 Manage taxes
4.0 Deliver Products and Services	8.10 Manage international funds/consolidation
4.1 Plan for and align supply chain resources	9.0 Acquire, Construct, and Manage Assets
4.2 Procure materials and services	9.1 Design and construct/acquire nonproductive assets
4.3 Produce/Manufacture/Deliver product	9.2 Plan maintenance work
4.4 Deliver service to customer	9.3 Obtain and install assets, equipment, and tools
4.5 Manage logistics and warehousing	9.4 Dispose of productive and nonproductive assets
5.0 Manage Customer Service	
5.1 Develop customer care/customer service strategy	10.0 Manage Enterprise Risk, Compliance, and Resiliency
5.2 Plan and manage customer service operations	10.1 Manage enterprise risk
5.3 Measure and evaluate customer service operations	10.2 Manage business resiliency
6.0 Develop and Manage Human Capital	10.3 Manage environmental health and safety
6.1 Develop and manage human resources (HR) planning, policies, and strategies	11.0 Manage External Relationships
6.2 Recruit, source, and select employees	11.1 Build investor relationships
6.3 Develop and counsel employees	11.2 Manage government and industry relationships
6.4 Reward and retain employees	11.3 Manage relations with board of directors
6.5 Redeploy and retire employees	11.4 Manage legal and ethical issues
6.6 Manage employee information	11.5 Manage public relations program
7.0 Manage Information Technology	12.0 Develop and Manage Business Capabilities
7.1 Manage the business of information technology	12.1 Manage business processes
7.2 Develop and manage IT customer relationships	12.2 Manage portfolio, program, and project
7.3 Develop and implement security, privacy, and data protection controls	12.3 Manage quality
7.4 Manage enterprise information	12.4 Manage change
7.5 Develop and maintain information technology solutions	12.5 Develop and manage enterprise-wide knowledge management (KM) capability
	12.6 Measure and benchmark

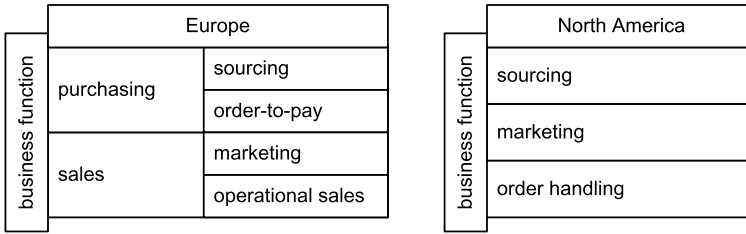


Fig. 2.3 Different functional decompositions within the same organization

both business function and other properties. It may then be tempting to develop the functional decomposition further according to these other properties. However, these other properties should be reflected in the case type dimension rather than the function dimension. For example, an organization can be structured according to business functions into a sales and a procurement department with managers leading each of the departments. It can be further structured according to location, having both a sales and a procurement department in Europe as well as in North America. In this situation, the functional decomposition ends with the decomposition into sales and procurement. Should a further decomposition according to location be relevant, then this decomposition should be reflected in the case type dimension, not in the function dimension.

An important decision that must be made when developing the functional decomposition is to determine the appropriate level of decomposition at which the functional decomposition ends. In theory, the functional decomposition can be performed up to a level that represents the tasks that are performed by the individual employee (fill-out form, check correctness of information on form, have colleague check correctness of information on form, etc.). However, for a process architecture a more coarse level of decomposition is usually chosen. Two rules of thumb that can be used to choose the level of decomposition at which the functional decomposition ends, are the following.

1. The functional decomposition should at least be performed down to a level at which functions correspond to different organizational units (with corresponding managers). For example, if an organization has both a sourcing and an order-to-pay department and both have their own managers, this is a strong indication that the functional decomposition should contain the functions that are performed by these departments.
2. The functional decomposition should include different functions for the different roles in each department. For example, if the sourcing department has buyers, who do requirements analysis and vendor selection, as well as senior buyers, who do vendor relationship management and contract management, this may lead to a decision to include requirements analysis, vendor selection, vendor relationship management and contract management as functions.

		Private Customers	Corporate Customers	Internal Customers
Management	Process			X
	Line			X
	Project			X
Operations	Savings	X	X	
	Loans	X	X	
	Checking	X	X	
Support	HRM			X
	ICT			X
	Finance			X
	Marketing			X

Fig. 2.4 A case/function matrix

Observe that these are rules of thumb, which leave room for handling them flexibly. They merely provide an aid for determining the lowest level of decomposition that should be used.

Exercise 2.6 Consider the case of a university and the level one processes listed in the APQC’s PCF. What kind of more specific functions does a university typically cover in categories 2.0 Develop and Manage Products and Services and in 5.0 Manage Customer Service?

2.2.3 Construct Case/Function Matrices

The previous two steps of the described approach lead to a matrix that has the different case types as columns and the different functions as rows. A cell in the matrix contains an ‘X’, if the corresponding function can be performed for the corresponding case type. Figure 2.4 shows an example of a case/function matrix. The matrix shows a decomposition of case types by customer type, resulting in three case types: one for private customers, one for corporate customers, and one for internal customers. The figure also shows a functional decomposition into three main functions and a subsequent decomposition of those main functions into ten sub-functions. Management and support functions are only performed for internal customers, while operational functions are performed for private and corporate customers.

A case/function matrix can be split up into multiple matrices for the purpose of improving readability. We would typically split up a case/function matrix in case a partition of the matrix’ functions and case types is possible such that all X’s are

		case type			
		Netherlands		Belgium	
		Composite	Simplex	Composite	Simplex
risk management	product risk assessment	Product Development and Assessment			
	client risk assessment	X	X	X	
mortgage brokering	selecting	X		X	
	offering	X	Mortgage Application		X
	contracting	X	X	X	
finance	payment	X	X	X	
	collection	X	X	X	
product development		Product Development and Assessment			

Fig. 2.5 A case/function matrix evolving into a process landscape model (applying Guideline 1)

preserved. For example, the matrix from Fig. 2.4 can be partitioned into, on the one hand, a matrix that contains the management and support functions and the internal customers and, on the other, a matrix that contains the operational functions and the private and corporate customers.

2.2.4 Identify Processes

In the fourth and final step of the proposed approach, we determine which combinations of business functions and case types form a business process. To determine this, we need to find a trade-off between two extremes, one in which the entire matrix forms one big process and one in which each single cross in the matrix forms a process. We establish this trade-off by the use of the general rule that, in principle, the entire matrix forms one big process which will only be split up in case certain rules apply. These rules can be formulated as eight guidelines. When a guideline applies, this may lead to a separation of processes between rows (a vertical split) or to a separation of processes between columns (a horizontal split). Some of the guidelines (Guidelines 5, 6, and 8) can only lead to vertical splits, while others (Guidelines 1–4) can only lead to horizontal splits. Note that the guidelines are not absolute: they may or may not apply to a particular organization and they are not the only rules that should be considered in specific cases.

Figure 2.5 shows the running example that we will use to explain the guidelines. The figure shows a case/function matrix for a mortgage broker, which brokers mortgages both in the Netherlands and in Belgium. It distinguishes between simplex

and composite mortgages. A composite mortgage can be adapted to the specific requirements of a customer, by composing it from different types of loans, savings accounts, life insurances and investment accounts. A simplex mortgage consists of a pre-defined package of a loan, a savings account and a life insurance. On these different types of mortgages, various business functions can be performed. Risk assessment involves assessment of risk of both individual clients, who are in the process of applying for a mortgage, and mortgage products as a whole. Mortgage brokerage involves the selection of a particular mortgage package based on the requirements of a particular customer and subsequently offering that package to the customer and closing the contract. The financial functions involve paying out the mortgage and subsequently collecting the monthly payments. Finally, product development is the periodic review of the mortgage products and their components.

Guideline 1: If a process has different flow objects, it can be split up vertically. A flow object is an object in the organization that flows through a business process. It is the object on which business process activities are being carried out. Typically, each business process has a single flow object, such that flow objects can be used to identify business processes. Consequently, if multiple flow objects can be identified in a business process, this is a strong indication that the process should be split up.

Figure 2.5 illustrates the application of Guideline 1 to our running example. One flow object for the mortgage brokering process is a mortgage application on which activities are carried out during a mortgage application by a client. These activities include a risk assessment and paying out the mortgage to the client. Another flow object in the mortgage brokering process is a mortgage product on which activities are carried out periodically to assess the risk of the product as a whole and to evaluate and develop the product. Consequently, we can split up the mortgage brokering process into two processes, one that has a mortgage application as a flow object and one that has a mortgage product as a flow object. We call the former the mortgage application process and the latter the product development and assessment process.

Guideline 2: If the flow object of a process changes multiplicity, the process can be split up vertically. This is due to the fact that in a business process a single flow object is sometimes used, while at other times multiple flow objects of the same type are used. This is typical for batch processing, in which certain activities are performed for multiple customer cases in batch at the same time. If, in the same process, the number of flow objects that is processed per activity differs this may be a reason for splitting up the process.

Have a look at Fig. 2.5, where the mortgage application process is performed for a single mortgage application. By contrast, the collection of payments happens for all mortgages in batch by the end of each month. Using Guideline 2, this may be taken as the reason for splitting the process and having Mortgage Collection as a separate process.

Guideline 3: If a process changes transactional state, it can be split up vertically. According to the action-workflow theory, a business process goes through a num-

ber of transactional states. In particular, we distinguish: the initiation, the negotiation, the execution and the acceptance state. In the initiation state, contact between a customer and a provider is initiated. In the negotiation state, the customer and the provider negotiate about the terms of service or delivery of a product. During the execution state, the provider delivers the product or service to the customer and during the acceptance state, the customer and the provider negotiate about the acceptance and payment of the delivery. A transition in a process from one state to another is an indication that the process can be split up.

To illustrate this guideline, consider again Fig. 2.5. Suppose that during the negotiation state the mortgage broker and the customer negotiate about the selection of mortgage products, ultimately leading to a contract being signed by both parties. Only during the execution state the mortgage is paid out to the customer and the monthly payments will be collected. By the logic of Guideline 3, we therefore split up the process into a mortgage application process and a Mortgage Payment process.

Guideline 4: If a process contains a logical separation in time, it can be split up vertically. A process contains a logical separation in time, if its parts are performed at different time intervals. Intervals that can typically be distinguished include: once per customer request, once per day, once per month and once per year.

To clarify Guideline 4, consider Fig. 2.5 again. Mortgage selection, offering, and contracting are performed once per mortgage application, while payment and collection for mortgages is performed once per month. By the logic of Guideline 4, it would make sense to split up mortgage selection, offering, and contracting from mortgage payment collection. Note that the passing of time in itself is not a reason for splitting up a process, because within each single process, time passes. For example, between the activity of entering mortgage details into a computer system and approval of the mortgage, time passes, but the unit of time remains the same: both activities happen once per mortgage application. Therefore, we would not split up the process between these activities. Another way of looking at Guideline 4 is that the process can be split up, if it must wait for a time trigger or a trigger by a new flow object. For example, the approval of a mortgage can be performed directly after the mortgage details are entered, without having to wait for a trigger. However, after having processed the mortgage application, the process must wait for the payment collection date trigger to continue with payment collection. Therefore, we would split up the process between these functions by the same logic of Guideline 4.

Guideline 5: If a process contains a logical separation in space, it can be split up horizontally. A process contains a logical separation in space, if it is performed at multiple locations and is performed differently at those locations. It is important to note that it is not sufficient for processes to just be separated in space. The separation must be such that there is no choice but to perform the processes differently for the different logical units.

To clarify this guideline: in case a process is performed at different locations within the same country, there is not necessarily a reason to perform it differently

at those locations. Consequently, there is no reason to split it up. In fact, organizations should strive to make their processes as uniform as possible, to benefit from economies of scale. Indeed many organizations nowadays started projects in which they aim to make their processes more uniform across different locations, where processes became different purely for historic reasons or because the different locations did not share information about their process flow. As another example, the processes from Fig. 2.5 are performed at two different locations in different countries. However, still not all of these processes should differ at these two locations. For example, mortgage payment and collection may be the same in Belgium and the Netherlands. However, risk assessment, mortgage brokering and product development may differ between the Netherlands and Belgium, due to country-specific rules and regulations.

Guidelines 6 and 7 are more straightforward and can be described as follows.

Guideline 6: If a process contains a logical separation in another relevant dimension, it can be split up horizontally. Like with the separation in space, it is not sufficient for processes to just be separated. The separation must be such that there is no choice but to perform the processes differently for the different logical units.

Guideline 7: If a process is split up in a reference model, it can be split up. A reference process architecture is an existing process architecture that is pre-defined as a best-practice solution. It structures a collection of processes. For example, if a reference financial services process architecture exists, its structure can be used as an example or starting point to structure your own process architecture.

Figure 2.6 shows the results of applying Guidelines 2 through to 7 to the case/function matrix from Fig. 2.5, which itself resulted from applying Guideline 1 to our running example. Figure 2.6 shows that after applying Guidelines 2 through 7 as discussed above, there are six processes: Product Development and Assessment Netherlands (PD NL), Product Development and Assessment Belgium (PD BE), Mortgage Application Netherlands, Mortgage Application Belgium, Mortgage Payment, and Mortgage Collection.

The final guideline that we discuss here is the following.

Guideline 8: If a process covers (many) more functions in one case type than in another, it can be split up horizontally. The application of this last rule depends upon the current decomposition of processes. If applied, it is necessary to look at the current decomposition of processes and check if, within a process, (many) more functions are performed for one case type than for another, i.e.: whether a process has many more crosses in one column than in another. If so, this is a strong indication that the process should be split up for these two case types.

For example, when looking at Fig. 2.6, we see that the Mortgage Application Netherlands process has many more function for composite mortgages than for simplex mortgages. By the logic of Guideline 8, we would split up this process for composite and simplex application. The application of all of these eight guidelines yields a process architecture for level one. The result can be seen in Fig. 2.7, which is the finalized process landscape model for our example.

		case type			
		Netherlands		Belgium	
		Composite	Simplex	Composite	Simplex
risk management	product risk assessment	X PD NL X		PD BE	
	client risk assessment	X	X	X	
mortgage brokering	selecting	Mortgage Application NL		Mortgage Application BE	
	offering	X		X	
	contracting	X	X	X	
finance	payment	X Mortgage Payment X		X	
	collection	X Mortgage Collection X		X	
product development		PD NL		PD BE	

Fig. 2.6 A case/function matrix evolving into a process landscape model (applying Guidelines 2–7)

		case type			
		Netherlands		Belgium	
		Composite	Simplex	Composite	Simplex
risk management	product risk assessment	X PD NL X		PD BE	
	client risk assessment	X	X	X	
mortgage brokering	selecting	Composite Mortgage Application NL	Simplex Mortgage Application NL	Mortgage Application BE	
	offering	X		X	
	contracting	X	X	X	
finance	payment	X Mortgage Payment X		X	
	collection	X Mortgage Collection X		X	
product development		PD NL		PD BE	

Fig. 2.7 A case/function matrix evolving into a process landscape model (applying Guideline 8)

Table 2.2
Consumer–producer
relationships between
processes

Consumer	Producer
Mortgage Payment	Composite Mortgage Application NL
Mortgage Payment	Simplex Mortgage Application NL
Mortgage Payment	Mortgage Application BE

2.2.5 Complete the Process Architecture

The approach that we discussed previously and which we emphasize in this part of the book leads to a process landscape model that covers the processes on level one of the pyramid in Fig. 2.1. As stated, this level only provides a very abstract insight into each process within the process landscape: It mainly shows how processes differ from each other in terms of the cases and functions they cover.

There are two things that are missing with respect to the general, encompassing characteristics of a process architecture as we discussed in Sect. 2.2: (1) the consumer–producer relationships between the processes, and (2) the levels of detail as provided by the pyramid in Fig. 2.1.

With respect to the consumer–producer relationships, we can take a broad or narrow perspective on the use of an output from one process as the input of another. For our running example, it may be that the product development process uses aggregated figures about how the mortgage application process is carried to determine what the needs of clients are and, in this way, what attractive new products may be. This would be a rather broad interpretation of the consumer–producer relationship.

What is often most important to know stems from a narrower perspective, namely which consumer–producer relationships exist between processes with respect to the *same* flow objects. In Fig. 2.7, it can be seen that mortgage application (both in the Netherlands and Belgium) and mortgage payment are split up, which was done following the logic of Guideline 3. This is a situation where the flow object of one process is consumed piecemeal by another; the only difference is the transactional state that the flow object is in. Specifically with respect to redesign initiatives these relations are most important to remember and make explicit, since changing one process has direct implications for the performance of the other. We can capture this narrow interpretation of consumer–producer relationships for our running example as is done in Table 2.2. Each row in this table provides a single consumer–producer relationship, where the consumer process continues to work on a flow object that is the output of the producer process.

Let us now focus on the other aspect that makes a process architecture for level one rather restrictive in comparison to our general notion of a process architecture. This concerns the high level of abstraction of the processes that are distinguished by the process landscape model. To focus on the other levels of the pyramid of Fig. 2.1, the question is what kind of additional detail they should offer. We focus here on the missing insights into (a) the *various steps* that are taken within each process and (b) the *organizational units* that are involved in carrying these out. These two elements should be added to obtain the models for level two of what we mean by

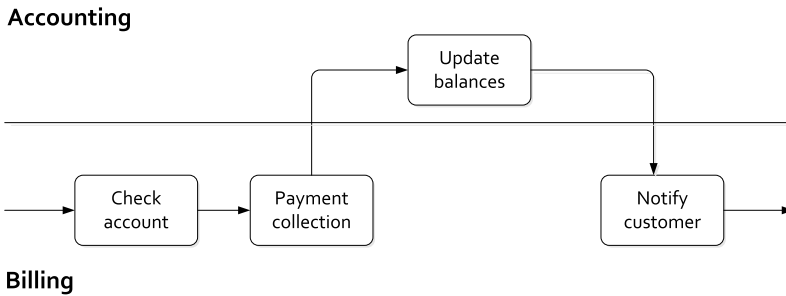


Fig. 2.8 A process map for the mortgage payment process

a process architecture. It is common to refer to a model on this second level as a *process map*.

To provide an example of a process map, we focus on the mortgage payment process that is identified in the process landscape model of Fig. 2.7. The related process map can be seen in Fig. 2.8.

As this figure shows, the identified mortgage payment process from the process landscape model has been decomposed into four main steps that can be associated with this process. Moreover, two organizational units are identified that are associated with these steps, i.e. Accounting and Billing. In other words, a process map provides more detail about the control flow and includes additional information with respect to the involved resources for a process.

Even a process map can still be said to provide an abstract view on a process. First of all, we can still see that the flow throughout the steps in a process map is highly simplified. It is common, like in Fig. 2.8, to only show a linear progress along the various steps in a process map: alternative paths, potential exceptions, iterations, etc. are all left out. For the organizational information that is added in a process map, too, the information is abstract: we can only see references to units but not the specific kind of participants that are involved.

Exercise 2.7 Give an example of an alternative path, a potential exception, and an iteration that would show up in a more detailed model of the mortgage payment process.

Secondly, there are many aspects beyond control flow and resource information that are not covered in *any* level of detail in a process map. Think about the data that are being handled in the process, the reports and files that are passed on, the systems that support the various steps, the time that is involved with carrying out these steps, etc.

In practice, process maps have turned out to provide a deeper level of insight into the processes from the process landscape *regardless* of the goals one pursues for the specific processes. In other words, an insight into the steps and involved organizational units has its value for any type of process-oriented initiative. By contrast, a further insight into, for example, the data that are being processed within each step

would only make sense if someone pursues to automate the process or when the evaluation phase has identified quality issues.

In this textbook, we will not focus on the development of process maps. Instead, we will turn to the more detailed level of models, i.e. those on level three of a process architecture. As will be shown, these models are developed following specific rules and provide the insight that are ideally closely tied to what one likes to achieve with a specific process management initiative. This will be the subject of the following chapters.

2.3 Recap

In this chapter, we have discussed process identification. First, we distinguished and described the phases of designation and evaluation. The designation phase aims at enumerating the major processes within an organization, as well as determining the boundaries between those processes. An insight into the major processes that are being carried out in an organization is important to set up any process management activity. The evaluation phase is dedicated to prioritizing process analysis and redesign efforts. It is good practice to base priorities upon the importance of processes, their potential dysfunction, and the feasibility of improvements.

The designation phase may be used not only to enumerate the most important processes, but also to design a consistent overarching process architecture. A process architecture defines the relationship between the different processes. Often, different levels of detail are distinguished. We discussed a specific approach for the definition of level one of the process architecture. This approach builds on the identification of case types, of the functions for these case types, the construction of a case/function matrix, the identification of processes based on guidelines, and the eventual completion of the architecture.

2.4 Solutions to Exercises

Solution 2.1 Explain how the trade-off between impact and manageability works out for broad and narrow processes, respectively. A broad process has by definition a large scope. Managing it actively potentially can have a large impact on an organization's performance. The flip side is that it is more difficult to actively manage such a broad process or the improvement projects that are related to it. For a narrow process, this is exactly the other way around: given its smaller scope, it is more easily managed but it will probably have a lesser impact on an organization's performance as a whole.

Solution 2.2 The description of the investment firm points at large financial holdings, which may be related to the employment of many different products (investment instruments) for many different customers, both private and institutional. Both

of these dimensions, products and customers, may drive the firm to identify different processes that cater for these. In addition, the description of the firm also mentions ‘accountability’: for many financial organizations, there are strict requirements on how they must manage and disclose their operation, as imposed on them by regulatory agencies. This, too, may be a driver for the identification of many different processes.

Solution 2.3 Order management is not sequentially related to any of these. As discussed in the text, booking, billing, shipment, and delivery are all sub-processes of order management. So, it is impossible to indicate that any of these sub-processes precedes or follows up on order management; rather, they are subsumed by this process.

Solution 2.4 Organizations wish to accomplish certain *goals*. Processes are a means to achieve these goals. A relation that, therefore, may be important is how processes are related to one another in the sense that they contribute to the same or related goals. Other, context-specific relations may be important for organizations as well. Consider how it may be important for an organization to know on which *technologies* their processes are based; if a particular technology becomes obsolete, such an organization knows which processes are affected. A similar line of reasoning can be taken for geographic areas, regulations, etc.

Solution 2.5 Many banks distinguish different types of customers, and use this distinction for defining product and service types for them as much as channels. For instance, a retail bank customer is typically characterized by a low to average income who requires transaction services and products for building up wealth. Often, banks try to serve these customers via standardized channels like telephone and internet in order to limit transaction costs. On the contrary, private bank customers are typically have high income or possess a considerable fortune. Banks invest much more into personal advise and consulting of these customers and in offering individual packages of products and services. Often, such strategic considerations as of those a bank in this example have the consequence that different classification criteria are often correlated.

Solution 2.6 The products and services of a university relate to teaching and certification, and essentially support the lifecycle of a student towards obtaining a degree. Therefore, the category 2.0 mainly relates to the development and management of curricula and degree programs. The academic entities of a university are concerned with these tasks. The category 5.0 would refer to the management of student services. Usually, tasks belonging to this category are organized in an examinations office of the university assisting in all study-related matters.

Solution 2.7 An example of alternative paths in the mortgage payment process would be that different payment conditions lead to payment collection activities. An example of an exception in this process would be that the account balance is

not sufficient to collect a payment. An example of an iteration would be that after a failed payment collection this is tried again (perhaps after a certain delay).

2.5 Further Exercises

Exercise 2.8 A university provides education and services to its students. This starts with admission of students to the university. When a regular student, i.e. a student who comes from a Dutch high-school, sends in his admission form such a student is registered by the admissions office. Subsequently, the eligibility to study in a certain program is checked based on the information that the student provided on his admission form. For students who arrive from another school, such as a polytechnic, the previous study that the student took, according to his admission form, must be examined in detail. Polytechnic students can either come to the university after completing one year of courses (propedeuse) or after receiving a polytechnic diploma. Students from universities in other countries are also accepted. Also for them, the studies that they took previously must be examined in detail. When students are considered eligible and the courses that they have already followed (if applicable) check out, they are enrolled at the university, which involves sending a letter that they are accepted and entering the details of their enrollment in the information system of the university. The students then become a student of their respective study: industrial engineering, building or construction engineering.

After the students are enrolled, they can take courses or do projects and they can use the services that are provided by the university, which include: language training and sports facilities. Projects are done on an individual basis by a student together with a lecturer. The university recognizes part-time students who do their studies while they are working in a company. These students typically do projects of a more practical nature than the other students, such that the process that is followed during the project are also different for these students.

Design a process architecture as follows:

1. identify the case types that should appear in the process architecture
2. identify the functions that should appear in the process architecture
3. draw a case/function matrix
4. identify the processes in the case function matrix, split up processes if and only if one of the guidelines applies, clearly indicate which guideline you applied where

Exercise 2.9 A consultancy firm provides consultancy, outsourcing, and interim management services. The firm considers acquisition of projects as part of those services. Acquisition can both be done for existing clients and for new clients, because it concerns acquisition of projects rather than clients. Acquisition is typically started at 'networking events' by partners of the consultancy firm. It is handled according to a fixed procedure, but no standard document is used. When a client shows interest in a consultancy service, an intake is done with the client. To maintain a long-term relationship with clients as much as possible, the firm will always

try to establish a framework contract with new clients during the intake. For existing clients a framework contract does not have to be established. As another form of relationship management, regular meetings are held with existing clients. During these meetings the client's organization is discussed with the client. This enables the client to decide whether additional work should be done to further improve the organization. At the same time this enables the firm to bring in additional assignments. The intake and the regular meetings happen according to the same form, on which an inventory of the client's wishes can be made.

For consultancy and outsourcing services, a project team must be created directly after a project assignment was given to the consultancy firm. After a project team is created, there is a kick-off meeting with the client and after the kick-off meeting, the project is executed. The kick-off meeting is the same for each type of project, but the way in which the project is executed differs largely per type of service. At the end of the project there always is an evaluation meeting with the client as a means of quality control. The creation of the project team, the kick-off meeting, the execution of the project and the evaluation of the project happen according to a project plan.

The consultancy company has a services department, which takes care of market research for the consultants, manages the leasing of cars and provides secretary services.

Design a process architecture as follows:

1. identify the case types that should appear in the process architecture
2. identify the functions that should appear in the process architecture
3. draw a case/function matrix
4. identify the processes in the case function matrix; split processes if and only if one of the guidelines applies and indicate which guideline you applied where

2.6 Further Reading

The importance of explicit identification of processes was perhaps first discussed by Davenport [10], while a similar perspective is offered by Hammer & Champy [29]. Sharp & McDermott [86] give practical advice on exploring the *process landscape*—an alternative term for process architecture. Another practical book covering process architecture design is that of Ould [64]. One of the questions left open by these books is to what extent it pays off to identify and delineate processes in a company-specific manner as opposed to adopting standardized reference models for this purpose.

Dijkman [14] provides a survey of popular process architecture approaches. One of the findings of this survey is that practitioners tend to apply a mix of styles to derive process architectures and that no single, popular approach is followed. Despite the practical interest in the topic, there is a little academic research into the area of process architectures. Exceptions are the work by Frolov et al. [20] and Zur Muehlen et al. [112]. Both groups of authors emphasize the importance of a hierarchical process architectures. It remains unclear though to what extent prescribed, normative approaches provided by academia are applicable and beneficial in practice.

The concept of value chain—which generally appears at the top of a process architecture—was popularized by Michael Porter [67]. Porter also contributed to popularizing the distinction between core process (which he called primary activity) and support process. A detailed reference model centered around the notion of value chain is the Value Reference Model (VRM) defined by the Value Chain Group (<http://www.value-chain.org/>).

Related and to some extent complementary to the concept of value chain is the organizational performance framework of Rummler & Brache [80]. In this framework, organizations are viewed as systems whose purpose is to produce value within a certain environment, which includes competitors, suppliers, capital markets, labor markets, regulations, and other external factors. Within this environment, organizations create value by procuring materials or resources from suppliers in order to manufacture or deliver products or services for customers. The created value leads to earnings for shareholders.

Rummler & Ramias [81] describe a variant of Rummler & Brache's framework, namely the Value Creation Hierarchy (VCH). In this framework, the system that transforms resources into products or services is called the Value Creation System (VCS). The VCS is decomposed into processing sub-systems, which in turn are decomposed into end-to-end processes and then into sub-processes, tasks, and sub-tasks. The VCH thus provides a conceptual framework that goes all the way from the organizational context to the lowest level of a process architecture.

Chapter 3

Essential Process Modeling

Essentially, all models are wrong, but some are useful.
George E.P. Box (1919–)

Business process models are important at various stages of the BPM lifecycle. Before starting to model a process, it is crucial to understand why we are modeling it. The models we produce will look quite differently depending on the reason for modeling them in the first place. There are many reasons for modeling a process. The first one is simply to understand the process and to share our understanding of the process with the people who are involved with the process on a daily basis. Indeed, process participants typically perform quite specialized activities in a process such that they are hardly confronted with the complexity of the whole process. Therefore, process modeling helps to better understand the process and to identify and prevent issues. This step towards a thorough understanding is the prerequisite to conduct process analysis, redesign or automation.

In this chapter we will become familiar with the basic ingredients of process modeling using the BPMN language. With these concepts, we will be able to produce business process models that capture simple temporal and logical relations between activities, data objects and resources. First, we will describe some essential concepts of process models, namely how process models relate to process instances. Then, we will explain the four main structural blocks of branching and merging in process models. These define exclusive decisions, parallel execution, inclusive decisions and repetition. Finally, we will cover information artifacts and resources involved in a process.

3.1 First Steps with BPMN

With over 100 symbols, BPMN is a fairly complex language. But as a learner, there is no reason to panic. A handful of those symbols will already allow you to cover many of your modeling needs. Once you have mastered this subset of BPMN, the remaining symbols will naturally come to you with practice. So instead of describing each and every BPMN symbol at length, we will learn BPMN by introducing its symbols and concepts gradually, by means of examples.

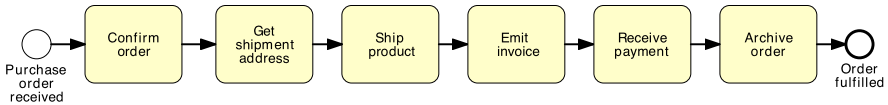


Fig. 3.1 The diagram of a simple order fulfillment process

In this chapter we will become familiar with the core set of symbols provided by BPMN. As stated earlier, a business process involves *events* and *activities*. Events represent things that happen instantaneously (e.g. an invoice has been received) whereas activities represent units of work that have a duration (e.g. an activity to pay an invoice). Also, we recall that in a process, events and activities are logically related. The most elementary form of relation is that of *sequence*, which implies that one event or activity A is followed by another event or activity B. Accordingly, the three most basic concepts of BPMN are event, activity, and arc. Events are represented by circles, activities by rounded rectangles, and arcs (called *sequence flows* in BPMN) are represented by arrows with a full arrow-head.

Example 3.1 Figure 3.1 shows a simple sequence of activities modeling an order fulfillment process in BPMN. This process starts whenever a purchase order has been received from a customer. The first activity that is carried out is confirming the order. Next, the shipment address is received so that the product can be shipped to the customer. Afterwards, the invoice is emitted and once the payment is received the order is archived, thus completing the process.

From the example above we notice that the two events are depicted with two slightly different symbols. We use circles with a thin border to capture start events and circles with a thick border to capture end events. Start and end events have an important role in a process model: the start event indicates when *instances* of the process start whereas the end event indicates when instances complete. For example, a new instance of the order fulfillment process is triggered whenever a purchase order is received, and completes when the order is fulfilled. Let us imagine that the order fulfillment process is carried out at a seller’s organization. Every day this organization will run a number of instances of this process, each instance being independent of the others. Once a process instance has been spawned, we use the notion of *token* to identify the progress (or *state*) of that instance. Tokens are created in a start event, flow throughout the process model until they are destroyed in an end event. We depict tokens as colored dots on top of a process model. For example Fig. 3.2 shows the state of three instances of the order fulfillment process: one instance has just started (black token on the start event), another is shipping the product (red token on activity “Ship product”), and the third one has received the payment and is about to start archiving the order (green token in the sequence flow between “Receive payment” and “Archive order”).

While it comes natural to give a name (also called *label*) to each activity, we should not forget to give labels to events as well. For example, giving a name to each start event allows us to communicate what triggers an instance of the process,

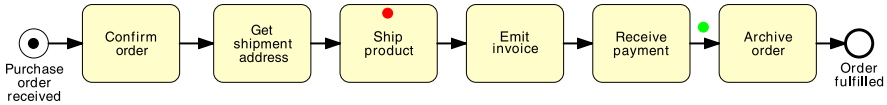


Fig. 3.2 Progress of three instances of the order fulfillment process

meaning, when should a new instance of the process be started. Similarly, giving a label to each end event allows us to communicate what conditions hold when an instance of the process completes, i.e. what the outcome of the process is.

We recommend the following naming conventions. For activities, the label should begin with a verb in the imperative form followed by a noun, typically referring to a business object, e.g. “Approve order”. The noun may be preceded by an adjective, e.g. “Issue driver license”, and the verb may be followed by a complement to explain how the action is being done, e.g. “Renew driver license via offline agencies”. However, we will try to avoid long labels as this may hamper the readability of the model. As a rule of thumb, we will avoid labels with more than five words excluding prepositions and conjunctions. Articles are typically avoided to shorten labels. For events, the label should begin with a noun (again, this would typically be a business object) and end with a verb in past participle form, e.g. “Invoice emitted”. The verb is a past participle to indicate something that has just happened. Similar to activity labels, the noun may be prefixed by an adjective, e.g. “Urgent order sent”. We capitalize the first word of activity and event labels.

General verbs like “to make”, “to do”, “to perform” or “to conduct” should be replaced with meaningful verbs that capture the specifics of the activity being performed or the event occurring. Words like “process” or “order” are also ambiguous in terms of their part of speech. Both can be used as a verb (“to process”, “to order”) and as a noun (“a process”, “an order”). We recommend to use such words consistently, only in one part of speech, e.g. “order” always as a noun.

To name a process model we should use a noun, potentially preceded by an adjective, e.g. “order fulfillment” or “claim handling” process. This label can be obtained by nominalizing the verb describing the main action of a business process, e.g. “fulfill order” (the main action) becomes “order fulfillment” (the process label). Nouns in hyphenated form like “order-to-cash” and “procure-to-pay” indicating the sequence of main actions in the process, are also possible.

We do not capitalize the first word of process names, e.g. the “order fulfillment” process. By following such naming conventions we will keep our models more consistent, make them easier to understand for communication purposes and increase their reusability.

The example in Fig. 3.1 represents one possible way of modeling the order fulfillment process. However, we could have produced a quite different process model. For example, we could have neglected certain activities or expanded on certain others, depending on the specific intent of our modeling. The box “A bit on modeling theory” reflects on the properties that underpin a model and relates these to the specific case of process models.

A BIT ON MODELING THEORY

A model is characterized by three properties: mapping, abstraction, and fit for purpose. First, a model implies a *mapping* of a real-world phenomenon—the modeling subject. For example, a residential building to be constructed could be modeled via a timber miniature. Second, a model only documents relevant aspects of the subject, i.e. it *abstracts* from certain details that are irrelevant. The timber model of the building clearly abstracts from the materials the building will be constructed from. Third, a model serves a particular *purpose*, which determines the aspects of reality to omit when creating a model. Without a specific purpose, we would have no indication on what to omit. Consider the timber model again. It serves the purpose of illustrating how the building will look like. Thus, it neglects aspects that are irrelevant for judging the appearance, like the electrical system of the building. So we can say that a model is a means to abstract from a given subject with the intent of capturing specific aspects of the subject.



Fig. 3.3 A building (a), its timber miniature (b) and its blueprint (c). ((b): © 2010, Bree Industries; (c): used by permission of planetclaire.org)

A way to determine the purpose of a model is to understand the *target audience* of the model. In the case of the timber model, the target audience could be a prospective buyer of the building. Thus, it is important to focus on the appearance of the building, rather than on the technicalities of the construction. On the other hand, the timber model would be of little use to an engineer who has to design the electrical system. In this case, a blueprint of the building would be more appropriate.

Thus, when modeling a business process, we need to keep in mind the specific purpose and target audience for which we are creating the model. There are two main purposes for process modeling: *organizational design* and *application system design*. Process models for organizational design are *business-oriented*. They are built by process analysts and mainly used for understanding and communication, but also for benchmarking and improvement. As such, they need to be intuitive enough to be comprehended by the various stakeholders, and will typically abstract from IT-related aspects. The target audience includes managers, process owners and business analysts. Process models for application system design are *IT-oriented*. They are built by

system engineers and developers, and used for automation. Thus, they must contain implementation details in order to be deployed to a BPMS, or used as blueprints for software development.

In this and in the next chapter we will focus on the business-oriented process models. In Chap. 9 we will learn how to turn these process models executable.

3.2 Branching and Merging

Activities and events may not necessarily be performed sequentially. For example, in the context of a claim handling process, the approval and the rejection of a claim are two activities which exclude each other. So these activities cannot be performed in sequence, since an instance of this process will perform either of these activities. When two or more activities are alternative to each other, we say they are *mutually exclusive*.

Let us consider another situation. In the claim handling process, once the claim has been approved, the claimant is notified and the disbursement is made. Notification and disbursement are two activities which are typically performed by two different business units, hence they are independent of each other and as such they do not need to be performed in sequence: they can be performed in parallel, i.e. at the same time. When two or more activities are not interdependent, they are *concurrent*.

To model these behaviors we need to introduce the notion of *gateway*. The term gateway implies that there is a gating mechanism that either allows or disallows passage of tokens through the gateway. As tokens arrive at a gateway, they can be merged together on input, or split apart on output depending on the gateway type. We depict gateways as diamonds and distinguish them between splits and joins. A *split* gateway represents a point where the process flow diverges while a *join* gateway represents a point where the process flow converges. Splits have one incoming sequence flow and multiple outgoing sequence flows (representing the branches that diverge), while joins have multiple incoming sequence flows (representing the branches to be merged) and one outgoing sequence flow.

Let us now see how examples like the above ones can be modeled with gateways.

3.2.1 Exclusive Decisions

To model the relation between two or more alternative activities, like in the case of the approval or rejection of a claim, we use an *exclusive (XOR) split*. We use an *XOR-join* to merge two or more alternative branches that may have previously been

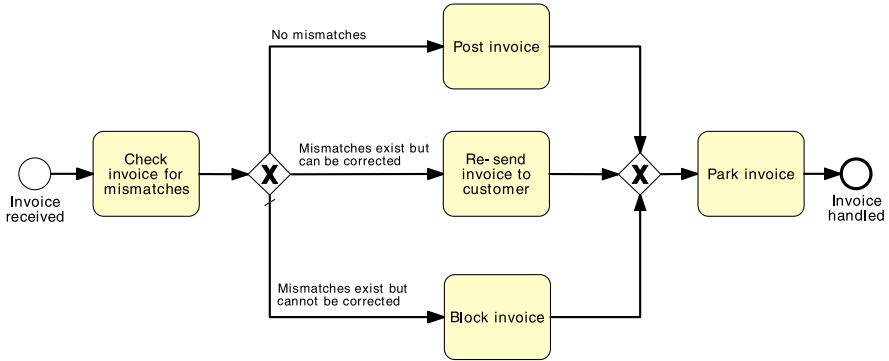


Fig. 3.4 An example of the use of XOR gateways

forked with an XOR-split. An XOR gateway is indicated with an empty diamond or with a diamond marked with an “X”. From now on, we will always use the “X” marker.

Example 3.2 Invoice checking process.

As soon as an invoice is received from a customer, it needs to be checked for mismatches. The check may result in either of these three options: i) there are no mismatches, in which case the invoice is posted; ii) there are mismatches but these can be corrected, in which case the invoice is re-sent to the customer; and iii) there are mismatches but these cannot be corrected, in which case the invoice is blocked. Once one of these three activities is performed the invoice is parked and the process completes.

To model this process we start with a decision activity, namely “Check invoice for mismatches” following a start event “Invoice received”. A *decision activity* is an activity that leads to different outcomes. In our example, this activity results in three possible outcomes, which are mutually exclusive; so we need to use an XOR-split after this activity to fork the flow into three branches. Accordingly, three sequence flows will emanate from this gateway, one towards activity “Post invoice”, performed if there are no mismatches, another one towards “Re-send invoice to customer”, performed if mismatches exist but can be corrected, and a third flow towards “Block invoice”, performed if mismatches exist which cannot be corrected (see Fig. 3.4). From a token perspective, an XOR-split routes the token coming from its incoming branch towards one of its outgoing branches, i.e. only one outgoing branch can be taken.

When using an XOR-split, make sure each outgoing sequence flow is annotated with a label capturing the condition upon which that specific branch is taken. Moreover, always use mutually exclusive conditions, i.e. only one of them can be true every time the XOR-split is reached by a token. This is the characteristic of the XOR-split gateway. In our example an invoice can either be correct, or contain mismatches that can be fixed, or mismatches that cannot be fixed: only one of these conditions is true per invoice received.

In Fig. 3.4 the flow labeled “mismatches exist but cannot be corrected” is marked with an oblique cut. This notation is optional and is used to indicate the *default flow*, i.e. the flow that will be taken by the token coming from the XOR-split in case the conditions attached to all the other outgoing flows evaluate to false. Since this arc has the meaning of *otherwise*, it can be left unlabeled. However, we highly recommend to still label this arc with a condition for readability purposes.

Once either of the three alternative activities has been executed, we merge the flow back in order to execute activity “Park invoice” which is common to all three cases. For this we use an XOR-join. This particular gateway acts as a *passthrough*, meaning that it waits for a token to arrive from one of its input arcs and as soon as it receives the token, it sends the token to the output arc. In other words, with an XOR-join we proceed whenever an incoming branch has completed.

Coming back to our example, we complete the process model with an end event “Invoice handled”. Make sure to always complete a process model with an end event, even if it is obvious how the process would complete.

Exercise 3.1 Model the following fragment of a business process for assessing loan applications.

Once a loan application has been approved by the loan provider, an acceptance pack is prepared and sent to the customer. The acceptance pack includes a repayment schedule which the customer needs to agree upon by sending the signed documents back to the loan provider. The latter then verifies the repayment agreement: if the applicant disagreed with the repayment schedule, the loan provider cancels the application; if the applicant agreed, the loan provider approves the application. In either case, the process completes with the loan provider notifying the applicant of the application status.

3.2.2 Parallel Execution

When two or more activities do not have any order dependencies on each other (i.e. one activity does not need to follow the other, nor it excludes the other) they can be executed concurrently, or *in parallel*. The *parallel (AND) gateway* is used to model this particular relation. Specifically, we use an *AND-split* to model the parallel execution of two or more branches, and an *AND-join* to synchronize the execution of two or more parallel branches. An AND gateway is depicted as a diamond with a “+” mark.

Example 3.3 Security check at the airport.

Once the boarding pass has been received, passengers proceed to the security check. Here they need to pass the personal security screening and the luggage screening. Afterwards, they can proceed to the departure level.

This process consists of four activities. It starts with activity “Proceed to security check” and finishes with activity “Proceed to departure level”. These two activities have a clear order dependency: a passenger can only go to the departure level after

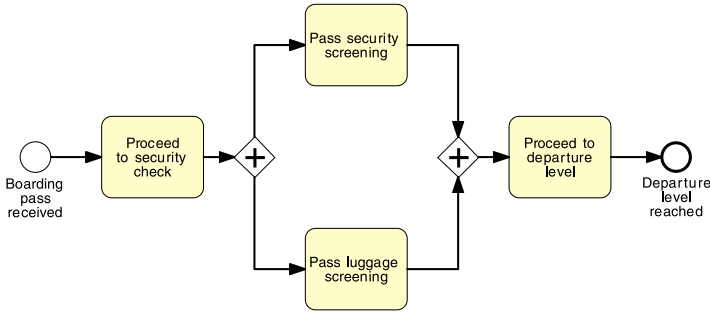


Fig. 3.5 An example of the use of AND gateways

undergoing the required security checks. After the first activity, and before the last one, we need to perform two activities which can be executed in any order, i.e. which do not depend on each other: “Pass personal security screening” and “Pass luggage screening”. To model this situation we use an AND-split linking activity “Proceed to security check” with the two screening activities, and an AND-join linking the two screening activities with activity “Proceed to departure level” (see Fig. 3.5).

The AND-split *splits* the token coming from activity “Proceed to security check” into two tokens. Each of these tokens independently flows through one of the two branches. This means that when we reach an AND-split, we take all outgoing branches (note that an AND-split may have multiple outgoing arcs). As we said before, a token is used to indicate the state of a given instance. When multiple tokens of the same color are distributed across a process model, e.g. as a result of executing an AND-split, they collectively represent the state of an instance. For example, if a token is on the arc emitting from activity “Pass luggage screening” and another token of the same color is on the arc incident to activity “Pass personal security screening”, this indicates an instance of the security check process where a passenger has just passed the luggage screening but not yet started the personal security screening.

The AND-join of our example waits for a token to arrive from each of the two incoming arcs, and once they are all available, it *merges* the tokens back into one. The single token is then sent to activity “Proceed to departure level”. This means that we proceed when all incoming branches have completed (note again that an AND-join may have multiple incoming arcs). This behavior of waiting for a number of tokens to arrive and then merging the tokens into one is called *synchronization*.

Example 3.4 Let us extend the order fulfillment example of Fig. 3.1 by assuming that a purchase order is only confirmed if the product is in stock, otherwise the process completes by rejecting the order. Further, if the order is confirmed, the shipment address is received and the requested product is shipped *while* the invoice is emitted and the payment is received. Afterwards, the order is archived and the process completes.

The resulting model is shown in Fig. 3.6. Let us make a couple of remarks. First, this model has two activities that are mutually exclusive: “Confirm order” and “Re-

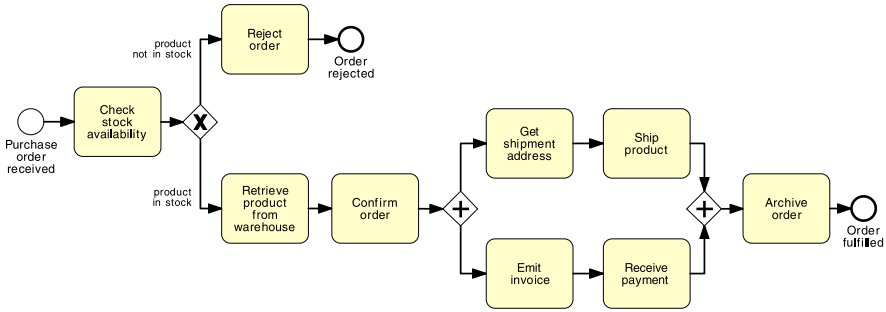


Fig. 3.6 A more elaborated version of the order fulfillment process diagram

ject order”, thus we preceded them with an XOR-split (remember to put an activity before an XOR-split to allow the decision to be taken, such as a check like in this case, or an approval). Second, the two sequences “Get shipment address”–“Ship product” and “Emit invoice”–“Receive payment” can be performed independently of each other, so we put them in a block between an AND-split and an AND-join. In fact, these two sets of activities are typically handled by different resources within a seller’s organization, like a sales clerk for the shipment and a financial officer for the invoice, and thus can be executed in parallel (note the word “meantime” in the process description, which indicates that two or more activities can be performed at the same time).

Let us compare this new version of the order fulfillment process with that in Fig. 3.1 in terms of events. The new version features two end events while the first version features one end event. In a BPMN model we can have multiple end events, each capturing a different outcome of the process (e.g. balance paid vs. arrears processed, order approved vs. order rejected). BPMN adopts the so-called *implicit termination* semantics, meaning that a process instance completes only when each token flowing in the model reaches an end event. Similarly, we can have multiple start events in a BPMN model, each event capturing a different trigger to start a process instance. For example, we may start our order fulfillment process either when a new purchase order is received or when a revised order is resubmitted. If a revised order is resubmitted, we first retrieve the order details from the orders database, and then continue with the rest of the process. This variant of the order fulfillment model is shown in Fig. 3.7. An instance of this process model is triggered by the first event that occurs (note the use of an XOR-join to merge the branches coming from the two start events).

Exercise 3.2 Model the following fragment of a business process for assessing loan applications.

A loan application is approved if it passes two checks: (i) the applicant’s loan risk assessment, done automatically by a system, and (ii) the appraisal of the property for which the loan has been asked, carried out by a property appraiser. The risk assessment requires a

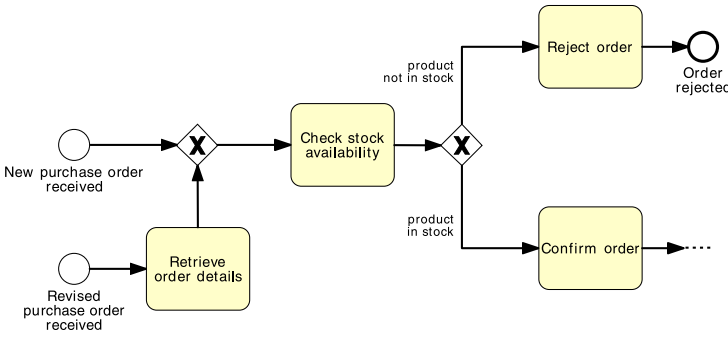


Fig. 3.7 A variant of the order fulfillment process with two different triggers

credit history check on the applicant, which is performed by a financial officer. Once both the loan risk assessment and the property appraisal have been performed, a loan officer can assess the applicant’s eligibility. If the applicant is not eligible, the application is rejected, otherwise the acceptance pack is prepared and sent to the applicant.

There are two situations when a gateway can be omitted. An XOR-join can be omitted before an activity or event. In this case, the incoming arcs to the XOR-join are directly connected to the activity/event. An example of this shorthand notation is shown in Fig. 1.6, where there are two incident arcs to activity “Select suitable equipment”. An AND-split can also be omitted when it follows an activity or event. In this case, the outgoing arcs of the AND-split emanate directly from the activity/event.

3.2.3 Inclusive Decisions

Sometimes we may need to take one *or more* branches after a decision activity. Consider the following business process.

Example 3.5 Order distribution process.

A company has two warehouses that store different products: Amsterdam and Hamburg. When an order is received, it is distributed across these warehouses: if some of the relevant products are maintained in Amsterdam, a sub-order is sent there; likewise, if some relevant products are maintained in Hamburg, a sub-order is sent there. Afterwards, the order is registered and the process completes.

Can we model the above scenario using a combination of AND and XOR gateways? The answer is yes. However, there are some problems. Figures 3.8 and 3.9 show two possible solutions. In the first one, we use an XOR-split with three alternative branches: one taken if the order only contains Amsterdam products (where the sub-order is forwarded to the Amsterdam warehouse), another taken if the order only contains Hamburg products (similarly, in this branch the sub-order is forwarded

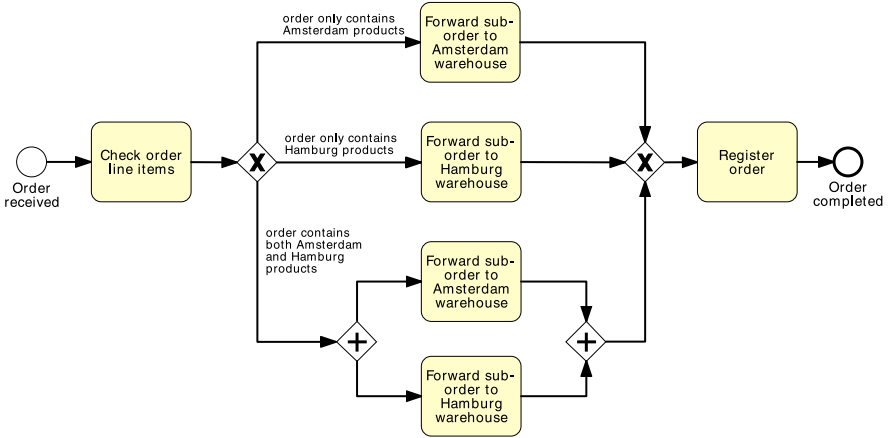


Fig. 3.8 Modeling an inclusive decision: first trial

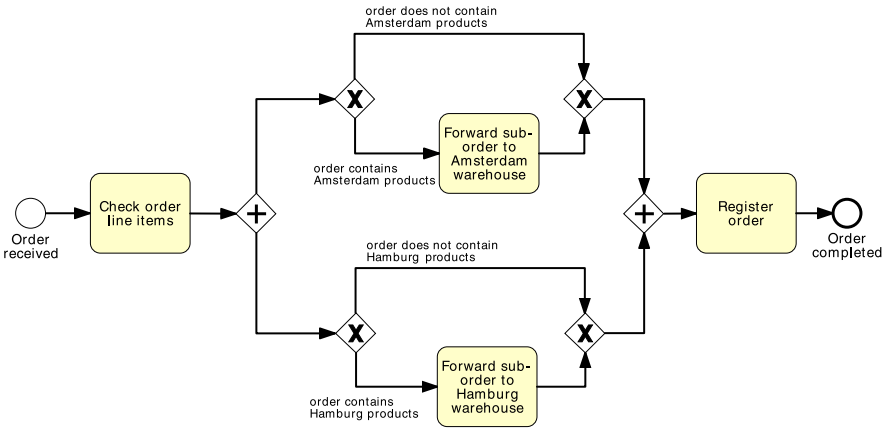


Fig. 3.9 Modeling an inclusive decision: second trial

to the Hamburg warehouse), and a third branch to be taken in case the order contains products from both warehouses (in which case sub-orders are forwarded to both warehouses). These three branches converge in an XOR-join which leads to the registration of the order.

While this model captures our scenario correctly, the resulting diagram is somewhat convoluted, since we need to duplicate the two activities that forward sub-orders to the respective warehouses twice. And if we had more than two warehouses, the number of duplicated activities would increase. For example, if we had three warehouses, we would need an XOR-split with seven outgoing branches, and each activity would need to be duplicated four times. Clearly this solution is not scalable.

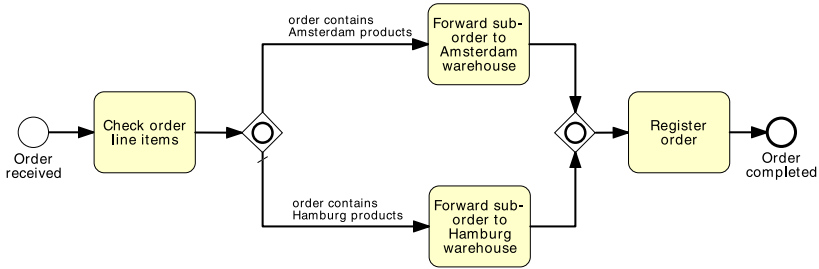


Fig. 3.10 Modeling an inclusive decision with the OR gateway

In the second solution we use an AND-split with two outgoing arcs, each of which leads to an XOR-split with two alternative branches. One is taken if the order contains Amsterdam (Hamburg) products, in which case an activity is performed to forward the sub-order to the respective warehouse; the other branch is taken if the order does not contain any Amsterdam (Hamburg) products, in which case nothing is done until the XOR-join, which merges the two branches back. Then an AND-join merges the two parallel branches coming out of the AND-split and the process completes by registering the order.

What is the problem with this second solution? The example scenario allows three cases: the products are in Amsterdam only, in Hamburg only, or in both warehouses, while this solution allows one more case, i.e. when the products are in neither of the warehouses. This case occurs when the two empty branches of the two XOR-splits are taken and results in doing nothing between activity “Check order line items” and activity “Register order”. Thus this solution, despite being more compact than the first one, is wrong.

To model situations where a decision may lead to one or more options being taken at the same time, we need to use an *inclusive (OR) split gateway*. An *OR-split* is similar to the XOR-split, but the conditions on its outgoing branches do not need to be mutually exclusive, i.e. more than one of them can be true at the same time. When we encounter an OR-split, we thus take one or more branches depending on which conditions are true. In terms of token semantics, this means that the OR-split takes the input token and generates a number of tokens equivalent to the number of output conditions that are true, where this number can be at least one and at most as the total number of outgoing branches. Similar to the XOR-split gateway, an OR-split can also be equipped with a default flow, which is taken only when all other conditions evaluate to false.

Figure 3.10 shows the solution to our example using the OR gateway. After the sub-order has been forwarded to either of the two warehouses or to both, we use an *OR-join* to synchronize the flow and continue with the registration of the order. An OR-join proceeds when all *active* incoming branches have completed. Waiting for an active branch means waiting for an incoming branch that will ultimately de-

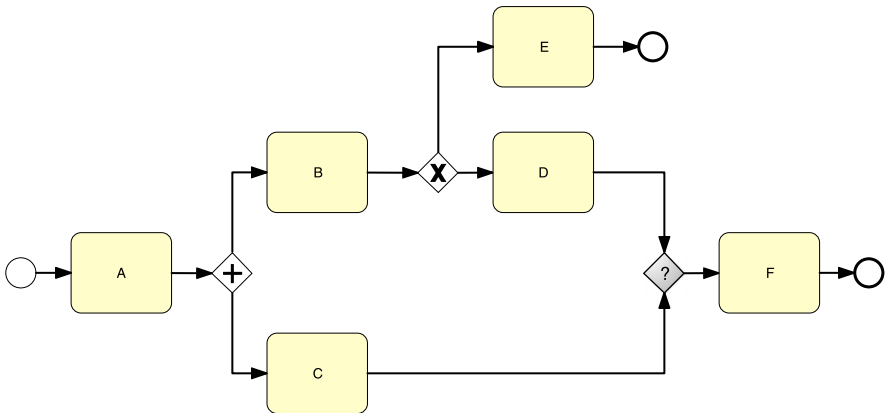


Fig. 3.11 What type should the join gateway have such that instances of this process can complete correctly?

liver a token to the OR-join. If the branch is active, the OR-join will wait for that token, otherwise it will not. Once all tokens of active branches have arrived, the OR-join synchronizes these tokens into one (similarly to what an AND-join does) and sends that token to its output arc. We call this behavior *synchronizing merge* as opposed to the simple merge of the XOR-join and the synchronization of the AND-join.

Let us delve into the concept of active branch. Consider the model in Fig. 3.11, which features a join gateway with undefined type (the one grayed out with a question mark). What type should we assign to this join? Let us try an AND-join to match the preceding AND-split. We recall that an AND-join waits for a token to arrive from each incoming branch. While the token from the branch with activity “C” will always arrive, the token from the branch with activities “B” and “D” may not arrive if this is routed to “E” by the XOR-split. So if activity “D” is not executed, the AND-join will wait indefinitely for that token, with the consequence that the process instance will not be able to progress any further. This behavioral anomaly is called *deadlock* and should be avoided.

Let us try an XOR-join. We recall that the XOR-join works as a passthrough by forwarding to its output branch each token that arrives through one of its input branches. In our example this means that we may execute activity “F” once or twice, depending whether the preceding XOR-split routes the token to “E” (in this case “F” is executed once) or to “D” (“F” is executed twice). While this solution may work, we have the problem that we do not know whether activity “F” will be executed once or twice, and we may actually not want to execute it twice. Moreover, if this is the case, we would signal that the process has completed twice, since the end event following “F” will receive two tokens. And this, again, is something we want to avoid.

The only join type left to try is the OR-join. An OR-join will wait for all incoming active branches to complete. If the XOR-split routes control to “E”, the OR-join will not wait for a token from the branch bearing activity “D”, since this will never arrive. Thus, it will proceed once the token from activity “C” arrives. On the other hand, if the XOR-split routes control to “D”, the OR-join will wait for a token to also arrive from this branch, and once both tokens have arrived, it will merge them into one and send this token out, so that “F” can be executed once and the process can complete normally.

Question When should we use an OR-join?

Since the OR-join semantics is not simple, the presence of this element in a model may confuse the reader. Thus, we suggest to use it only when it is strictly required. Clearly, it is easy to see that an OR-join must be used whenever we need to synchronize control from a preceding OR-split. Similarly, we should use an AND-join to synchronize control from a preceding AND-split and an XOR-join to merge a set of branches that are mutually exclusive. In other cases the model will not have a lean structure like the examples in Fig. 3.8 or 3.10, where the model is made up of nested blocks each delimited by a split and a join of the same type. The model may rather look like that in Fig. 3.11, where there can be entry points into, or exist points from a block-structure. In these cases play the token game to understand the correct join type. Start with an XOR-join; next try an AND-join and if both gateways lead to incorrect models use the OR-join which will work for sure.

Now that we have learned the three core gateways, let us use them to extend the order fulfillment process. Assume that if the product is not in stock, it can be manufactured. In this way, an order can never be rejected.

Example 3.6

If the product requested is not in stock, it needs to be manufactured before the order handling can continue. To manufacture a product, the required raw materials have to be ordered. Two preferred suppliers provide different types of raw material. Depending on the product to be manufactured, raw materials may be ordered from either Supplier 1 or Supplier 2, or from both. Once the raw materials are available, the product can be manufactured and the order can be confirmed. On the other hand, if the product is in stock, it is retrieved from the warehouse before confirming the order. Then the process continues normally.

The model for this extended order fulfillment process is shown in Fig. 3.12.

Exercise 3.3 Model the following fragment of a business process for assessing loan applications.

A loan application may be coupled with a home insurance which is offered at discounted prices. The applicant may express their interest in a home insurance plan at the time of submitting their loan application to the loan provider. Based on this information, if the loan application is approved, the loan provider may either only send an acceptance pack to the applicant, or also send a home insurance quote. The process then continues with the verification of the repayment agreement.

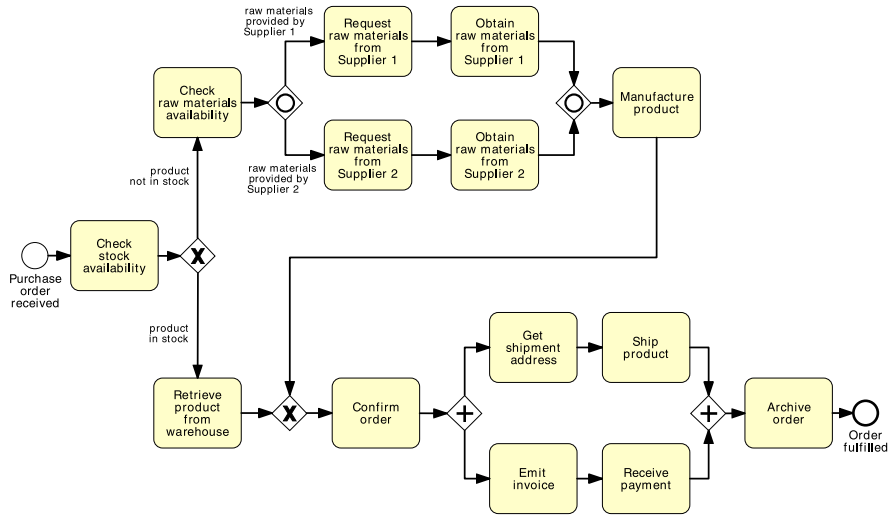


Fig. 3.12 The order fulfillment process diagram with product manufacturing

3.2.4 Rework and Repetition

So far we have seen structures that are linear, i.e. each activity is performed at most once. However, sometimes we may require to repeat one or several activities, for instance because of a failed check.

Example 3.7

In the treasury minister’s office, once a ministerial inquiry has been received, it is first registered into the system. Then the inquiry is investigated so that a ministerial response can be prepared. The finalization of a response includes the preparation of the response itself by the cabinet officer and the review of the response by the principal registrar. If the registrar does not approve the response, the latter needs to be prepared again by the cabinet officer for review. The process finishes only once the response has been approved.

To model rework or repetition we first need to identify the activities, or more in general the fragment of the process, that can be repeated. In our example this consists of the sequence of activities “Prepare ministerial response” and “Review ministerial response”. Let us call this our *repetition block*. The property of a repetition block is that the last of its activities must be a decision activity. In fact, this will allow us to decide whether to go back before the repetition block starts, so that this can be repeated, or to continue with the rest of the process. As such, this decision activity should have two outcomes. In our example the decision activity is “Review ministerial response” and its outcomes are: “response approved” (in this case we continue with the process) and “response not approved” (we go back). To model these two outcomes, we use an XOR-split with two outgoing branches: one which allows us to continue with the rest of the process (in our example, this is simply

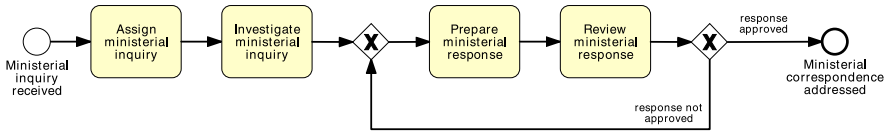


Fig. 3.13 A process model for addressing ministerial correspondence

the end event “Ministerial correspondence addressed”), the other which goes back to before activity “Prepare ministerial response”. We use an XOR-join to reconnect this branch to the point of the process model just before the repetition block. The model for our example is illustrated in Fig. 3.13.

Question Why do we need to merge the loopback branch of a repetition block with an XOR-join?

The reason for using an XOR-join is that this gateway has a very simple semantics: it moves any token it receives in its input arc to its output arc, which is what we need in this case. In fact, if we merged the loopback branch with the rest of the model using an AND-join we would deadlock since this gateway would try to synchronize the two incoming branches when we know that only one of them can be active at a time: if we were looping we would receive the token from the loopback branch; otherwise we would receive it from the other branch indicating that we are entering the repetition block for the first time. An OR-join would work but is an overkill since we know that only one branch will be active at a time.

Exercise 3.4 Model the following fragment of a business process for assessing loan applications.

Once a loan application is received by the loan provider, and before proceeding with its assessment, the application itself needs to be checked for completeness. If the application is incomplete, it is returned to the applicant, so that they can fill out the missing information and send it back to the loan provider. This process is repeated until the application is found complete.

We have learned how to combine activities, events, and gateways to model basic business processes. For each such element we have showed its graphical representation, the rules for combining it with other modeling elements and explained its behavior in terms of token rules. All these aspects fall under the term *components of a modeling language*. If you want to know more about this topic, you can read the box “Components of a modeling language”.

COMPONENTS OF A MODELING LANGUAGE

A modeling language consists of three parts: syntax, semantics, and notation. The *syntax* provides a set of modeling elements and a set of rules to govern

how these elements can be combined. The *semantics* bind the syntactical elements and their textual descriptions to a precise meaning. The *notation* defines a set of graphical symbols for the visualization of the elements.

For example, the BPMN syntax includes activities, events, gateways, and sequence flows. An example of syntactical rule is that start events only have outgoing sequence flows whereas end events only have incoming sequence flows. The BPMN semantics describes which kind of behavior is represented by the various elements. In essence, this relates to the question how the elements can be executed in terms of token flow. For example, an AND-join has to wait for all incoming branches to complete before it can pass control to its outgoing branch. An example of BPMN notation is the use of labeled rounded boxes to depict activities.

3.3 Information Artifacts

As shown in Chap. 2, a business process entails different organizational aspects such as functions, business artifacts, humans, and software systems. These aspects are captured by different process modeling perspectives. So far we have seen the *functional perspective*, which indicates what activities should happen in the process, and the *control-flow perspective*, which indicates when activities and events should occur. Another important perspective that we ought to consider when modeling business processes is the *data perspective*. The data perspective indicates which information artifacts (e.g. business documents, files) are required to perform an activity and which ones are produced as a result of performing an activity.

Let us enrich the order fulfillment process of Example 3.6 with artifacts. Let us start by identifying the artifacts that each activity requires in order to be executed, and those that each activity creates as a result of its execution. For example, the first activity of the order fulfillment process is “Check stock availability”. This requires a Purchase order as input in order to check whether or not the ordered product is in stock. This artifact is also required by activity “Check raw materials availability” should the product be manufactured. Artifacts like Purchase order are called *data objects* in BPMN. Data objects represent information flowing in and out of activities; they can be physical artifacts such as an invoice or a letter on a piece of paper, or electronic artifacts such as an e-mail or a file. We depict them as a document with the upper-right corner folded over, and link them to activities with a dotted arrow with an open arrowhead (called *data association* in BPMN). Figure 3.14 shows the data objects involved in the order fulfillment process model.

We use the direction of the data association to establish whether a data object is an input or output for a given activity. An incoming association, like the one used from Purchase order to activity “Check stock availability”, indicates that Purchase order is an input object for this activity; an outgoing association, like the one used

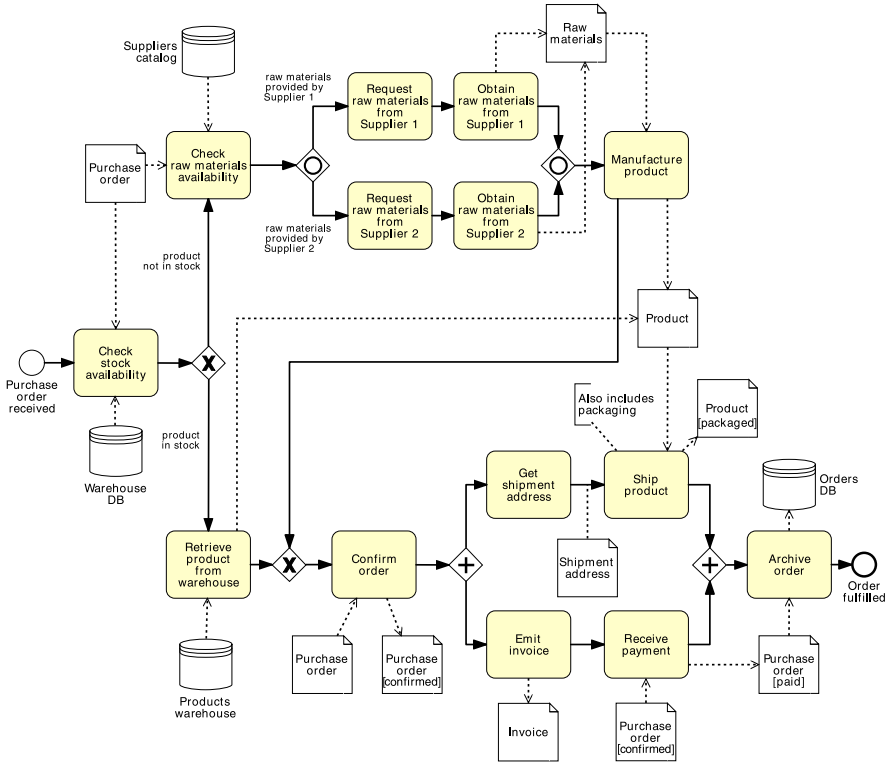


Fig. 3.14 The order fulfillment example with artifacts

from activity “Obtain raw materials from Supplier 1” to Raw materials, indicates that Raw materials is an output object for this activity. To avoid cluttering the diagram with data associations that cross sequence flows, we may repeat a data object multiple times within the same process model. However, all occurrences of a given object do conceptually refer to the same artifact. For example, in Fig. 3.14 Purchase order is repeated twice as input to “Check stock availability” and to “Confirm order” since these two activities are far away from each other in terms of model layout.

Often the output from an activity coincides with the input to a subsequent activity. For example, once Raw materials have been obtained, these are used by activity “Manufacture product” to create a Product. The Product in turn is packaged and sent to the customer by activity “Ship product”. Effectively, data objects allow us to model the information flow between process activities. Bear in mind, however, that data objects and their associations with activities cannot replace the sequence flow. In other words, even if an object is passed from an activity A to an activity B, we still need to model the sequence flow from A to B. A shorthand notation for passing an object from an activity to the other is by directly connecting the data object to the sequence flow between two consecutive activities via an undirected association. See for example the Shipment address being passed from activity “Get

shipment address” to activity “Ship product”, which is a shorthand for indicating that Shipment address is an output of “Get shipment address” and an input to “Ship product”.

Sometimes we may need to represent the *state* of a data object. For instance, activity “Confirm order” takes a Purchase order as input, and returns a “confirmed” Purchase order as output: input and output objects are the same, but the object’s state has changed to “confirmed”. Similarly, activity “Receive payment” takes as input a “confirmed” Purchase order and transforms it into a “paid” Purchase order. An object can go through a number of states, e.g. an invoice is first “opened”, then “approved” or “rejected” and finally “archived”. Indicating data objects’ states is optional: we can do so by appending the name of the state between square brackets to a data object’s label, e.g. “Purchase Order [confirmed]”, “Product [packaged]”.

A *data store* is a place containing data objects that need to be persisted beyond the duration of a process instance, e.g. a database for electronic artifacts or a filing cabinet for physical ones. Process activities can read/write data objects from/to data stores. For example, activity “Check stock availability” retrieves the Stock levels for the ordered product from the Warehouse database, which contains Stock level information for the various Products. Similarly, activity “Check raw materials availability” consults the Suppliers catalog to check which Supplier to contact. The Warehouse database or the Supplier catalog are examples of data stores used as input to activities. An example of data store employed as output is the Orders database, which is used by activity “Archive order” to store the confirmed Purchase order. In this way, the order just archived will be available for other business processes within the same organization, e.g. for a business process that handles requests for product returns. Data stores are represented as an empty cylinder (the typical database symbol) with a triple upper border. Similar to data objects, they are connected to activities via data associations.

Question Do data objects affect the token flow?

Input data objects are required for an activity to be executed. Even if a token is available on the incoming arc of that activity, the latter cannot be executed until all input data objects are also available. A data object is available if it has been created as a result of completing a preceding activity (whose output was the data object itself), or because it is an input to the whole process (like Purchase order). Output data objects only affect the token flow indirectly, i.e. when they are used by subsequent activities.

Question Do we always need to model data objects?

Data objects help the reader understand the flow of business data from one activity to the other. However, the price to pay is an increased complexity of the diagram. Thus, we suggest to use them only when they are needed for a specific purpose, e.g. to highlight potential issues in the process under analysis (cf. Chaps. 6 and 7) or for automation (cf. Chap. 9).

Sometimes we may need to provide additional information to the process model reader, for the sake of improving the understanding of the model. For example, in the order fulfillment process we may want to specify that activity “Ship product” includes the packaging of the product. Also, we may want to clarify what business rule is followed behind the choice of raw materials from Suppliers. Such additional information can be provided via *text annotations*. An annotation is depicted as an open-ended rectangle encapsulating the text of the annotation, and is linked to a process modeling element via a dotted line (called *association*)—see Fig. 3.14 for an example. Text annotations do not bear any semantics, thus they do not affect the flow of tokens through the process model.

Exercise 3.5 Put together the four fragments of the loan assessment process that you created in Exercises 3.1–3.4.

Hint Look at the labels of the start/end events to understand the order dependencies among the various fragments. Then extend the resulting model by adding all the required artifacts. Moreover, attach annotations to specify the business rules behind (i) checking an application completeness, (ii) assessing an application eligibility, and (iii) verifying a repayment agreement.

3.4 Resources

A further aspect we need to consider when modeling business processes is the *resource perspective*. This perspective, also called the *organizational perspective*, indicates who or what performs which activity. *Resource* is a generic term to refer to anyone or anything involved in the performance of a process activity. A resource can be:

- A *process participant*, i.e. an individual person like the employee John Smith.
- A *software system*, for example a server or a software application.
- An *equipment*, such as a printer or a manufacturing plant.

We distinguish between *active resources*, i.e. resources that can autonomously perform an activity, and *passive resources*, i.e. resources that are merely involved in the performance of an activity. For example, a photocopier is used by a participant to make a copy of a document, but it is the participant who performs the photocopying activity. So, the photocopier is a passive resource while the participant is an active resource. A bulldozer is another example of a passive resource since it is the driver who performs the activity in which the bulldozer is used.

The resource perspective of a process is interested in active resources, so from now on with the term “resource” we refer to an “active resource”.

Frequently, in a process model we do not explicitly refer to one resource at a time, like for example an employee John Smith, but instead we refer to a group of resources that are interchangeable in the sense that any member of the group can

perform a given activity. Such groups are called *resource classes*. Examples are a whole organization, an organizational unit or a role.¹

Let us examine the resources involved in our order fulfillment example.

Example 3.8

The order fulfillment process is carried out by a seller’s organization which includes two departments: the sales department and the warehouse & distribution department. The purchase order received by warehouse & distribution is checked against the stock. This operation is carried out automatically by the ERP system of warehouse & distribution, which queries the warehouse database. If the product is in stock, it is retrieved from the warehouse before sales confirm the order. Next sales emit an invoice and wait for the payment, while the product is shipped from within warehouse & distribution. The process completes with the order archival in the sales department. If the product is not in stock, the ERP system within warehouse & distribution checks the raw materials availability by accessing the suppliers catalog. Once the raw materials have been obtained the warehouse & distribution department takes care of manufacturing the product. The process completes with the purchase order being confirmed and archived by the sales department.

BPMN provides two constructs to model resource aspects: *pools* and *lanes*. Pools are generally used to model resource classes, lanes are used to partition a pool into sub-classes or single resources. There are no constraints as to what specific resource type a pool or a lane should model. We would typically use a pool to model a *business party* like a whole organization such as the seller in our example, and a lane to model a department, unit, team or software system/equipment within that organization. In our example, we partition the Seller pool into two lanes: one for the warehouse & distribution department, the other for the sales department.

Lanes can be nested within each other in multiple levels. For example, if we need to model both a department and the roles within that department, we can use one outer lane for the department, and one inner lane for each role. In the order fulfillment example we nest a lane within Warehouse & Distribution to represent the ERP System within that department.

Pools and lanes are depicted as rectangles within which we can place activities, events, gateways, and data objects. Typically, we model these rectangles horizontally, though modeling them vertically is also possible. The name of the pool/lane is shown vertically on the left-hand side of a horizontal rectangle (or horizontally if the pool/lane is vertical); for pools, and for lanes containing nested lanes, the name is enclosed in a band. Figure 3.15 shows the revised order fulfillment example with resource aspects.

It is important to place an activity within the right lane. For example, we placed activity “Check stock availability” under the ERP System lane of Warehouse & Distribution to indicate that this activity is carried out automatically by the ERP system of that department. It is also important to place events properly within lanes. In our example we put event “Purchase order received” under the ERP system lane to indicate that the process starts within the ERP system of Warehouse & Distribution,

¹In BPMN the term “participant” is used in a broad sense as a synonym of resource class, though in this book we do not adopt this definition.

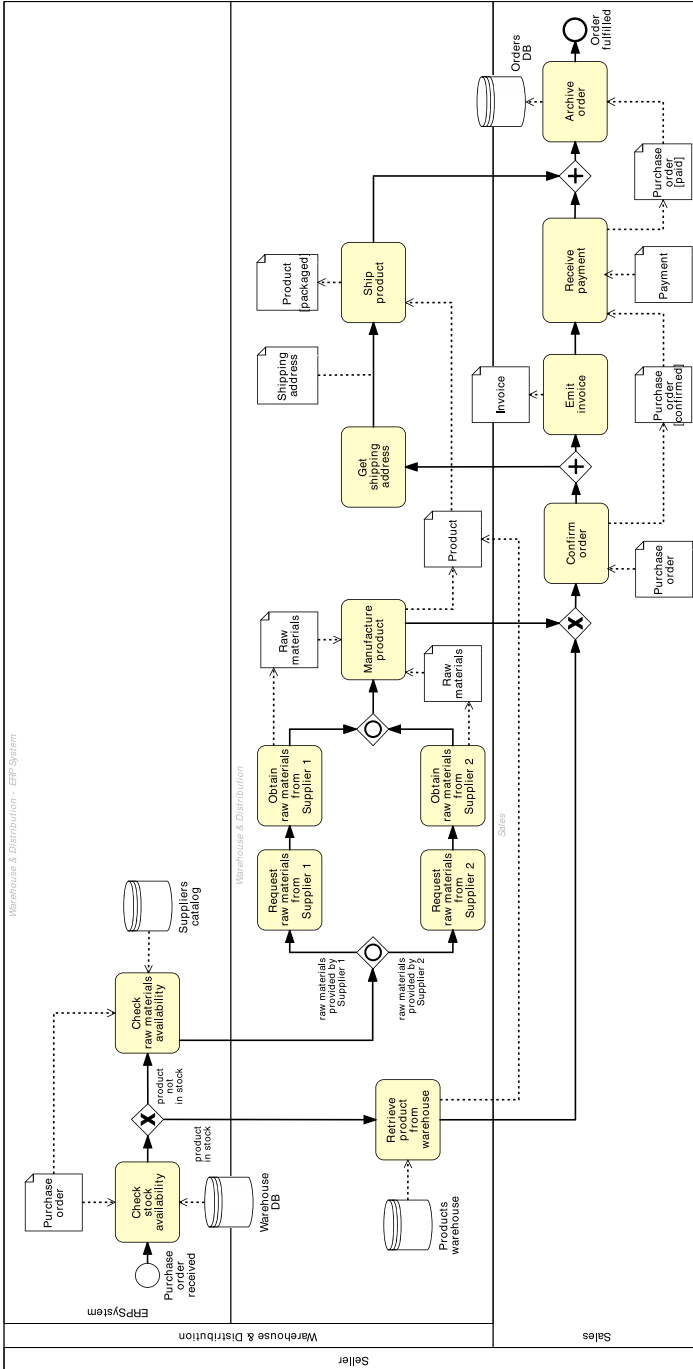


Fig. 3.15 The order fulfillment example with resource information

while we put event “Order fulfilled” under the Sales pool to indicate that the process completes in the sales department. It is not relevant where data objects are put, as they depend on the activities they are linked to. As per gateways, we need to place those modeling (X)OR-splits under the same lane as the preceding decision activity has been put in. On the other hand, it is irrelevant where we place an AND-split and all join gateways, since these elements are passive in the sense that they behave according to their context.

We may organize lanes within a pool in a matrix when we need to model complex organizational structures. For example, if we have an organization where roles span different departments, we may use horizontal lanes to model the various departments, and vertical lanes to model the roles within these departments. Bear in mind, however, that in BPMN each activity can be performed by one resource only. Thus, if an activity sits in the intersection of a horizontal lane with a vertical lane, it will be performed by the resource that fulfills the characteristics of both lanes, e.g. a resource that has that role and belongs to that department.

Exercise 3.6 Extend the business process for assessing loan applications that you created in Exercise 3.5 by considering the following resource aspects.

The process for assessing loan applications is executed by four roles within the loan provider: a financial officer takes care of checking the applicant’s credit history; a property appraiser is responsible for appraising the property; an insurance sales representative sends the home insurance quote to the applicant if this is required. All other activities are performed by the loan officer who is the main point of contact with the applicant.

Often there is more than one business party participating in the same business process. For example, in the order fulfillment process there are four parties: the seller, the customer and the two suppliers.

Each party can be modeled by a pool. In our example we can thus use one pool for the customer, one for the seller and one for each supplier. Each of these pools will contain the activities, events, gateways, and data objects that model the specific portion of the business process occurring at that organization. Or to put it differently, each pool will model the same business process from the perspective of a specific organization. For example, event “Purchase order received” which sits in the Sales pool, will have a corresponding activity “Submit purchase order” occurring in the Customer pool. Similarly, activity “Ship product” from Sales will have a counterpart activity “Receive product” in the Customer pool. So, how can we model the interactions among the pools of two collaborating organizations? We cannot use the sequence flow to connect activities that belong to different pools since the sequence flow cannot cross the boundary of a pool. For this, we need to use a specific element called *message flow*.

A message flow represents the flow of information between two separate resource classes (pools). It is depicted as a dashed line which starts with an empty circle and ends with an empty arrowhead, and bears a label indicating the content of the message, e.g. a fax, a purchase order, but also a letter or a phone call. That is, the

message flow models any type of communication between two organizations, no matter if this is electronic like sending a purchase order via e-mail or transmitting a fax, or manual like making a phone call or handing over a letter on paper.

Figure 3.16 shows the complete order fulfillment process model including the pools for the customer and the two suppliers. Here we can see that message flows are labeled with the piece of information they carry, e.g. “Raw materials” or “Shipment address”. An incoming message flow may lead to the creation of a data object by the activity that receives the message. For example, the message flow “Raw materials” is received by activity “Obtain raw materials from Supplier 1” which then creates the data object “Raw materials”. This is also the case of the purchase order, which is generated by the start event “Purchase order received” from the content of the incoming message flow. We do not need to create a data object for each incoming message flow, only when the information carried by the message is needed elsewhere in the process. In our case, “Raw materials” is consumed by activity “Manufacture product” so we need to represent it as a data object. Similarly, we do not need to explicitly represent the data object that goes into an outgoing message if this data object is not needed elsewhere in the process. For example, activity “Emit invoice” generates an invoice which is sent to the customer, but there is no data object “Invoice” since this is not consumed by any activity in the Seller pool.

A BPMN diagram that features two or more pools is called *collaboration diagram*. Figure 3.16 shows different uses of a pool in a collaboration diagram. A pool like that for the seller is called *private process*, or *white box* pool, since it shows how effectively the seller organization participates in the order fulfillment process in terms of activities, events, gateways, and data objects. On the contrary, a pool like that for the customer and the two suppliers is called *public process*, or *black box* pool, since it hides how these organizations actually participate in the order fulfillment process. In order to save space, we can represent a black box with a *collapsed pool*, which is an empty rectangle bearing the name of the pool in the middle.

Question Black box or white box?

Modeling a pool as a white box or as a black box is a matter of relevance. When working on a collaboration diagram, an organization may decide whether or not to expose their internal behavior depending on the requirements of the project at hand. For example, if we are modeling the order fulfillment process from the seller’s perspective, it may be relevant to expose the business process of the seller only, but not that of the customer and the suppliers. That is, the internal behavior of the customer and that of the suppliers are not relevant for the sake of understanding how the seller should fulfill purchase orders, and as such they can be hidden. On the other hand, if we need to improve the way the seller fulfills purchase orders, we may also want to know what it takes for a supplier to provide raw materials, as a delay in the provision of raw materials will slow down the product manufacturing

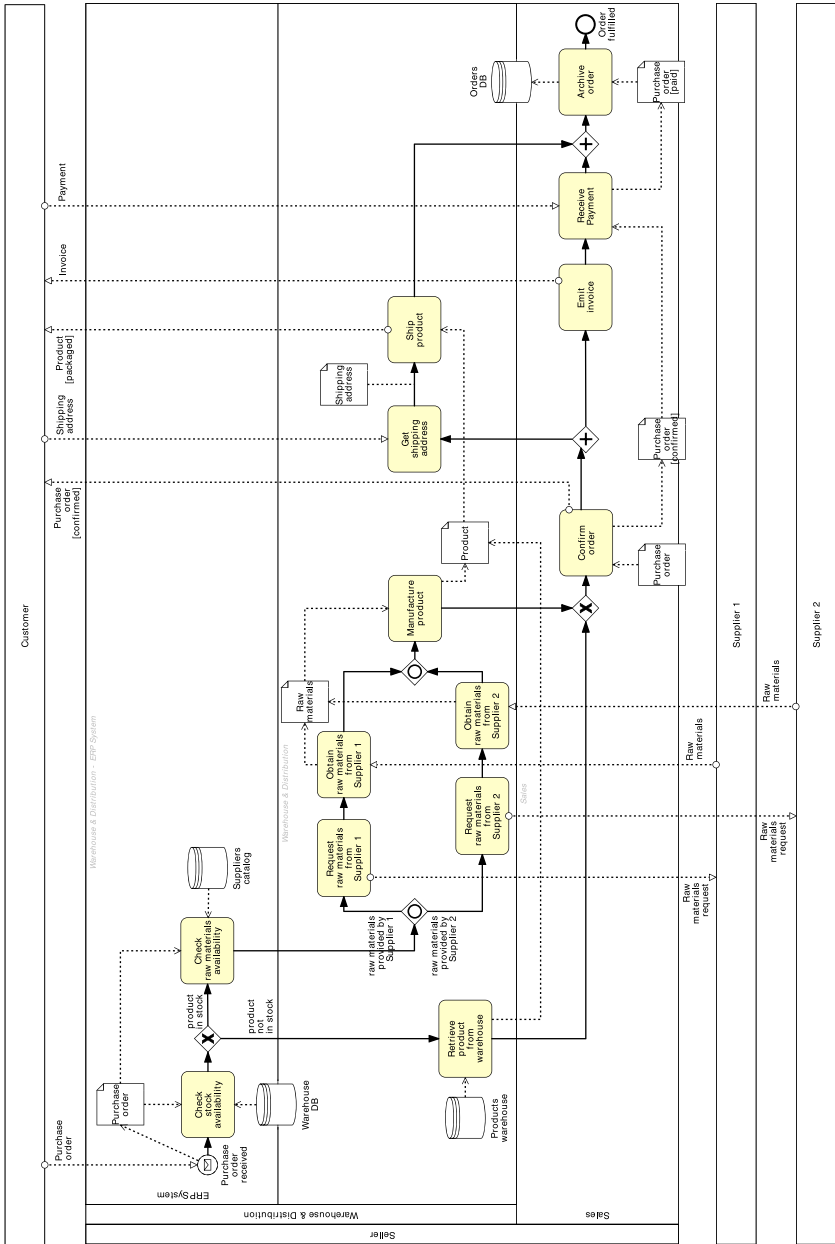


Fig. 3.16 Collaboration diagram between a seller, a customer and two suppliers

at the seller's side. In this case, we should also represent the suppliers using white box pools.

The type of pool affects the way we use the message flow to connect to the pool. Accordingly, a message flow may cross the boundary of a white box pool and connect directly to an activity or event within that pool, like the Purchase order message which is incident to the start event in the Seller pool. On the other hand, since a black box pool is empty, message flows must stop at the boundary or emanate from the boundary of a black box pool. Bear in mind that a message flow is only used to connect two pools and never to connect two activities within the same pool. For that, we use a sequence flow.

An activity that is the source of a message—such as “Emit invoice” in the Seller pool—is called a *send activity*. The message is sent upon completion of the activity's execution. On the other hand, an activity that receives a message—such as “Get shipping address”—is a *receive activity*.² The execution of such an activity will not start until the incoming message is available. An activity can act as both a receive and a send activity when it has both an incoming and outgoing message flow, e.g. “Make payment”. The execution of this activity will start when both the control-flow token and the incoming message are available. Upon completion of the activity, a control-flow token will be put on the output arc and the outgoing message will be sent out. Finally, when a message flow is incident to a start event like “Purchase order received”, we need to mark this event with a light envelope (see Fig. 3.16). This event type is called *message event*. A message event can be linked to an output data object in order to store the content of the incoming message. We will learn more about events in the next chapter.

Exercise 3.7 Extend the model of Exercise 3.6 by representing the interactions between the loan provider and the applicant.

In the order fulfillment example we used pools to represent business parties and lanes to represent the departments and systems within the sales organization. This is because we wanted to focus on the interactions between the seller, the customer and the two suppliers. As mentioned before, this is the typical use for pools and lanes. However, since BPMN does not prescribe what specific resource types should be associated with pools and lanes, we may use these elements differently. For example, if the focus is on the interactions between the departments of an organization, we can model each department with a pool, and use lanes to partition the departments, e.g. in units or roles. In any case, we should avoid to use pools and lanes to capture participants by their names since individuals tend to change frequently within an organization; rather, we should use the participant's role, e.g. financial officer. On the other hand, we can use pools and lanes to represent specific software systems or equipments, e.g. an ERP system, since these change less frequently in an organization.

²More specifically, “Emit invoice” is a *send task* and “Get shipping address” is a *receive task*. The distinction between activity and task will be discussed in Chap. 4.

3.5 Recap

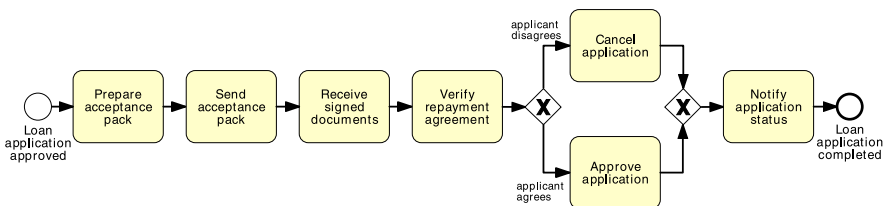
At the end of this chapter, we should be able to understand and produce basic process models in BPMN. A basic BPMN model includes simple activities, events, gateways, data objects, pools, and lanes. Activities capture units of work within a process. Events define the start and end of a process, and signal something that happens during the execution of it. Gateways model exclusive and inclusive decisions, merges, parallelism and synchronization, and repetition. We studied the difference between process model and process instance. A process model depicts all the possible ways a given business process can be executed, while a process instance captures one specific process execution out of all possible ones. The progress, or state, of a process instance is represented by tokens. Using tokens we can define the behavior of gateways.

We also learned how to use data objects to model the information flow between activities and events. A data object captures a physical or an electronic artifact required to execute an activity or trigger an event, or that results from the execution of an activity or an event occurrence. Data objects can be stored in a data store like a database or file cabinet such that they can be persisted beyond the process instance where they are created. Furthermore, we saw how pools and lanes can be used to model both human and non-human resources that perform process activities. Pools generally model resource classes while lanes are used to partition pools. The interaction between pools is captured by message flows. Message flows can be directly attached to the boundary of a pool, should the details of the interaction not be relevant.

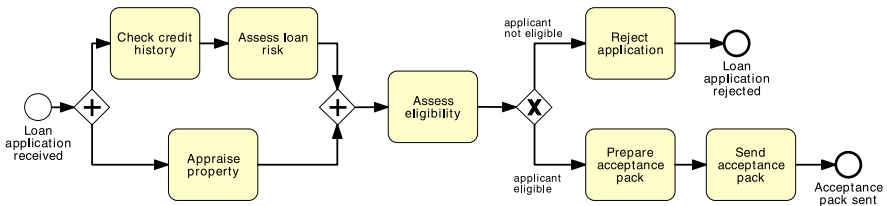
Activities, events, gateways, artifacts, and resources belong to the main modeling perspectives of a business process. The functional perspective captures the activities that are performed in a business process while the control-flow perspective combines these activities and related events in a given order. The data perspective covers the artifacts manipulated in the process while the resource perspective covers the resources that perform the various activities. In the next chapter, we will learn how to model complex business processes by delving into the various extensions of the core BPMN elements that we presented here.

3.6 Solutions to Exercises

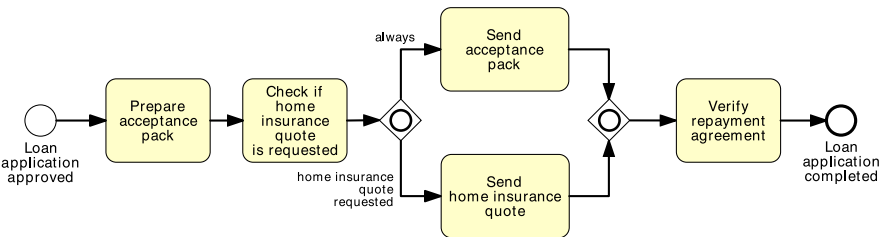
Solution 3.1



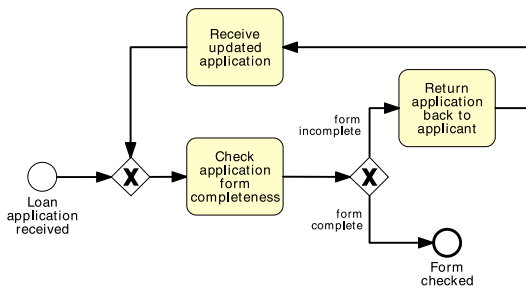
Solution 3.2



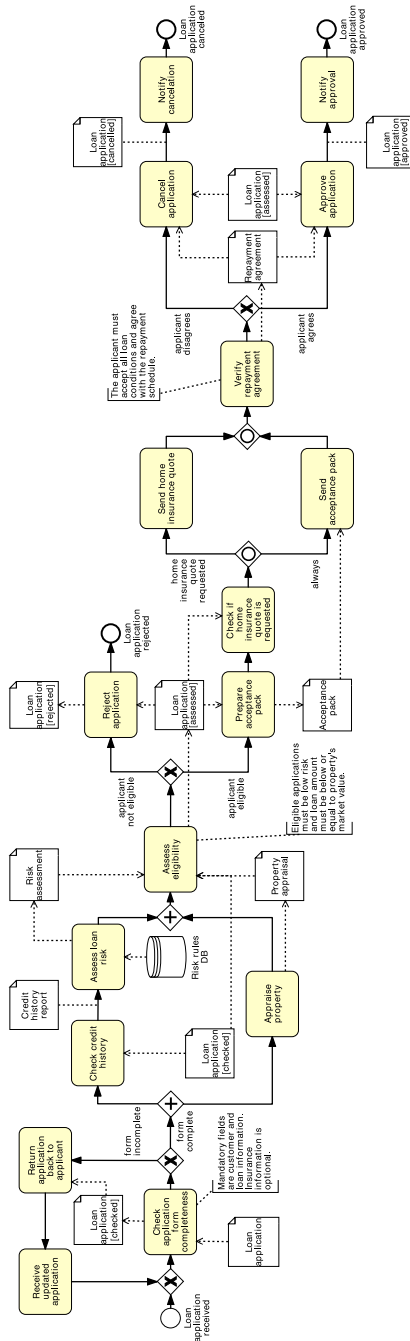
Solution 3.3



Solution 3.4

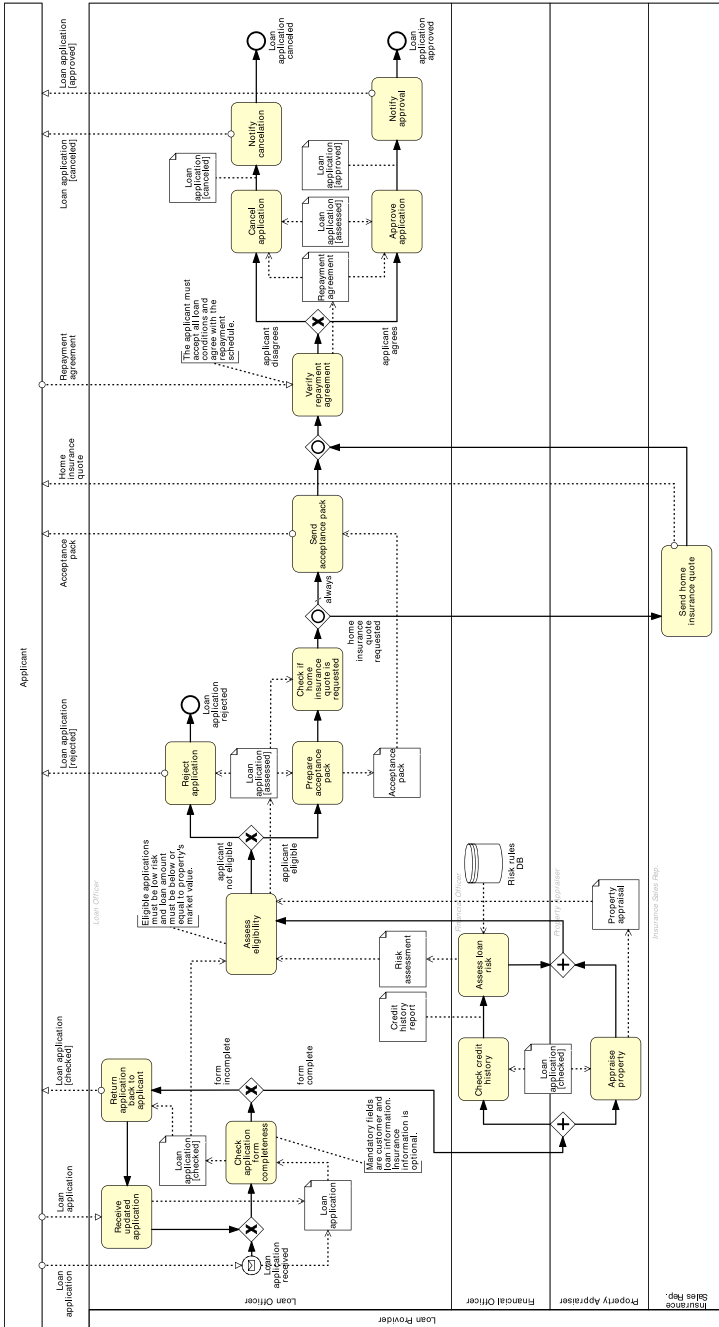


Solution 3.5



Solution 3.6 See the Loan Provider pool in the model of Solution 3.7.

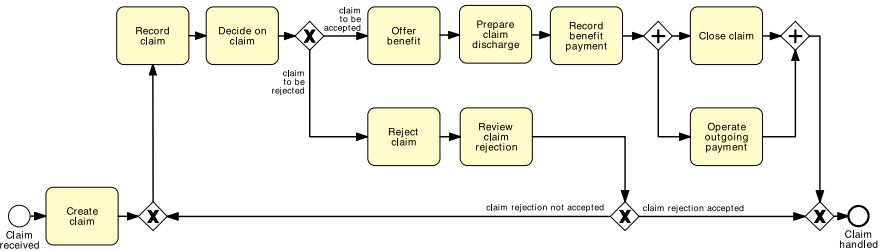
Solution 3.7



3.7 Further Exercises

Exercise 3.8 What types of splits and joins can we model in a process? Make an example for each of them using the security check at an airport as a scenario.

Exercise 3.9 Describe the following process model.



Exercise 3.10 Model the following business process for handling downpayments.

The process for handling downpayments starts when a request for payment has been approved. It involves entering the downpayment request into the system, the automatic subsequent payment, emission of the direct invoice and the clearance of the vendor line items. The clearing of the vendor line items can result in a debit or credit balance. In case of debit balance, the arrears are processed, otherwise the remaining balance is paid.

Exercise 3.11 Model the following business process for assessing credit risks.

When a new credit request is received, the risk is assessed. If the risk is above a threshold, an advanced risk assessment needs to be carried out, *otherwise* a simple risk assessment will suffice. Once the assessment has been completed, the customer is notified with the result of the assessment and *meantime* the disbursement is organized. For simplicity, assume that the result of an assessment is always positive.

Exercise 3.12 Model the following fragment of a business process for insurance claims.

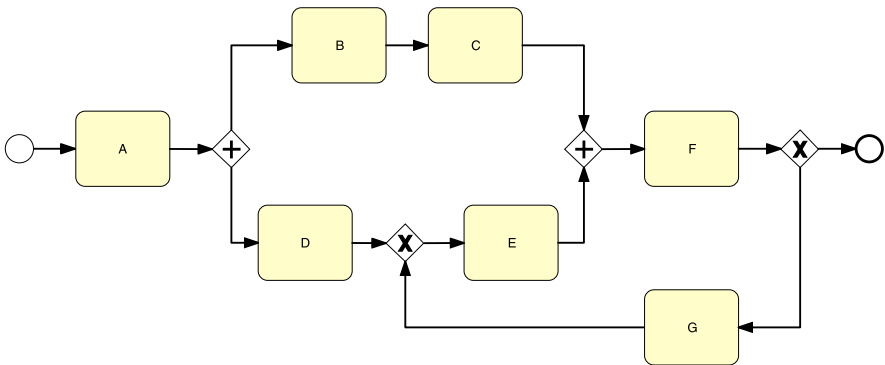
After a claim is registered, it is examined by a claims officer who then writes a settlement recommendation. This recommendation is then checked by a senior claims officer who may mark the claim as “OK” or “Not OK”. If the claim is marked as “Not OK”, it is sent back to the claims officer and the recommendation is repeated. If the claim is “OK”, the claim handling process proceeds.

Exercise 3.13 Model the control flow of the following business process for damage compensation.

If a tenant is evicted because of damages to the premises, a process needs to be started by the tribunal in order to hold a hearing to assess the amount of compensation the tenant owes the owner of the premises. This process starts when a cashier of the tribunal receives a request for compensation from the owner. The cashier then retrieves the file for those particular premises and checks that both the request is acceptable for filing, and compliant with the

description of the premises on file. Setting a hearing date incurs fees to the owner. It may be that the owner has already paid the fees with the request, in which case the cashier allocates a hearing date and the process completes. It may be that additional fees are required, but the owner has already paid also those fees. In this case the cashier generates a receipt for the additional fees and proceeds with allocating the hearing date. Finally, if the owner has not paid the required fees, the cashier produces a fees notice and waits for the owner to pay the fees before reassessing the document compliance.

Exercise 3.14 Can the process model below execute correctly? If not, how can it be fixed without affecting the cycle, i.e. such that “F”, “G”, and “E” all remain in the cycle?



Exercise 3.15 Write a BPMN model for the process described in Exercise 1.1. Make sure to include artifacts and annotations where appropriate.

Exercise 3.16 Extend the model of Exercise 3.13 by adding the artifacts that are manipulated.

Exercise 3.17 Extend the model of Exercise 3.16 by adding the involved resources. Is there any non-human resource?

Exercise 3.18 Model the following business process. Use gateways and data objects where needed.

In a court each morning the files that have yet to be processed are checked to make sure they are in order for the court hearing that day. If some files are missing a search is initiated, otherwise the files can be physically tracked to the intended location. Once all the files are ready, these are handed to the Associate; meantime the judge’s lawlist is distributed to the relevant people. Afterwards, the directions hearings are conducted.

Exercise 3.19 Model the following business process. Use pools/lanes where needed.

The motor claim handling process starts when a customer submits a claim with the relevant documentation. The notification department at the car insurer checks the documents upon

completeness and registers the claim. Next, the Handling department picks up the claim and checks the insurance. Then, an assessment is performed. If the assessment is positive, a Garage is phoned to authorize the repairs and the payment is scheduled (in this order). Otherwise, the claim is rejected. In any case (whether the outcome is positive or negative), a letter is sent to the customer and the process is considered to be complete.

Exercise 3.20 Model the following business process. Use pools/lanes where needed.

When a claim is received, a claims officer first checks if the claimant is insured. If not, the claimant is informed that the claim must be rejected by sending an automatic notification via an SAP system. Otherwise, a senior claims officer evaluates the severity of the claim. Based on the outcome (simple or complex claims), the relevant forms are sent to the claimant, again using the SAP system. Once the forms are returned, they are checked for completeness by the claims officer. If the forms provide all relevant details, the claim is registered in the claims management system, and the process ends. Otherwise, the claimant is informed to update the forms via the SAP system. Upon reception of the updated forms, they are checked again by the claims officer to see if the details have been provided, and so on.

3.8 Further Reading

In this chapter we presented the basics of process modeling through the BPMN language. Other mainstream languages that can be used to model business processes are UML Activity Diagrams (UML ADs), Event-driven Process Chains (EPCs) and Web Services Business Process Execution Language (WS-BPEL). UML ADs are another OMG standard [60]. They are mainly employed in software engineering where they can be used to describe software behavior and linked to other UML diagram types, e.g. class diagrams, to generate software code. UML ADs offer a subset of the modeling elements present in BPMN. For example, constructs like the OR-join are not supported. A good overview of this language and its application to business process modeling is provided in [16].

EPCs were initially developed for the design of the SAP R/3 reference process model [9]. They obtained a widespread adoption by various organizations when they became the core modeling language of the ARIS toolset [12, 82]. Later, they were used by other vendors for the design of SAP-independent reference models such as ITIL and SCOR. The EPC language includes modeling elements corresponding to BPMN activities, AND, XOR and OR gateways, untyped events and data objects. An introduction to EPCs is provided in [50].

WS-BPEL (BPEL for short) version 2.0 [3] is a standard of the Organization for the Advancement of Structured Information Standards (OASIS). A good overview of BPEL is provided in [65]. BPEL is a language for process execution which relies on Web service technology to achieve inter-process communication. A mapping from BPMN to BPEL constructs is available in the BPMN specification [61]. However, this mapping is not complete since BPEL offers a restricted set of constructs compared to BPMN, and is essentially a *block-oriented* language, while BPMN is *graph-oriented*. BPEL is structured in blocks which need to be properly nested and

cannot overlap. A block is made up of a single entry node and a single exit node which matches the type of the entry node and collects all the outgoing branches from the entry node. For example, if the entry node is an AND-split, the exit node must be an AND-join. Moreover, BPEL does not feature a standard notation, since this was deemed to be out of scope by OASIS, though various vendors provide proprietary notations for this language. While BPMN 1.2 aimed to be the conceptual counterpart of BPEL, and mappings were thus available to move from the former to the latter language, BPMN 2.0 can also be used to specify executable processes (see Chap. 9). Thus BPMN 2.0 aims to replace BPEL in this respect.

Other process modeling languages originate from research efforts. Two of them are Workflow nets and Yet Another Workflow Language (YAWL). Workflow nets are an extension of Petri nets to model business processes. Their syntax is purposefully simple and revolves around two elements: places and transitions. The former roughly correspond to BPMN events, while the latter to BPMN activities. A good presentation of Workflow nets is provided in [95].

YAWL is a successor of Workflow nets in that it adds specific constructs to capture the OR-join behavior, multi-instance activities, sub-processes and cancellation regions. YAWL retains the simplicity and intuitiveness of Workflow nets, though it provides a much more expressive language. YAWL and its supporting environment are presented in detail in [92].

A comparison of the above languages in terms of their expressiveness along the control-flow, data and resource perspectives can be found in the Workflow Patterns Initiative website [108]. Over time this initiative has collected a repository of workflow patterns, i.e. recurring process behavior as it has been observed from a thorough analysis of various process modeling languages and supporting tools. Various languages and tools have been compared based on their support for such patterns.

Chapter 4

Advanced Process Modeling

The sciences do not try to explain, they hardly even try to interpret, they mainly make models.
John von Neumann (1903–1957)

In this chapter we will learn how to model complex business processes with BPMN. The constructs presented in this chapter build on top of the knowledge acquired in Chap. 3. In particular, we will expand on activities, events and gateways. We will learn how to use activities to model sub-processes and how to reuse these sub-processes across different processes. We will also extend activities to model more sophisticated forms of rework and repetition. As per events, we will expand on message events, present temporal events and show how race conditions can be modeled among these event types via a new type of gateway. We will also learn how to use events to handle business process exceptions. Finally, we will show how a collaboration diagram can be abstracted into a choreography diagram that only focuses on the interactions between the involved business parties.

4.1 Process Decomposition

When capturing complex business processes, the resulting process model may be too large to be understood at once. Take the order fulfillment process model in Fig. 3.12. While the scenario at hand is still relatively simple, this model already contains 14 activities, six gateways and two events. As we add data objects and message flows, the model gets larger and so harder to understand (see e.g. Fig. 3.16). To improve its readability, we can simplify the process by hiding certain parts within a *sub-process*. A sub-process represents a self-contained, composite activity that can be broken down into smaller units of work. Conversely, an atomic activity, also called *task*, is an activity capturing a unit of work that cannot be further broken down.

In order to use a sub-process, we first need to identify groups of related activities, i.e. those activities which together achieve a particular goal or generate a particular outcome in the process model under analysis. In our order fulfillment example, we can see that the activities “Check raw materials availability” and “Purchase raw

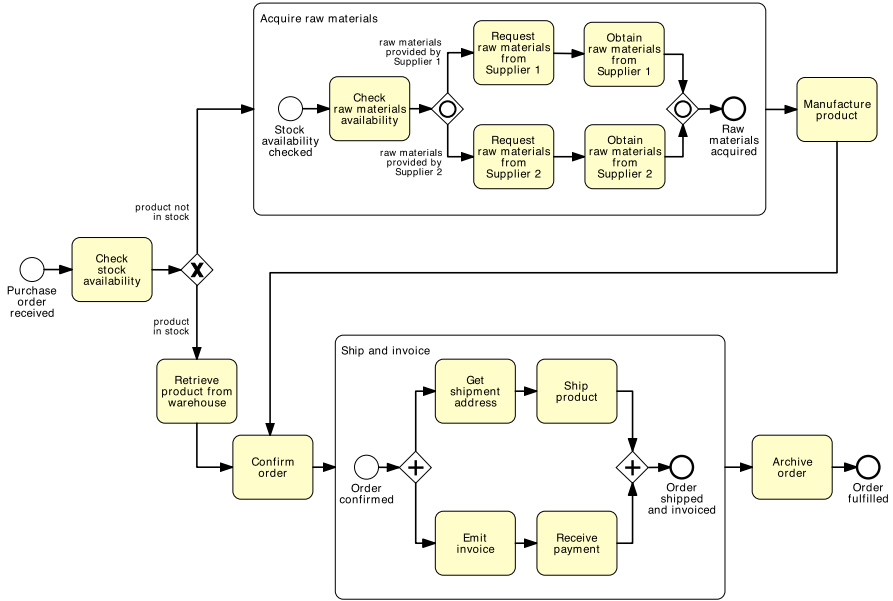


Fig. 4.1 Identifying sub-processes in the order fulfillment process of Fig. 3.12

materials from Supplier 1(2)”, lead together to the acquisition of raw materials. Thus these activities, and their connecting gateways, can be encapsulated in a sub-process. In other words, they can be seen as the internal steps of a macro-activity called “Acquire raw materials”. Similarly, the two parallel branches for shipping and invoicing the order can be grouped under another sub-process activity called “Ship and invoice”. Figure 4.1 illustrates the resulting model, where the above activities have been enclosed in two sub-process activities. We represent such activities with a large rounded box which encloses the internal steps. As we can observe from Fig. 4.1, we also added a start event and an end event inside each sub-process activity, to explicitly indicate when the sub-process starts and completes.

Recall that our initial objective was to simplify a process model. Once we have identified the boundaries of the sub-processes, we can simplify the model by hiding the content of its sub-processes, as shown in Fig. 4.2. This is done by replacing the macro-activity representing the sub-process with a standard-size activity. We indicate that this activity hides a sub-process by marking it with a small square with a plus sign (+) inside (like if we could expand the content of that activity by pressing the plus button). This operation is called collapsing a sub-process. By collapsing a sub-process we reduce the total number of activities (the order fulfillment process has only six activities now), thus improving the model readability. In BPMN, a sub-process which hides its internal steps is called *collapsed sub-process*, as opposed to an *expanded sub-process* which shows its internal steps (as in Fig. 4.1).

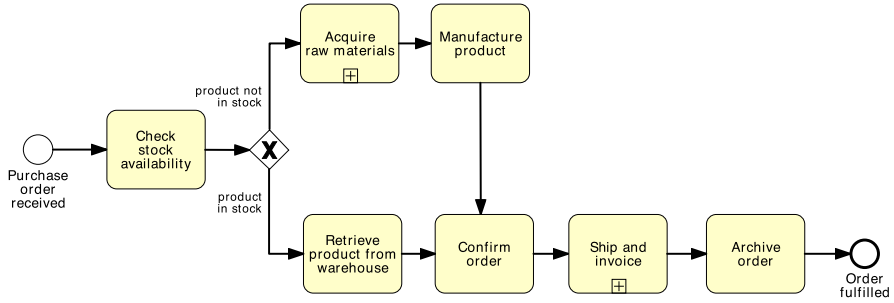


Fig. 4.2 A simplified version of the order fulfillment process after hiding the content of its sub-processes

Exercise 4.1 Identify suitable sub-processes in the process for assessing loan applications modeled in Exercise 3.5.

Hint Use the building blocks that you created throughout Exercises 3.1–3.4.

Collapsing a sub-process does not imply losing its content. The sub-process is still there, just defined at an abstraction level below. In fact, we can nest sub-processes in multiple levels, so as to decompose a process model hierarchically. An example is shown in Fig. 4.3, which models a business process for disbursing home loans. In the first level we identified two sub-processes: one for checking the applicant’s liability, the other for signing the loan. In the second level, we factored out the scheduling of the loan disbursement within the process for signing loans into a separate sub-process.

As we go down the hierarchical decomposition of a process model, we can add more details. For example, we may establish a convention that at the top level we only model core business activities, at the second level we add decision points, and so on all the way down to modeling exceptions and details that are only relevant for process automation.

Question When should we decompose a process model into sub-processes?

We should use sub-processes whenever a model becomes too large that is hard to understand. While it is hard to precisely define when a process model is “too large”, since understandability is subjective, it has been shown that using more than approximately 30 flow objects (i.e. activities, events, gateways) leads to an increased probability of making mistakes in a process model (e.g. introducing behavioral issues). Thus, we suggest to use as few elements as possible per each process model level, and in particular to decompose a process model if this has more than 30 flow objects.

Reducing the size of a process model, for example by collapsing its sub-processes, is one of the most effective ways of improving a process model’s readability. Other structural aspects that affect the readability include the density of the

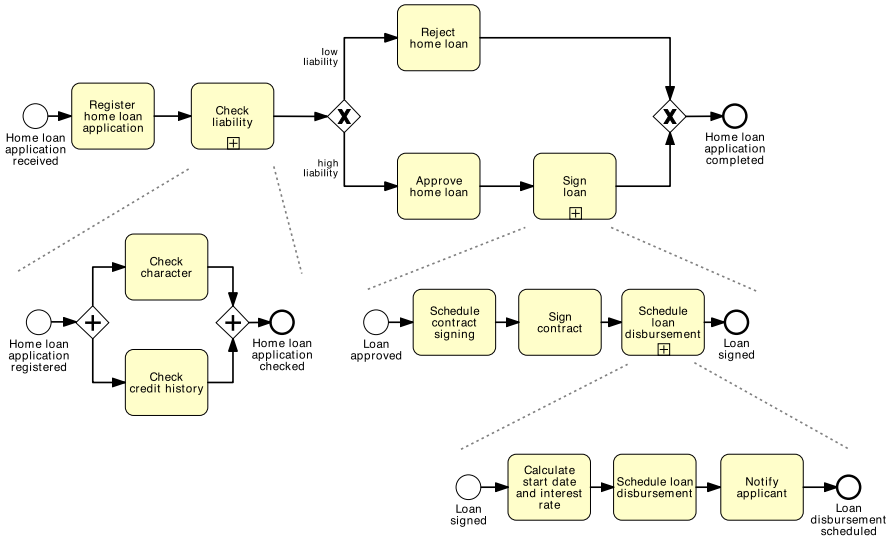


Fig. 4.3 A process model for disbursing home loans, laid down over three hierarchical levels via the use of sub-processes

process model connections, the number of parallel branches, the longest path from a start to an end event, as well as cosmetic aspects such as the layout, the labels style (e.g. always use a verb-noun style), the colors palette, the lines thickness, etc. More information on establishing process modeling guidelines can be found in Chap. 5.

We have shown that we can simplify a process model by first identifying the content of a sub-process, and then hiding this content by collapsing the sub-process activity. Sometimes, we may wish to proceed in the opposite direction, meaning that when modeling a process we already identify activities that can be broken down in smaller steps, but we intentionally under-specify their content. In other words, we do not link the sub-process activity to a process model at a lower level capturing its content (like if by pressing the plus button nothing would happen). The reason for doing this is to tell the reader that some activities are made up of sub-steps, but that disclosing the details of these is not relevant. This could be the case of activity “Ship product” in the order fulfillment example, for which modeling the distinction between its internal steps for packaging and for shipping is not relevant.

4.2 Process Reuse

By default a sub-process is embedded within its parent process model, and as such it can only be invoked from within that process model. Often, when modeling a business process we may need to reuse parts of other process models of the same organization. For example, a loan provider may reuse the sub-process for signing

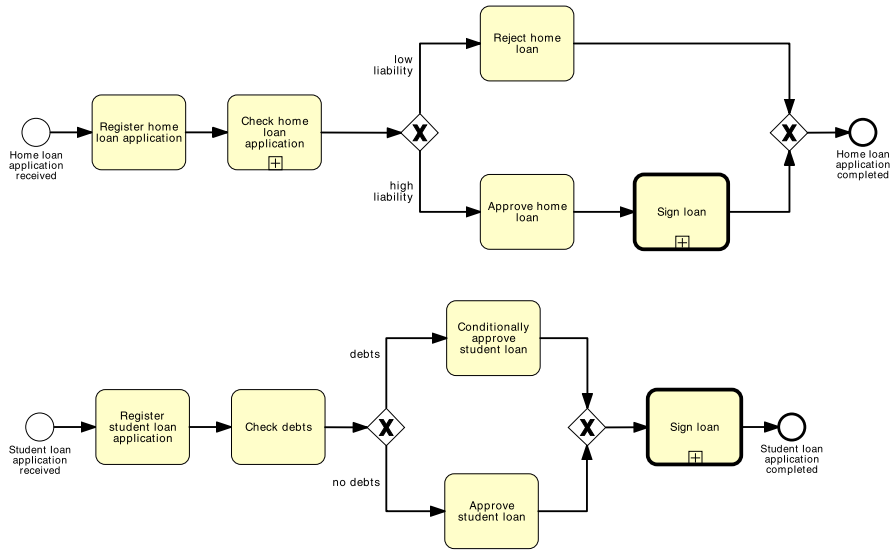


Fig. 4.4 The process model for disbursing student loans invokes the same model for signing loans used by the process for disbursing home loans, via a call activity

loans contained in the home loan disbursement for other types of loan, such as a process for disbursing student loans or motor loans.

In BPMN, we can define the content of a sub-process outside its parent process, by defining the sub-process as a *global* process model. A global process model is a process model that is not embedded within any process model, and as such can be invoked by other process models within the same process model collection. To indicate that the sub-process being invoked is a global process model, we use the collapsed sub-process activity with a thicker border (this activity type is called *call activity* in BPMN). Coming back to the loan disbursement example of Fig. 4.3, we can factor out the sub-process for signing loans and define it as a global process model, so that it can also be invoked by a process model for signing student loans (see Fig. 4.4).

Question Embedded or global sub-process?

Our default choice should be to define sub-processes as global process models so as to maximize their reusability within our process model collection. Supporting processes such as payment, invoicing, HR, printing, are good candidates for being defined as global process models, since they are typically shared by various business processes within an organization. Besides reusability, another advantage of using global process models is that any change made to these models will be automatically propagated to all process models that invoke them. In some cases, however, we may want to keep the changes internal to a specific process. For example, an invoicing process used for corporate orders settlement would typically be different

from the invoicing process for private orders. In this case, we should keep two model variants of the invoice sub-process, each embedded within its parent process model: corporate and private order settlement.

Example 4.1 Let us consider the procurement process of a pharmaceutical company.

A pharmaceutical company has different business units within its manufacturing department, each producing a specific type of medicine. For example, there is a business unit looking after inhaled medications, and another one producing vaccines. The various business units make use of a direct procurement process for ordering chemicals, and of an indirect procurement process for ordering spare parts for their equipment.

The direct procurement process depends on the raw materials that are required to produce a specific type of medicine. For example, vaccines typically include adjuvants that help improve the vaccine's effectiveness, which are not contained in inhaled medications. Similarly, inhaled medications contain a chemical propellant to push the medicine out of the inhaler, which is not required for vaccines. Since this procurement process is specific to each business unit, we need to model it as an embedded sub-process within the manufacturing process model of each unit. On the other hand, the process for ordering spare parts to the equipment for synthesizing chemicals can be shared across all units, since all units make use of the same equipment. Thus, we will model this process with a global process model.

Before concluding our discussion on sub-processes, we need to point to some syntactical rules for using this element. A sub-process is a regular process model. It should start with at least one start event, and complete with at least one end event. If there are multiple start events, the sub-process will be triggered by the first such an event that occurs. If there are multiple end events, the sub-process will return control to its parent process only when each token flowing in this model reaches an end event. Moreover, we cannot cross the boundary of a sub-process with a sequence flow. To pass control to a sub-process, or receive control from a sub-process, we should always use start and end events. On the other hand, message flows can cross the boundaries of a sub-process to indicate messages that emanate from, or are directed to, internal activities or events of the sub-process.

Exercise 4.2 Identify suitable sub-processes in the business process of Exercise 1.7. Among these sub-processes, identify those that are specific to this business process versus those that can potentially be shared with other business processes of the same company.

4.3 More on Rework and Repetition

In the previous chapter we described how to model rework and repetition via the XOR gateways. Expanded sub-processes offer an alternative way to model parts of a process that can be repeated. Let us consider again the process for addressing

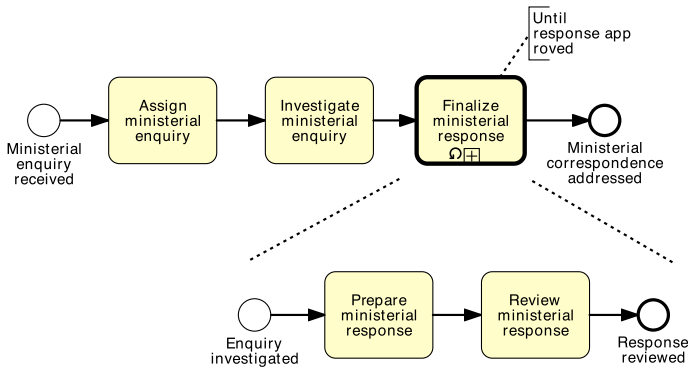


Fig. 4.5 The process model for addressing ministerial correspondence of Fig. 3.13 simplified using a loop activity

ministerial correspondence of Example 3.7. To make this model simpler, we can take the fragment identified by the XOR-join and the XOR-split (which includes the repetition block and the loopback branch) and replace it with a sub-process containing the activities in the repetition block. To identify that this sub-process may be repeated (if the response is not approved), we mark the sub-process activity with a loop symbol, as shown in Fig. 4.5. We can use an annotation to specify the loop condition, e.g. “until response approved”.

As for any sub-process, you may decide not to specify the content of a loop sub-process. However, if you do so, do not forget to put a decision activity as the last activity inside the sub-process, otherwise there is no way to determine when to repeat the sub-process.

Question Loop activity or cycle?

The loop activity is a shorthand notation for a structured cycle, i.e. a repetition block delimited by a single entry point to the cycle, and a single exit point from the cycle, like in the example above. Sometimes there might be more than one entry and/or exit point, or the entry/exit point might be inside the repetition block. Consider for example the model in Fig. 4.6. Here the repetition block is made up of activities “Assess application”, “Notify rejection” and “Receive customer feedback”; the cycle has an entry point and two exit points, of which one inside the repetition block. When an unstructured cycle has multiple exit points, like in this case, a loop activity cannot be used, unless additional conditions are used to specify the situations in which the cycle can be exited, which will render the model more complex.

Exercise 4.3

1. Identify the entry and exit points that delimit the unstructured cycles in the process models shown in Solution 3.4 and in Exercise 3.9. What are the repetition blocks?

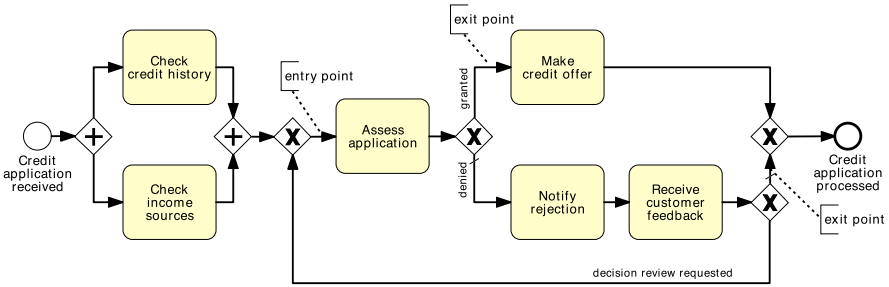


Fig. 4.6 An example of unstructured cycle

2. Model the business process of Solution 3.4 using a loop activity.

4.3.1 Parallel Repetition

The loop activity allows us to capture sequential repetition, meaning that instances of the loop activity are executed one after the other. Sometimes, though, we may need to execute multiple instances of the same activity at the same time, like in the following example.

Example 4.2 In a procurement process, a quote is to be obtained from all preferred suppliers. After all quotes are received, they are evaluated and the best quote is selected. A corresponding purchase order is then placed.

Let us assume five preferred suppliers exist. Then we can use an AND-split to model five tasks in parallel, each to obtain a quote from one supplier, as shown in Fig. 4.7. However, there are several problems with this solution. First, the larger the number of suppliers, the larger the resulting model will be, since we need to use one task per supplier. Second, we need to revise the model every time the number of suppliers changes. In fact, it is often the case in reality that an updated list of suppliers is kept in an organizational database which is queried before contacting the suppliers.

To obviate these problems, BPMN provides a construct called *multi-instance* activity. A multi-instance activity indicates an activity (being it a task or a sub-process) that is executed multiple times concurrently. Such a construct is useful when the same activity needs to be executed for multiple entities or data items, like for example to request quotes from multiple suppliers (as in our example), to check the availability of each line item in an order separately, to send and gather questionnaires for multiple witnesses in the context of an insurance claim, etc.

A multi-instance activity is depicted as an activity marked with three small vertical lines at the bottom. Figure 4.8 shows a revised version of the procurement process model in Fig. 4.7. Not only is this model smaller, but it can also work with a dynamic list of suppliers, which may change on an instance-by-instance basis.

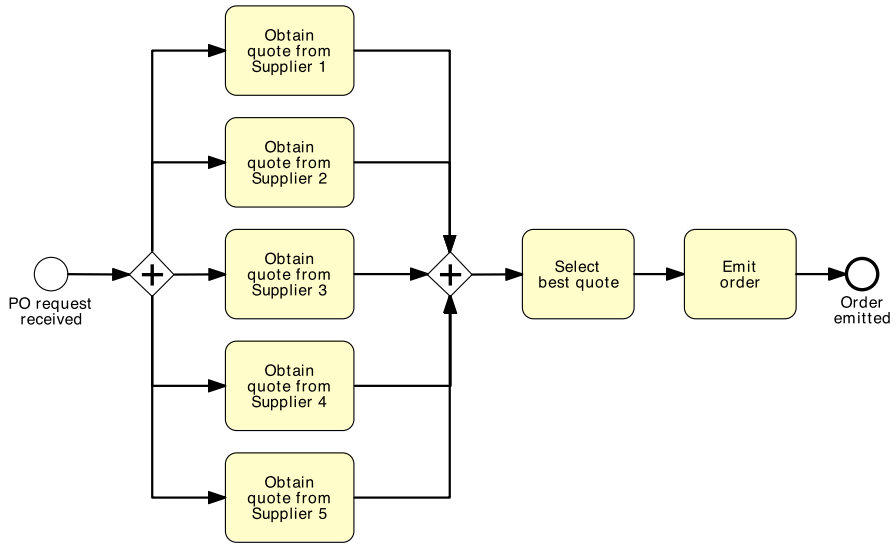


Fig. 4.7 Obtaining quotes from five suppliers

To do so, we added a task to retrieve the list of suppliers, and passed this list to a multi-instance task, which contacts the various suppliers. You would have noticed that in this example we have also marked the data object Suppliers list with the multi-instance symbol. This is used to indicate a *collection* of similar data objects, like a list of order items, or a list of customers. When a collection is used as input to a multi-instance activity, the number of items in the collection determines the number of activity instances to be created. Alternatively, we can specify the number of instances to be created via an annotation on the multi-instance activity (e.g. “15 suppliers”, or “as per suppliers database”).

Let us come back to our example. Assume the list of suppliers has become quite large over time, say there are 20 suppliers in the database. As per our organizational policies, however, five quotes from five different suppliers are enough to make a decision. Thus, we do not want to wait for all 20 suppliers to reply back to our request for quote. To do so, we can annotate the multi-instance activity with the minimum number of instances that need to complete before passing control to the outgoing arc (e.g. “complete when five quotes obtained”, as shown in Fig. 4.8). When the multi-instance activity is triggered, 20 tokens are generated, each marking the progress of one of the 20 instances. Then, as soon as the first five instances complete, all the other instances are canceled (the respective tokens are destroyed) and one token is sent to the output arc to signal completion.

Let us take the order fulfillment example in Fig. 4.2, and expand the content of the sub-process for acquiring raw materials. To make this model more realistic, we can use a multi-instance sub-process in place of the structure delimited by the two OR gateways, assuming that the list of suppliers to be contacted will be determined

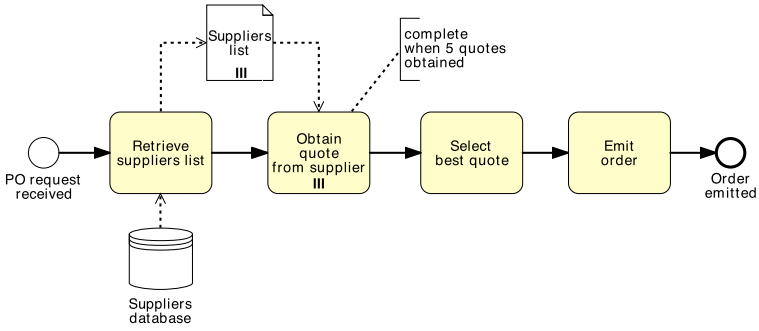


Fig. 4.8 Obtaining quotes from multiple suppliers, whose number is not known a priori

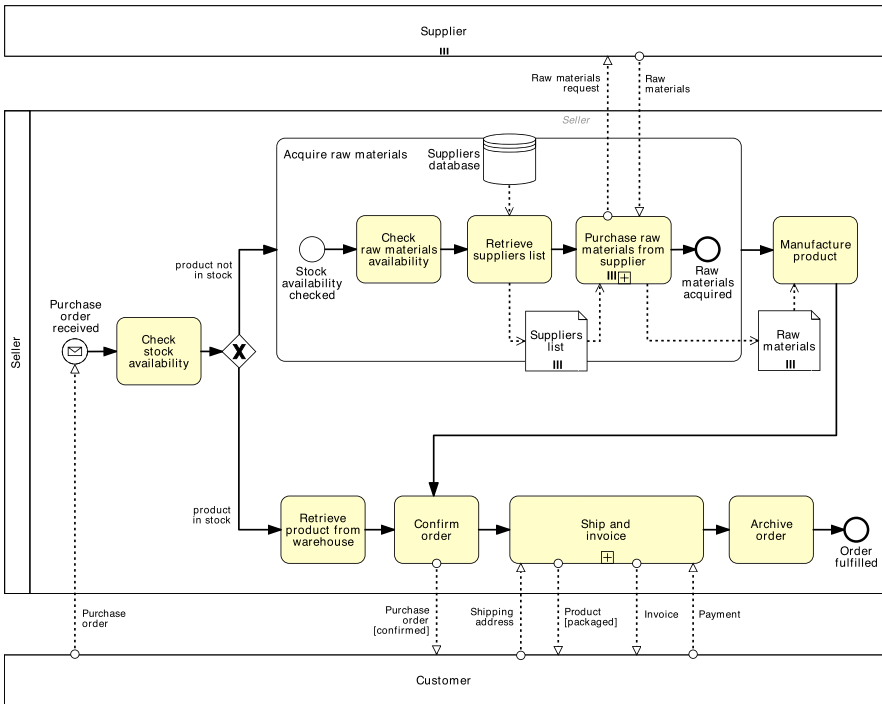


Fig. 4.9 Using a multi-instance pool to represent multiple suppliers

on the fly from a suppliers database (the updated model is shown in Fig. 4.9). By the same principle, we replace the two pools “Supplier 1” and “Supplier 2” with a single pool, namely “Supplier”, which we also mark with the multi-instance symbol—a multi-instance pool represents a set of resource classes, or resources, having similar characteristics.

From this figure we note that there are four message flows connected to the sub-process “Ship and invoice”, as a result of collapsing the content of this activity. The order in which these messages are exchanged is determined by the activities inside this sub-process that receive and send them. In other words, when it comes to a collapsed sub-process activity, the message semantics for tasks described in Sect. 3.4 is not enforced.

Exercise 4.4 Model the following process fragment.

After a car accident, a statement is sought from two witnesses out of the five that were present, in order to lodge the insurance claim. As soon as the first two statements are received, the claim can be lodged with the insurance company without waiting for the other statements.

4.3.2 *Uncontrolled Repetition*

Sometimes we may need to model that one or more activities can be repeated a number of times, without a specific order, until a condition is met. For example, let us assume that the customer of our order fulfillment process needs to inquire about the progress of their order. The customer may do so simply by sending an e-mail to the seller. This may be done any time after the customer has submitted the purchase order and as often as the customer desires. Similarly, the customer may attempt to cancel the order or update their personal details before the order has been fulfilled. These activities are *uncontrolled*, in the sense that they may be repeated multiple times with no specific order, or not occur at all, until a condition is met—in our case the order being fulfilled.

To model a set of uncontrolled activities, we can use an *ad-hoc sub-process*. Figure 4.10 shows the example of the customer’s process, where the completion condition (“until order is fulfilled”) has been specified via an annotation. The ad-hoc sub-process is marked with a tilde symbol at the bottom of the sub-process box.

A partial order may be established among the activities of an ad-hoc sub-process via the sequence flow. However, we cannot represent start and end events in an ad-hoc sub-process.

Exercise 4.5 Model the following process snippet.

A typical army recruitment process starts by shortlisting all candidates’ applications. Those shortlisted are then called to sit the following tests: drug and alcohol, eye, color vision, hearing, blood, urine, weight, fingerprinting and doctor examination. The color vision can only be done after the eye test, while the doctor examination can only be done after color vision, hearing, blood, urine and weight have been tested. Moreover, it may be required for some candidates to repeat some of these tests multiple times in order to get a correct assessment, e.g. the blood test may need to be repeated if the candidate has taken too much sugar in the previous 24 hours. The candidates that pass all tests are asked to sit a mental exam and a physical exam, followed by an interview. Only those that also pass these two exams and perform well in the interview can be recruited in the army.

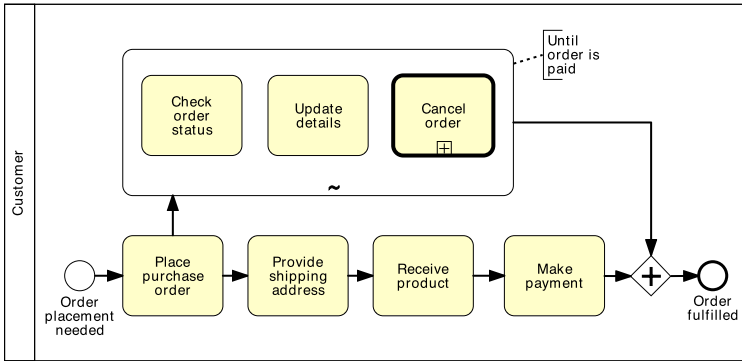


Fig. 4.10 Using an ad-hoc sub-process to model uncontrolled repetition

4.4 Handling Events

As we pointed out in Chap. 3, events are used to model something that happens instantaneously in a process. We saw start events, which signal how process instances start (tokens are created), and end events, which signal when process instances complete (tokens are destroyed). When an event occurs during a process, for example an order confirmation is received after sending an order out to the customer and before proceeding with the shipment, the event is called *intermediate*. A token remains trapped in the incoming sequence flow of an intermediate event until the event occurs. Then the token traverses the event instantaneously, i.e. events cannot retain tokens. An intermediate event is represented as a circle with a double border.

4.4.1 Message Events

In the previous chapter, we showed that we can mark a start event with an empty envelope to specify that new process instances are triggered by the receipt of a message (cf. Fig. 3.16). Besides the start message event, we can also mark an end event and an intermediate event with an envelope to capture the interaction between our process and another party. These types of event are collectively called *message events*. An end message event signals that a process concludes upon sending a message. An intermediate message event signals the receipt of a message, or that a message has just been sent, during the execution of the process. Intermediate and end message events represent an alternative notation to those activities that are solely used to send or receive a message. Take for example activities “Return application to applicant” and “Receive updated applications” in Fig. 4.11a, which is an extract of the loan assessment model of Solution 3.7. It is more meaningful to replace the former activity with an intermediate send message event and the latter activity with an intermediate receive message event, as illustrated in Fig. 4.11b, since these activities

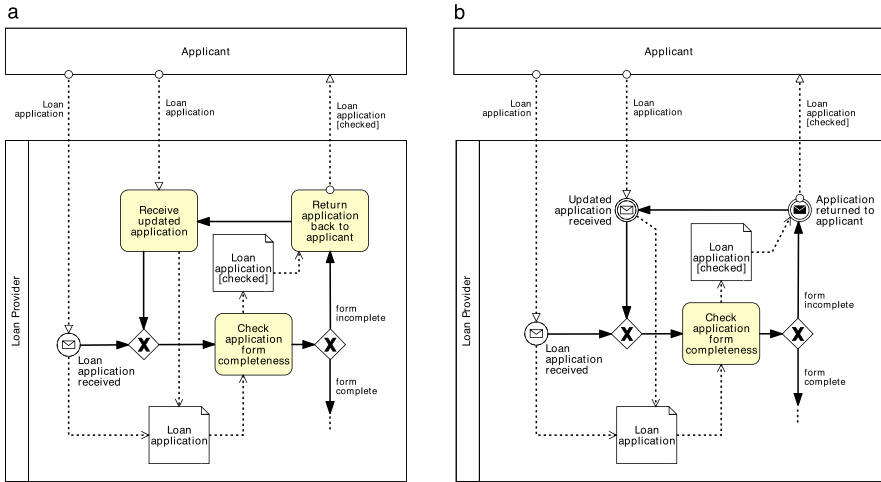


Fig. 4.11 Replacing activities that only send or receive messages (a) with message events (b)

do not really represent units of work, but rather the mechanical sending or receiving of a message. An intermediate message event that receives a message is depicted as a start message event but with a double border. If the intermediate event signals a message being sent, the envelope is darkened.

Further, if the send activity is immediately followed by an untyped end event, we can replace this with an end message event, since again, this activity is merely used to send a message after which the process concludes. An end message event is depicted as an end event marked with a darkened envelope. Beware that a start message event is not an alternative notation for an untyped start event followed by a receive activity: these two constructs are not interchangeable. In the former case, process instances start upon the receipt of a specific message; in the latter case, process instances may start at any time, after which the first activity requires a message to be performed.

Question Typed or untyped event?

We suggest to specify the type of an event whenever this is known, since it will help the reader better understand the process model.

Exercise 4.6 Is there any other activity in the loan assessment model of Solution 3.7 that can be replaced by a message event?

In BPMN, events come in two flavors based on the filling of their marker. A marker with no fill, like that on the start message event, denotes a *catching event*, i.e. an event that catches a trigger, typically originating from outside the process. A marker with a dark fill like that on the end message event denotes a *throwing*

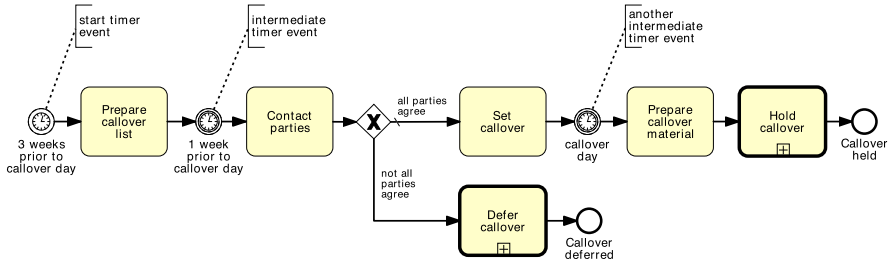


Fig. 4.12 Using timer events to drive the various activities of a business process

event, i.e. an event that throws a trigger from within the process. An intermediate message event has both flavors since it can be used both as a catching event (the message is received from another pool) or as a throwing event (the message is sent to another pool).

4.4.2 Temporal Events

Besides the message event, there are other triggers that can be specified for a start event. One worth of notice is the *timer event*. This event type indicates that process instances start upon the occurrence of a specific temporal event, e.g. every Friday morning, every working day of the month, every morning at 7am.

A timer event may also be used as intermediate event, to model a temporal interval that needs to elapse before the process instance can proceed. To indicate a timer event, we mark the event symbol with a light watch inside the circle. Timer events are catching events only since a timer is a trigger outside the control of the process. In other words, the process does not generate the timer, but rather reacts to this.

Example 4.3 Let us consider the following process at a small claims tribunal.

In a small claims tribunal, callovers occur once a month, to set down the matter for the upcoming trials. The process for setting up a callover starts three weeks prior to the callover day, with the preparation of the callover list containing information such as contact details of the involved parties and estimated hearing date. One week prior to the callover, the involved parties are contacted to determine if they are all ready to go to trial. If this is the case, the callover is set, otherwise it is deferred to the next available slot. Finally, on the callover day, the callover material is prepared and the callover is held.

This process is driven by three temporal events: it starts three weeks prior to the callover date, continues one week prior to the callover date, and concludes on the day of the callover. To model these temporal events we need one start and two intermediate timer events, as shown in Fig. 4.12. Let us see how this process works from a token semantics point of view. A token capturing a new instance is generated every time it is three weeks prior to the callover date (we assume this date has been scheduled by another process). Once the first activity

“Prepare callover list” has been completed, the token is sent through the incoming arc of the following intermediate timer event, namely “1 week prior to callover day”. The event thus becomes *enabled*. The token remains trapped in the incoming arc of this event until the temporal event itself occurs, i.e. only when it is one week prior to the callover day. Once this is the case, the token instantaneously traverses the event symbol and moves to the outgoing arc. This is why events are said to be *instantaneous*, since they cannot retain tokens as opposed to activities, which retain tokens for the duration of their execution (recall that activities consume time).

Exercise 4.7 Model the billing process of an Internet Service Provider (ISP).

The ISP sends an invoice by email to the customer on the first working day of each month (Day 1). On Day 7, the customer has the full outstanding amount automatically debited from their bank account. If an automatic transaction fails for any reason, the customer is notified on Day 8. On Day 9, the transaction that failed on Day 7 is re-attempted. If it fails again, on Day 10 a late fee is charged to the customer’s bank account. At this stage, the automatic payment is no longer attempted. On Day 14, the Internet service is suspended until payment is received. If on Day 30 the payment is still outstanding, the account is closed and a disconnection fee is applied. A debt-recovery procedure is then started.

4.4.3 Racing Events

A typical scenario encountered when modeling processes with events is the one where two external events *race* against one another. The first of the two events that occurs determines the continuation of the process. For example, after an insurance quote has been sent to a client, the client may reply either with an acceptance message, in which case an insurance contract will be made, or with a rejection, in which case the quote will be discarded.

This race between external events is captured by means of the *event-based exclusive (XOR) split*. An event-based exclusive split is represented by a gateway marked by an empty pentagon enclosed in a double-line circle. Figure 4.13 features an event-based exclusive split. When the execution of the process arrives at this point (in other words—when a token arrives at this gateway), the execution stops until either the message event or the timer event occurs. Whichever event occurs first will determine which way the execution will proceed. If the timer event occurs first, a shipment status inquiry will be initiated and the execution flow will come back to the event-based exclusive gateway. If the message signaling the freight delivery is received first, the execution flow will proceed along the sequence flow that leads to the AND-join.

The difference between the XOR-split that we saw in Chap. 3 and the event-based XOR-split is that the former models an internal choice that is determined by the outcome of a decision activity, whereas the latter models a choice that is determined

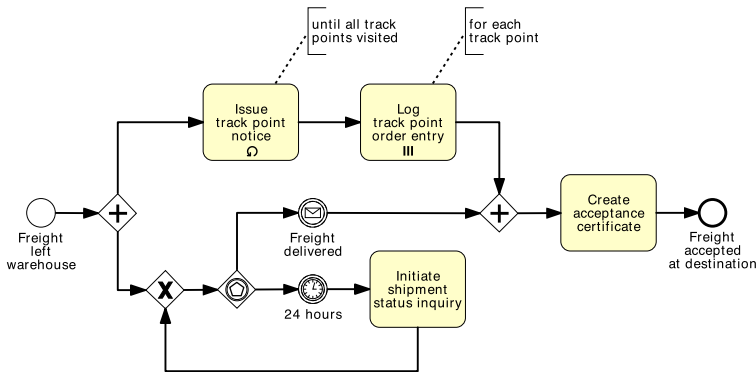


Fig. 4.13 A race condition between an incoming message and a timer

by the process environment.¹ An internal choice is determined by the outcome of a decision activity. Thus, the event-based XOR-split can only be followed by intermediate catching events like a timer or a message event, or by receiving activities. Since the choice is delayed until an event happens, the event-based split is also known as *deferred choice*. There is no event-based XOR-join, so the branches emanating from an event-based split are merged with a normal XOR-join.

Exercise 4.8 Model the following process.

A restaurant chain submits a purchase order (PO) to replenish its warehouses every Thursday. The restaurant chain's procurement system expects to receive either a "PO Response" or an error message. However, it may also happen that no response is received at all due to system errors or due to delays in handling the PO on the supplier's side. If no response is received by Friday afternoon or if an error message is received, a purchasing officer at the restaurant chain's headquarters should be notified. Otherwise, the PO Response is processed normally.

The event-based split can be used as the counterpart of an internal decision on a collaborating party. For example, a choice made from within the Client pool to send either an acceptance message or a rejection message to an Insurer, needs to be matched by an event-driven decision on the insurer pool to *react* to the choice made by the client. This example is illustrated in Fig. 4.14.

Event-based gateways can be used to avoid behavioral anomalies in the communication between pools. Take for example the collaboration diagram between the auctioning service and the seller in Fig. 4.15. This collaboration may deadlock if the seller is already registered, as this party will wait for the account creation request message which in that case will never arrive. To fix this issue, we need to allow the seller to receive the creation confirmation message straightaway in case the seller is already registered, as shown in Fig. 4.16.

¹Specifically, the XOR-split of Chap. 3 is called *data-based XOR-split* since the branch to take is based on the evaluation of two or more conditions on data that are produced by a decision activity.

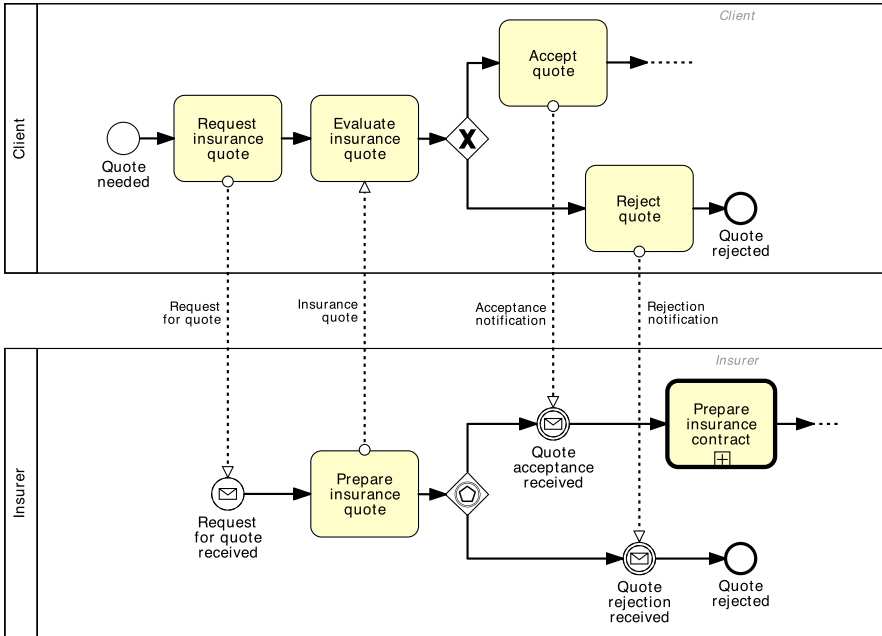


Fig. 4.14 Matching an internal choice in one party with an event-based choice in the other party

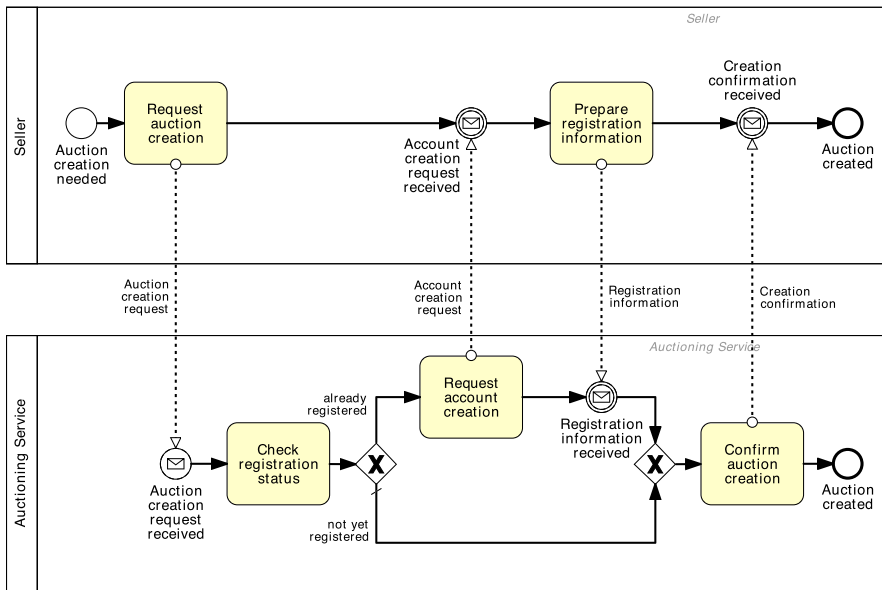


Fig. 4.15 An example of deadlocking collaboration between two pools

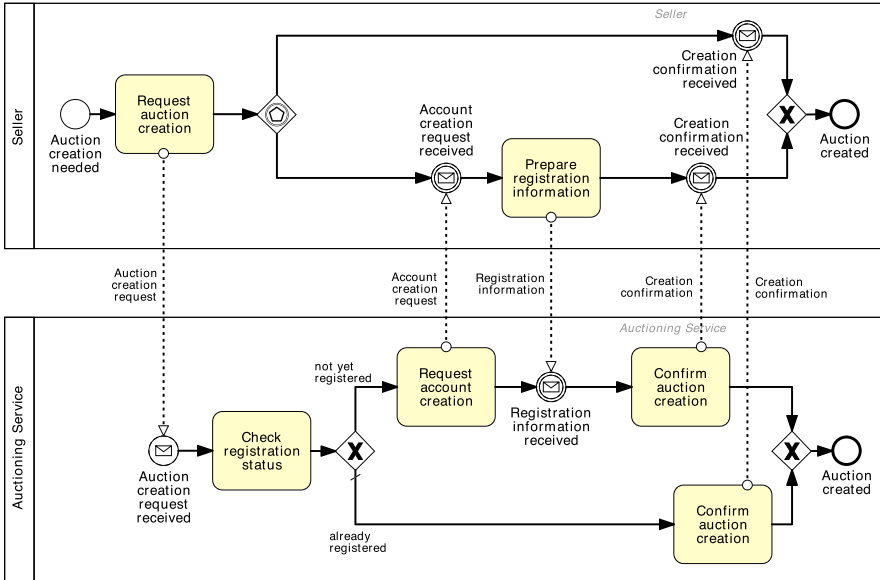


Fig. 4.16 Using an event-based gateway to fix the deadlocking collaboration of Fig. 4.15

When connecting pools with each other via message flows, make sure you check the order of these connections so as to avoid deadlocks. Recall, in particular, that an internal decision in one party needs to be matched by an event-based decision in the other party, and that an activity with an outgoing message flow will send that message upon activity completion, whereas an activity with an incoming message flow will wait for that message to start.

Exercise 4.9 Fix the collaboration diagram in Fig. 4.17.

Acknowledgement This exercise is partly inspired by: *Niels Lohmann: “Correcting Deadlocking Service Choreographies Using a Simulation-Based Graph Edit Distance”*. LNCS 5240, Springer, 2008.

4.5 Handling Exceptions

Exceptions are events that deviate a process from its normal course, i.e. from what is commonly known as the “sunny-day” scenario. These “rainy-day” situations happen frequently in reality, and as such they should be modeled when the objective is to identify all possible causes of problems in a given process. Exceptions include *business faults* like an exception due to an out-of-stock or discontinued product, and *technology faults* like a database crash, a network outage or a program logic violation. They deviate the normal process course since they cause the interruption

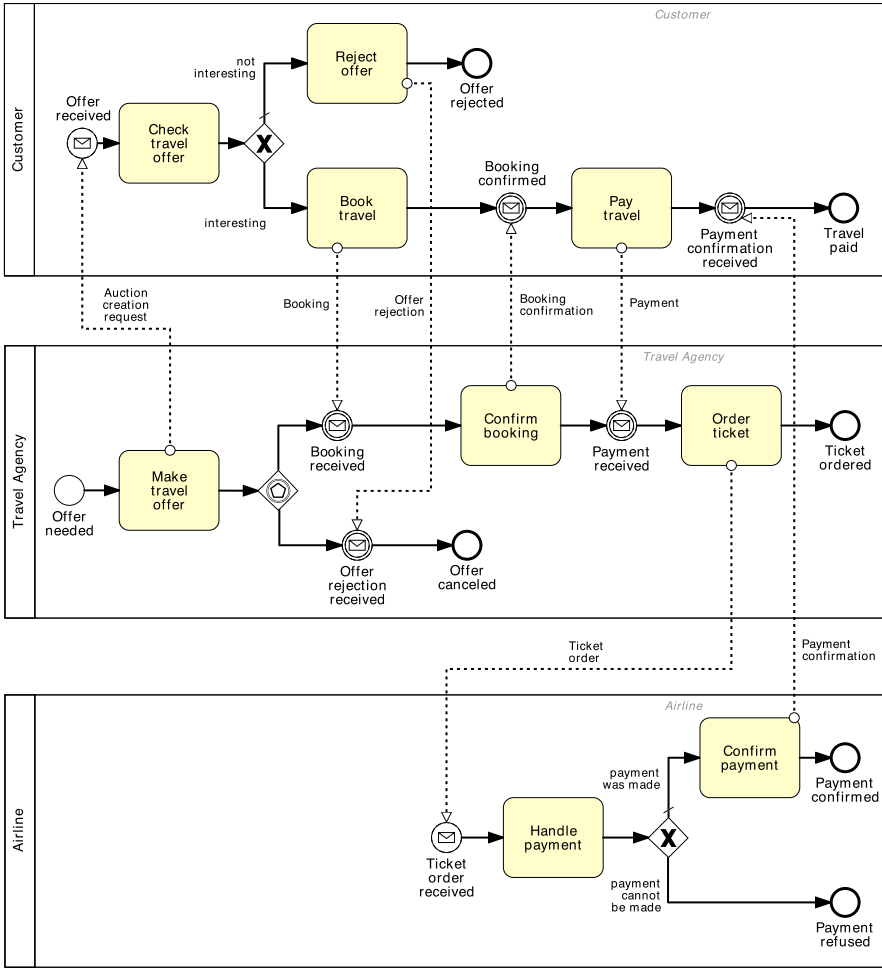


Fig. 4.17 A collaboration diagram between a client, a travel agency and an airline

or abortion of the running process. For example, in case of an out-of-stock product, an order-to-cash process may need to be interrupted to order the product from a supplier, or aborted altogether if the product cannot be supplied within a given timeframe.

4.5.1 Process Abortion

The simplest way of handling an exception is to abort the running process and signal an improper process termination. This can be done by using an *end terminate event*, as shown in Fig. 4.18. An end terminate event (depicted as an end event marked

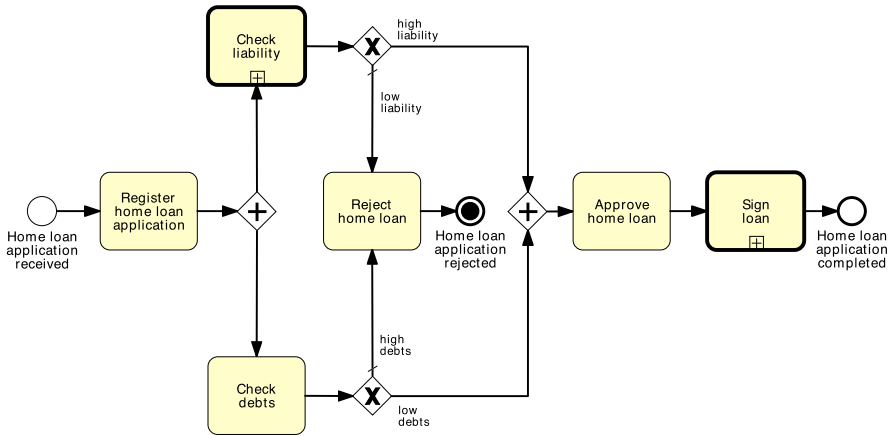


Fig. 4.18 Using a terminate event to signal improper process termination

with a full circle inside), causes the immediate cessation of the process instance at its current level and for any sub-process.

In the example of Fig. 4.18—a variant of the home loan that we already saw in Fig. 4.3—a home loan is rejected and the process is aborted if the applicant has debts and/or low liability. From a token semantics, the terminate event destroys all tokens in the process model and in any sub-process. In our example, this is needed to avoid the process to deadlock at the AND-join, since a token may remain trapped before the AND-join if there is high liability and debts or low liability and no debts.

Observe that if a terminate event is triggered from within a sub-process, it will not cause the abortion of the parent process but only that of the sub-process, i.e. the terminate event is only propagated downwards in a process hierarchy.

Exercise 4.10 Revise the examples presented so far in this chapter, by using the terminate event appropriately.

4.5.2 Internal Exceptions

Instead of aborting the whole process, we can handle an exception by interrupting the specific activity that has caused the exception. Next, we can start a recovery procedure to bring the process back to a consistent state and continue its execution, and if this is not possible, only then, abort the process altogether. BPMN provides the *error event* to capture these types of scenario. An end error event is used to interrupt the enclosing sub-process and throw an exception. This exception is then caught by an intermediate catching error event which is attached to the boundary of the same sub-process. In turn, this *boundary event* triggers the recovery procedure through an outgoing branch which is called *exception flow*.

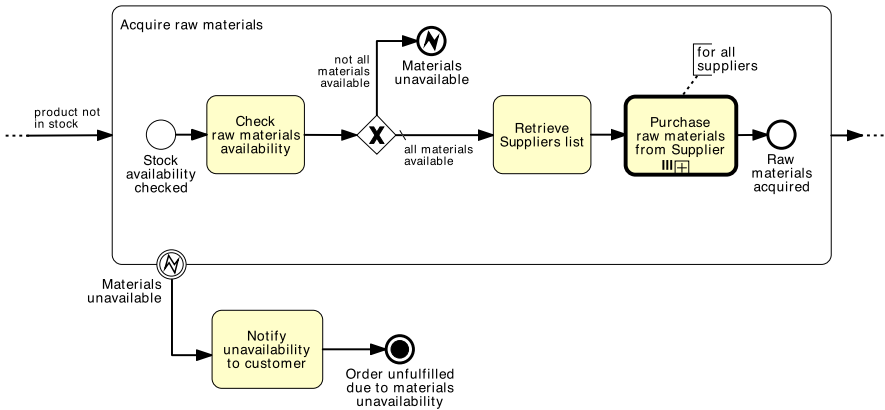


Fig. 4.19 Error events model internal exceptions

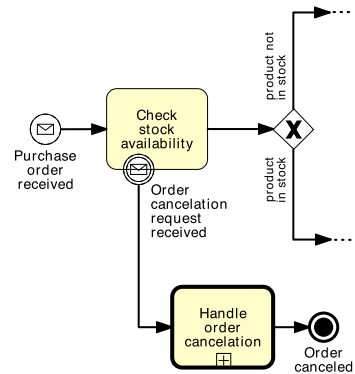
The error event is depicted as an event with a lightning marker. Following the BPMN conventions for throwing and catching events, the lightning is empty for the catching intermediate event and full for the end throwing event.

An example of error events is shown in Fig. 4.19 in the context of our order fulfillment process. If there is an out of stock exception, the acquisition of raw materials is interrupted and the recovery procedure is triggered, which in this case simply consists of a task to notify the customer before aborting the process. In terms of token semantics, upon throwing an end error event, all tokens are removed from the enclosing sub-process (causing its interruption), and one token is sent through the exception flow emanating from the boundary error event. There is no restriction on the modeling elements we can put in the exception flow to model the recovery procedure. Typically, we would complete the exception flow with an end terminate event to abort the process, or wire this flow back to the normal sequence flow if the exception has been properly handled.

4.5.3 External Exceptions

An exception may also be caused by an external event occurring during an activity. For example, while checking the stock availability for the product in a purchase order, the Seller may receive an order cancellation from the customer. Upon this request, the Seller should interrupt the stock availability check and handle the order cancellation. Scenarios like the above are called *unsolicited exceptions* since they originate externally to the process. They can be captured by attaching a catching intermediate message event to an activity’s boundary, as shown in Fig. 4.20. From a token semantics, when the intermediate message event is triggered, the token is removed from the enclosing activity, consequently causing the activity interruption, and sent through the exception flow emanating from the boundary event, to perform the recovery procedure.

Fig. 4.20 Boundary events catch external events that can occur during an activity



Before using a boundary event we need to identify the *scope* within which the process should be receptive of this event. For example, in the order fulfillment example, order cancellation requests can only be handled during the execution of task “Check stock availability”. Thus, the scope for being receptive to this event is made up by this single task. Sometimes the scope should include multiple activities. In these cases, we can encapsulate the interested activities into a sub-process and attach the event to the sub-process’s boundary.

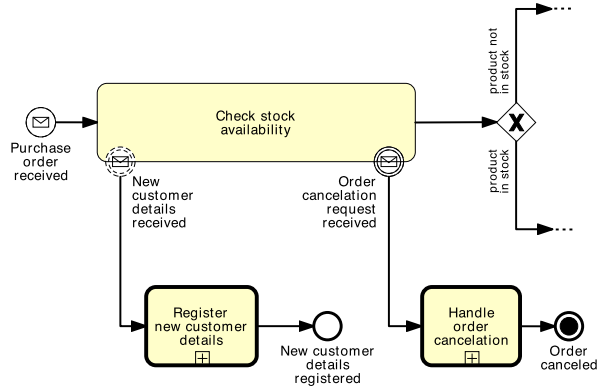
Exercise 4.11 Model the following routine for logging into an Internet bank account.

The routine for logging into an Internet bank account starts once the credentials entered from the user have been retrieved. First, the username is validated. If the username is not valid, the routine is interrupted and the invalid username is logged. If the username is valid, the number of password trials is set to zero. Then the password is validated. If this is not valid, the counter for the number of trials is incremented and if lower than three, the user is asked to enter the password again, this time together with a CAPTCHA test to increase the security level. If the number of failed attempts reaches three times, the routine is interrupted and the account is frozen. Moreover, the username and password validation may be interrupted should the validation server not be available. Similarly, the server to test the CAPTCHA may not be available at the time of log in. In these cases, the procedure is interrupted after notifying the user to try again later. At any time during the log in routine, the customer may close the web-page, resulting in the interruption of the routine.

4.5.4 Activity Timeouts

Another type of exception is that provoked by the interruption of an activity which is taking too long to complete. To model that an activity must be completed within a given timeframe (e.g. an approval must be completed within 24 hours), we can attach an intermediate timer event to the boundary of the activity: the timer is activated when the enclosing activity starts, and if it fires before the activity completes, provokes the activity’s interruption. In other words, a timer event works as a timeout when attached to an activity’s boundary.

Fig. 4.21 Non-interrupting boundary events catch external events that occur during an activity, and trigger a parallel procedure without interrupting the enclosing activity



Exercise 4.12 Model the following process fragment.

Once a wholesale order has been confirmed, the supplier transmits this order to the carrier for the preparation of the transportation quote. In order to prepare the quote, the carrier needs to compute the route plan (including all track points that need to be traversed during the travel) and estimate the trailer usage (e.g. whether it is a full track-load, half track-load or a single package). By contract, wholesale orders have to be dispatched within four days from the receipt of the order. This implies that transportation quotes have to be prepared within 48 hours from the receipt of the order to remain within the terms of the contract.

4.5.5 Non-interrupting Events and Complex Exceptions

There are situations where an external event occurring during an activity should just trigger a procedure without interrupting the activity itself. For example, in the order fulfillment process, the customer may send a request to update their details during the stock availability check. The details should be updated in the customer database without interrupting the stock check. In order to denote that the boundary event is *non-interrupting*, we use a dashed double border, as shown in Fig. 4.21.

Exercise 4.13 Extend the process for assessing loan applications of Solution 3.7 as follows.

An applicant who has decided not to combine their loan with a home insurance plan may change their mind any time before the eligibility assessment has been completed. If a request for adding an insurance plan is received during this period, the loan provider will simply update the loan application with this request.

Non-interrupting events can be used to model more complex exception handling scenarios. Consider again the example in Fig. 4.19 and assume that the customer sends a request to cancel the order during the acquisition of raw materials. We catch this request with a non-interrupting boundary message event, and first determine

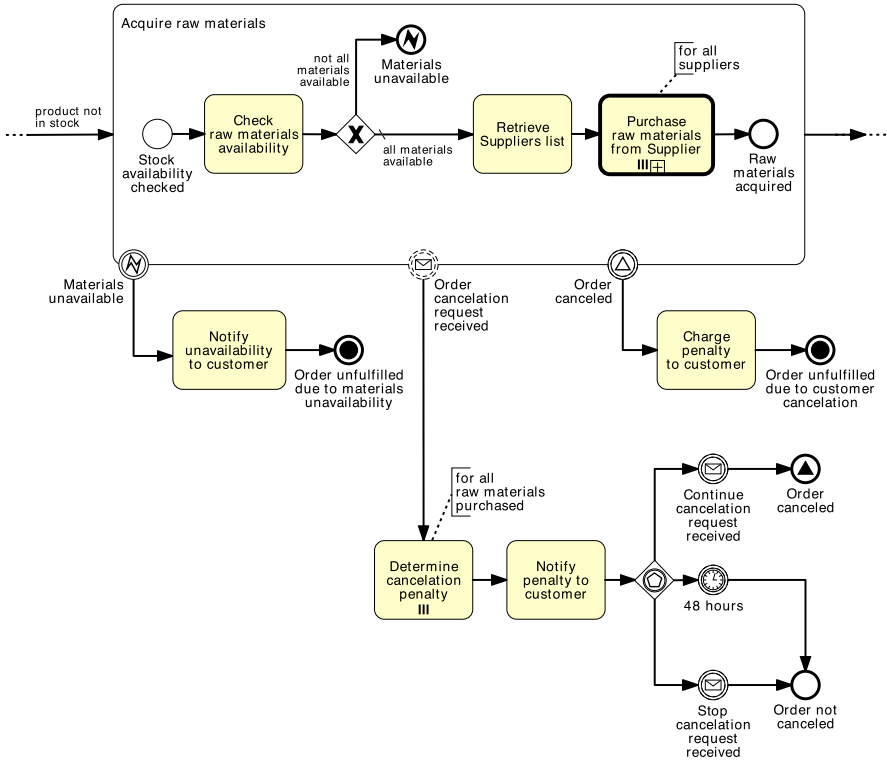


Fig. 4.22 Non-interrupting events can be used in combination with signal events to model complex exception handling scenarios

the penalty that the customer will need to incur based on the raw materials that have already been ordered. We forward this information to the customer who then may decide within 48 hours to either stop the cancellation, in which case nothing is done, or go on with it (see Fig. 4.22). In the latter case, we throw an end *signal event*. This event, depicted with a triangle marker, broadcasts a signal defined by the event’s label, which can be caught by all catching signal events bearing the same label. In our case, we throw an “Order canceled” signal and catch this with a matching intermediate signal event on the boundary of the sub-process for acquiring raw materials. This event causes the enclosing sub-process to be interrupted and then triggers a recovery procedure to charge the customer, after which the process is aborted. We observe that in this scenario the activity interruption is triggered from within the process, but outside the activity itself.

Observe that the signal event is different from the message event, since it has a source but no specific target, whilst a message has both a specific source and a specific target. Like messages, signals may also originate from a process modeled in a separate diagram.

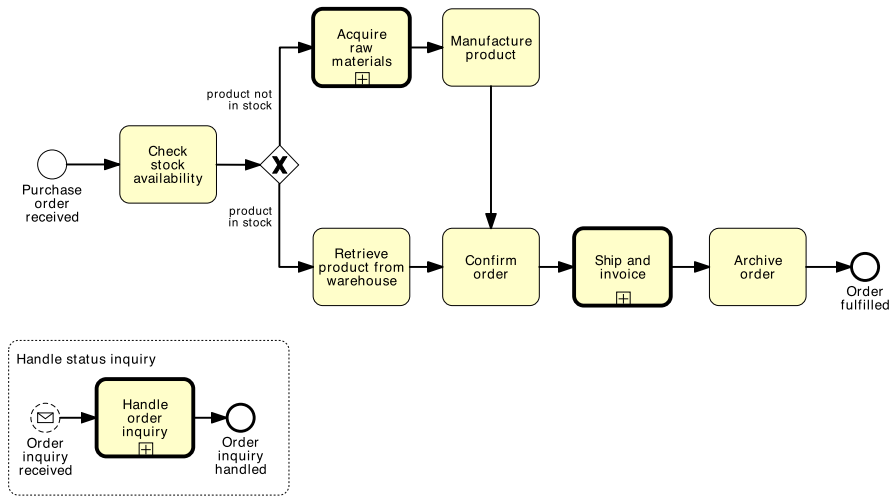


Fig. 4.23 Event sub-processes can be used in place of boundary events, and to catch events thrown from outside the scope of a particular sub-process

4.5.6 Interlude: Event Sub-processes

An alternative notation to boundary events is the *event sub-process*. An event sub-process is started by the event which would otherwise be attached to the boundary of an activity, and encloses the procedure that would be triggered by the boundary event. An important difference with boundary events is that event sub-processes do not need to refer to a specific activity, but can model events that occur during the execution of the whole process. For example, any time during the order fulfillment process the customer may send an inquiry about the order status. To handle this request, which is not specific to a particular activity of this process, we can use an event sub-process as shown in Fig. 4.23.

The event sub-process is depicted within a dotted rectangle with rounded corners which is placed into an expanded sub-process or into the top-level process. Similar to boundary events, an event sub-process may or may not interrupt the enclosing process depending on whether its start event is interrupting or not. If its start event is non-interrupting, this is depicted with a dashed (single) border.

All syntactical rules for a sub-process apply to the event sub-process, except for boundary events, which cannot be defined on event sub-processes. For example, the event sub-process can also be represented as a collapsed sub-process. In this case, the start event is depicted on the top-left corner of the collapsed event sub-process rectangle to indicate how this event sub-process is triggered.

Question Event sub-processes or boundary events?

Event sub-processes are self-contained, meaning that they must conclude with an end event. This has the disadvantage that the procedure captured inside an event

sub-process cannot be wired back to the rest of the sequence flow. The advantage is that an event sub-process can also be defined as a global process model, and thus be reused in other process models of the same organization. Another advantage is that event sub-processes can be defined at the level of an entire process whereas boundary events must refer to a specific activity. Thus, we suggest to use event sub-processes when the event that needs to be handled may occur during the entire process, or when we need to capture a reusable procedure. For all other cases, boundary events are more appropriate since the procedure triggered by these events can be wired back to the rest of the flow.

Exercise 4.14 Model the following business process for reimbursing expenses.

After an Expense report is received from an employee, the employee is notified of the receipt of the report. Next, a new account must be created if the employee does not already have one. The report is then reviewed for automatic approval. Amounts under €1,000 are automatically approved while amounts equal to or over €1,000 require manual approval. In case of rejection, the employee must receive a Rejection notice by email. In case of approval, the reimbursement is deposited directly to the employee's bank account. At any time during the review, the employee can send a Request for amount rectification. In that case the rectification is registered and the report needs to be reviewed again. Moreover, if the report is not handled within 30 days, the process is stopped and the employee receives a Cancellation notice email so that he can re-submit the expense report from scratch.

4.5.7 Activity Compensation

As part of a recovery procedure, we may need to *undo* one or more steps that have already been completed, due to an exception that occurred in the enclosing sub-process. In fact, the results of these steps, and possibly their side effects, may no longer be desired and for this reason they should be reversed. This operation is called *compensation* and tries to restore the process to a business state close to the one before starting the sub-process that was interrupted.

Let us delve into the sub-process for shipment and invoice handling of the order fulfillment example and assume that also this activity can be interrupted upon the receipt of an order cancellation request (see Fig. 4.24). After communicating the cancellation penalty to the customer, we need to revert the effects of the shipment and of the payment. Specifically, if the shipment has already been made, we need to handle the product return, whereas if the payment has already been made, we need to reimburse the Customer. These compensations can be modeled via a *compensation handler*. A compensation handler is made up of a throwing *compensate event* (an event marked with a rewind symbol), a catching intermediate *compensate event* and a compensation activity. The throwing *compensate event* is used inside the recovery procedure of an exception to start the compensation, and can either be an intermediate or an end event (in the latter case, the recovery procedure concludes with the compensation). The catching intermediate compensation event is attached to those activities that need to be compensated—in our example “Ship product” and “Receive payment”. These boundary events catch the compensation request and trigger

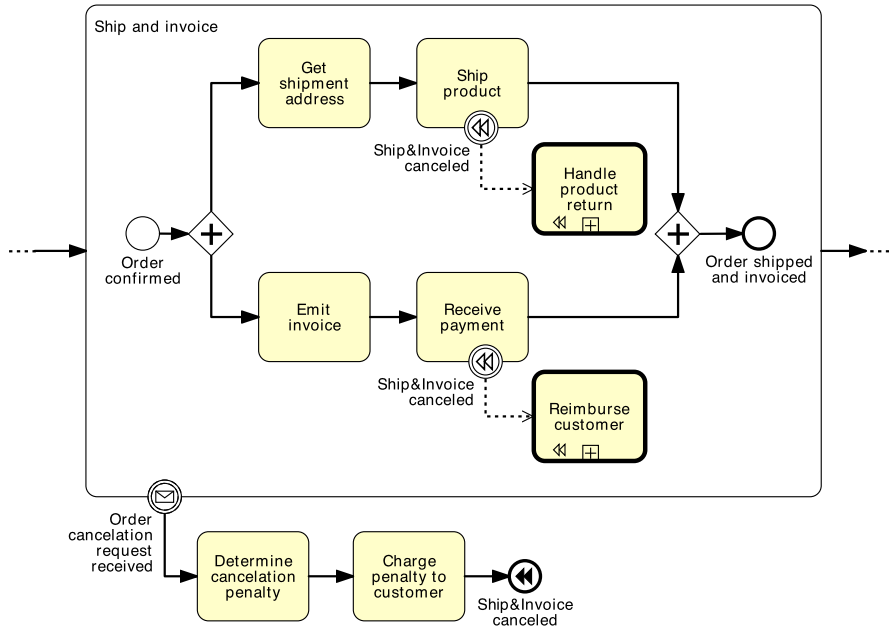


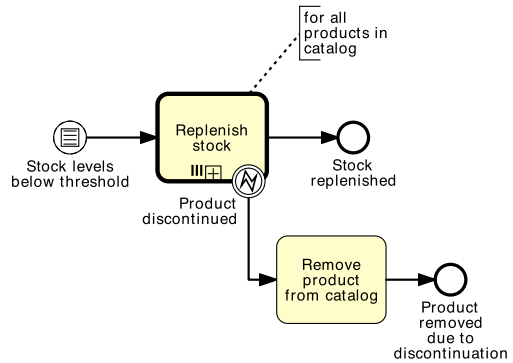
Fig. 4.24 Compensating for the shipment and for the payment

a *compensation activity* specific to the activity to be compensated. For example the compensation activity for “Receive payment” is “Reimburse customer”. The boundary event is connected to the compensation activity via a dotted arrow with an open arrowhead, called *compensation association* (whose notation is the same as that of the data association). This activity is marked with the compensate symbol to indicate its purpose, and must not have any outgoing flow: in case the compensation procedure is complex, this activity can be a sub-process.

Compensation is only effective if the attached activity has completed. Once all activities that could be compensated are compensated, the process resumes from after the throwing compensation event, unless this is an end event. If the compensation is for the entire process, we can use an event sub-process with a start compensate event in place of the boundary event.

In this section we have seen various ways to handle exceptions in business process, from simple process abortion to complex exception handling. Before adding exceptions it is important to understand the sunny-day scenario well. So start by modeling that. Then think of all possible situations that can go wrong. For each of these exceptions, identify what type of exception handling mechanism needs to be used. First, determine the cause of the exception: internal or external. Next, decide if aborting the process is enough, or if a recovery procedure needs to be triggered. Finally, evaluate whether the interrupted activity needs to be compensated as part of the recovery procedure.

Fig. 4.25 A replenishment order is triggered every time the stock levels drop below a threshold



Exercise 4.15 Modify the model that you created in Exercise 4.14 as follows.

If the report is not handled within 30 days, the process is stopped, the employee receives a cancellation notice email and must re-submit the expense report. However, if the reimbursement for the employee's expenses had already been made, a money recall needs to be made, to get the money back from the employee, before sending the cancellation notice email.

4.6 Processes and Business Rules

A business rule implements an organizational policy or practice. For example, in an online shop, platinum customers have a 20 % discount for each purchase above €250. Business rules can appear in different forms in a process model. We have seen them modeled in a decision activity and in the condition of a flow coming out of an (X)OR-split (see Exercise 3.5 for some examples). A third option is to use a dedicated BPMN event called *conditional event*. A conditional event causes the activation of its outgoing flow when the respective business rule is fulfilled. Conditional events, identified by a lined page marker, can be used as start or intermediate catching events, including after an event-based gateway or attached to an activity's boundary. An example of conditional event is shown in Fig. 4.25.

The difference between an intermediate conditional event and a condition on a flow is that the latter is only tested once, and if it is not satisfied the corresponding flow is not taken (another flow or the default flow will be taken instead). The conditional event, on the other hand, is tested until the associated rule is satisfied. In other words, the token remains trapped before the event until the rule is satisfied.

In the example of Fig. 4.25, observe the use of the error event on the boundary of a multi-instance activity. This event only interrupts the activity instance that refers to the particular product being discontinued, i.e. the instance from which the error event is thrown. All other interrupting boundary events, i.e. message, timer, signal and conditional, interrupt all instances of a multi-instance activity.

Exercise 4.16 Model the following business process snippet.

In a stock exchange, stock price variations are continuously monitored during the day. A day starts when the opening bell rings and concludes when the closing bell rings. Between the two bells, every time the stock price changes by more than 10 %, the entity of the change is first determined. Next, if the change is high, a “high stock price” alert is sent, otherwise a “low stock price” alert is sent.

4.7 Process Choreographies

Sometimes it might be hard to frame a business collaboration between two or more parties, e.g. two organizations, by working directly at the level of the collaboration diagram. First, the collaboration diagram is typically too low-level and if the terms of the interactions between the two parties are not clear yet, it might be confusing to mix communication aspects with internal activities. Second, a party may not be willing to expose their internal activities to other parties (e.g. the logic behind a claim approval should remain private). Thus, it might be opportune to first focus on the interactions that have to occur among all involved parties, and on the order in which these interactions can take place. In BPMN, this information is captured by a *choreography diagram*. A choreography diagram is the process model of the interactions occurring between two or more parties. This high-level view on a collaboration acts as a contract among all involved parties. Once this contract has been crafted, each party can take it and refine it into their private processes, or alternatively, all parties can work together to refine the choreography into a collaboration diagram.

Figure 4.26 shows the choreography for the order fulfillment collaboration of Fig. 4.9. As we can see, a choreography is indeed a process model: it is started by one or more start events and concluded by one or more end events, activities are connected via sequence flows and gateways are used for branching and merging. The key characteristic is, however, that an activity represents an *interaction* between two parties, rather than a unit of work. An interaction can be one-way (one message is exchanged) or *two-way* (a message is followed by a return message in the opposite direction). Each interaction has an *initiator* or sender (the party sending the message), and a *recipient* or receiver (the party receiving the message, who may reply with a return message). For example, the first activity of Fig. 4.26, “Submit purchase order” takes place between the Customer, who sends the purchase order, and the Seller, who receives it.

A choreography activity is depicted as a box with rounded corners where two bands, one at the top, the other at the bottom of the box, represent the two parties involved in the interaction captured by the activity. A light band is used for the initiator whilst a darkened band is used for the recipient. The position of each band with respect to the box is left to the modeler, so long as the two bands are on opposite sides. An envelope attached to a band via a dashed line represents the message sent by that party. This envelope is darkened if it is the return message of a two-way interaction.

A precedence relation between two interactions can only be established if the initiator of the second interaction is involved in the preceding interaction (either as

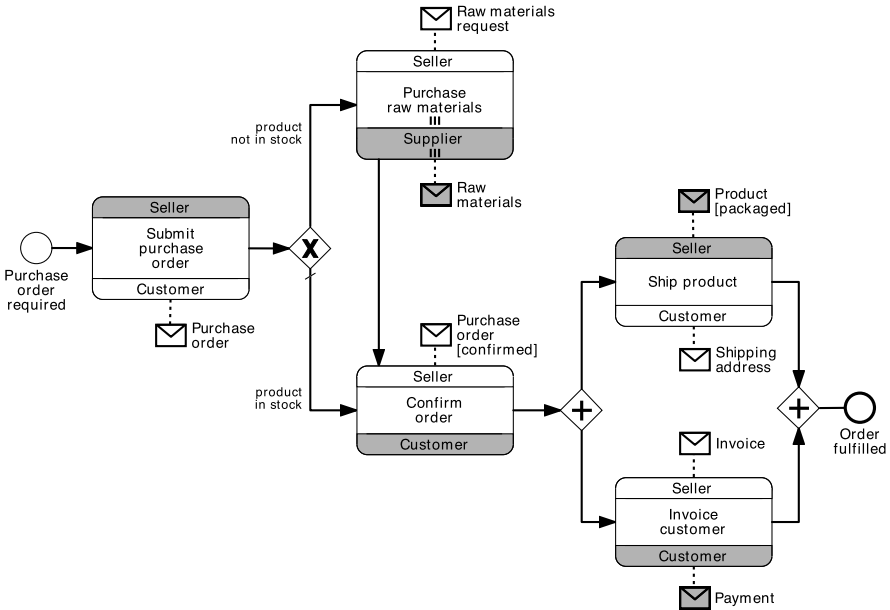


Fig. 4.26 The choreography diagram for the collaboration diagram in Fig. 4.9

a sender or as a receiver), except for the first interaction. In this way the sender of the second interaction ‘knows’ when this can take place. On the other hand, if there are no order dependencies between two or more interactions, we can link these interactions via an AND-split, as shown in Fig. 4.26. Make sure, however, that the sender of each interaction following the split is involved in the interaction preceding the split.

An (X)OR-split models the outcomes of an internal decision that is taken by one party. This imposes that the data upon which the decision is taken are made available to that party via an interaction prior to the split. In our example, the data required by the XOR-split are extrapolated from the purchase order, which is sent to the seller in the interaction just before the split. Furthermore, all interactions immediately following the split must be initiated by the party who took the decision. In our example, these are done by the seller. In fact, it makes no sense that a decision taken by one party results in an interaction initiated by another party—the latter would not be able to know the results of the decision at that stage.

The event-based XOR-split is used when the data to make a choice are not exposed through an interaction before the split. Thus, the parties not involved in the decision will only know about this with the receipt of a message. This imposes that the interactions following an event-based split must either have the same sender or the same receiver. For example, we use an event-based split to model a situation where an applicant waits for a confirmation message that may either arrive from a broker or directly from the insurer (the decision of which party to interact with

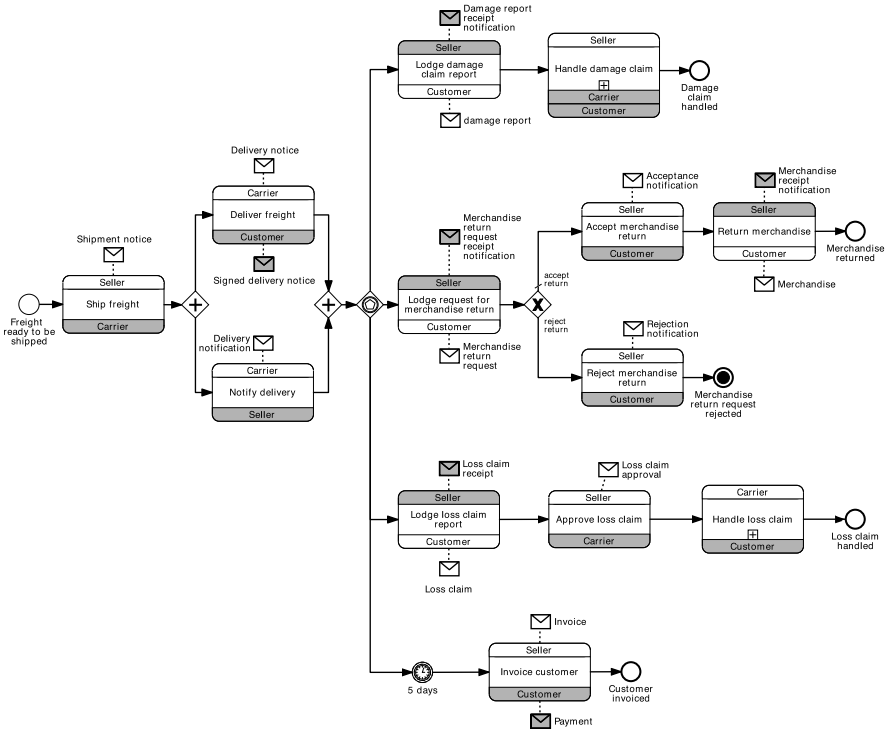


Fig. 4.27 The choreography diagram between a seller, a customer and a carrier

the applicant is taken by the broker together with the insurer). Figure 4.27 shows another example: here a seller waits for one of three possible messages from a customer, representing three different types of complaint. The decision is taken by the customer and the seller is not aware of this until the specific complain is received. The interactions following an event-based split can be constrained by a timer. In this example, if the seller does not receive any message after five days, they will trigger an interaction to invoice the customer. In this case, all parties in the interactions following the split must be involved in the interaction preceding the split in order to be aware of the timer.

Exercise 4.17 The choreography below illustrates the interactions that may occur among a seller, a customer and a carrier after the freight has been delivered by the carrier to the client. Use this diagram as a template to build the corresponding collaboration diagram. Observe the use of the terminate event in this example. In a choreography this event can only be used to denote a negative outcome and not to forcefully terminate the choreography, since the parties not involved in the interaction preceding the terminate event would not know that the terminate event has been reached.

Complex interactions involving more than one business party are modeled via a sub-choreography activity. This activity is represented with the plus symbol (as a sub-process) and may have multiple bands representing all roles involved. For example, the “Handle damage claim” interaction in Fig. 4.27 occurs between the seller, the carrier and the customer. The messages involved in a sub-choreography are only visible when expanding the content of the sub-choreography where also their order becomes apparent.

Artifacts cannot be explicitly expressed in a choreography via data objects or data stores. This is because a choreography does not have a central control mechanism to maintain data.

Exercise 4.18 Model the choreography and collaboration diagrams for the following mortgage application process at BestLoans.

The mortgage application process starts with the receipt of a mortgage application from a client. When an application is sent in by the client to the broker, the broker may either deal with the application themselves, if the amount of the mortgage loan is within the mandate the broker has been given by BestLoans, or forward the application to BestLoans. If the broker deals with the application themselves, this results in either a rejection or an approval letter being sent back to the client. If the broker sends an approval letter, then it forwards the details of this application to BestLoans so that from there on the client can interact directly with BestLoans for the sake of disbursing the loan. In this case, BestLoans registers the application and sends an acknowledgment to the client.

The broker can only handle a given number of clients at a time. If the broker is not able to reply within one week, the client must contact BestLoans directly. In this case, a reduction on the interest rate is applied should the application be approved.

If BestLoans deals with the application directly, its mortgage department checks the credit of the client with the Bureau of Credit Registration. Moreover, if the loan amount is more than 90 % of the total cost of the house being purchased by the client, the mortgage department must request a mortgage insurance offer from the insurance department. After these interactions BestLoans either sends an approval letter or a rejection to the broker, which the broker then forwards to the client (this interaction may also happen directly between the mortgage department and the client if no broker is involved).

After an approval letter has been submitted to the client, the client may either accept or reject the offer by notifying this directly to the mortgage department. If the mortgage department receives an acceptance notification, it writes a deed and sends it to an external notary for signature. The notary sends a copy of the signed deed to the mortgage department. Next, the insurance department starts an insurance contract for the mortgage. Finally, the mortgage department submits a disbursement request to the financial department. When this request has been handled, the financial department notifies the client directly.

Any time during the application process, the client may inquire about the status of their application with the mortgage department or with the broker, depending on which entity is dealing with the client. Moreover, the client may request the cancellation of the application. In this case the mortgage department or the broker computes the application processing fees, which depend on how far the application process is, and communicates these to the client. The client may reply within two days with a cancellation confirmation, in which case the process is canceled, or with a cancellation withdrawal, in which case the process continues. If the process has to be canceled, BestLoans may need to first recall the loan (if the disbursement has been done), then annul the insurance contract (if an insurance contract has been drawn) and finally annul the deed (if a deed has been drawn).

4.8 Recap

This chapter provided us with the means to model complex business processes. We first learned how to structure complex process models in hierarchical levels via sub-process activities. Sub-processes represent activities that can be broken down in a number of internal steps, as compared to tasks, which capture single units of work. An interesting aspect of sub-processes is that they can be collapsed to hide details. We also discussed how to maximize reuse by defining global sub-processes within a process model collection, and invoking them via call activities. A global sub-process is modeled once and shared by different process models in a repository.

We then expanded on the topic of rework and repetition. We illustrated how structured loops can be modeled using a loop activity. Furthermore, we presented the multi-instance activity as a way to model an activity that needs to be executed multiple times without knowing the number of occurrences beforehand. Further, we saw how the concept of multi-instantiation can be related to data collections and extended to pools. We also discussed ad-hoc sub-processes for capturing unstructured repetition.

Next, we expanded on various types of event. We explained the difference between catching and throwing events and distinguished between start, end and intermediate events. We saw how message exchange between pools can be framed by message events, and how timer events can be used to model temporal triggers to the process or delays during the process. We then showed how to capture racing conditions between events external to the process, using an event-based split followed by intermediate catching events.

Afterwards, we showed how to handle exceptions. Exceptions are situations that deviate the process from its normal course, due to technology or business faults. The simplest way to react to an exception is to abort the process via a terminate end event. Exceptions can be handled by using a catching intermediate event on the boundary of an activity. If the event is caught during the activity's execution, the activity is interrupted and a recovery procedure may be launched. Another type of exception is the activity timeout. This occurs when an activity does not complete within a given timeframe. A boundary event can also be configured not to interrupt the attached activity. In this case the event is called non-interrupting. These events are convenient to model procedures that have to be launched in parallel to an activity's execution, when an event occurs. Related to exception handling is the notion of activity compensation. Compensation is required to revert the effects of an activity that has been completed, if these effects are no longer desired due to an exception that has occurred.

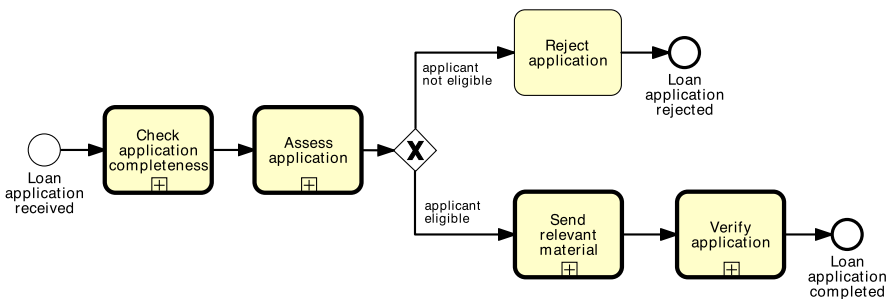
We then saw how business rules can be defined in process models via conditional events. A conditional event, available as a start and catching intermediate event, allows a process instance to start, or progress, only when the corresponding (boolean) business rule evaluates to true.

We concluded this chapter on advanced process modeling by introducing choreography diagrams. A choreography diagram models the interactions that happen between the various business parties partaking in a business process. Each activity in

the choreography captures an interaction between a sender and a receiver. To establish an order dependency between two interactions, the sender of the second activity must be involved in the first one, otherwise this party will not be able to determine when to send the message pertaining to the second interaction. We also discussed the rules for using gateways in a choreography where a decision is made by a specific party based on data or events. Sub-choreographies can be used to model complex interactions involving more than two parties, in a similar vein to sub-processes in a collaboration.

4.9 Solutions to Exercises

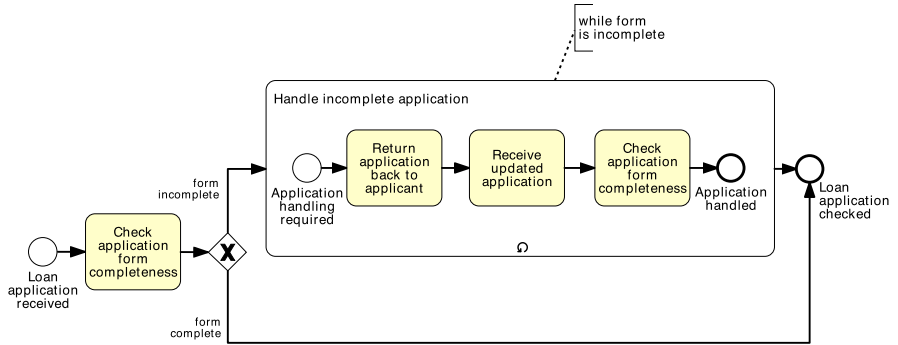
Solution 4.1



Solution 4.2 Possible sub-processes are “Request purchase”, “Issue purchase order”, “Receive goods” and “Handle invoice”. Of these, “Handle invoice” could be shared with other procure-to-pay processes of the same company, e.g. with that described in Example 1.1 for BuildIT. The first three sub-processes are internal to this procure-to-pay process, because they are specific to the enterprise system that supports this process.

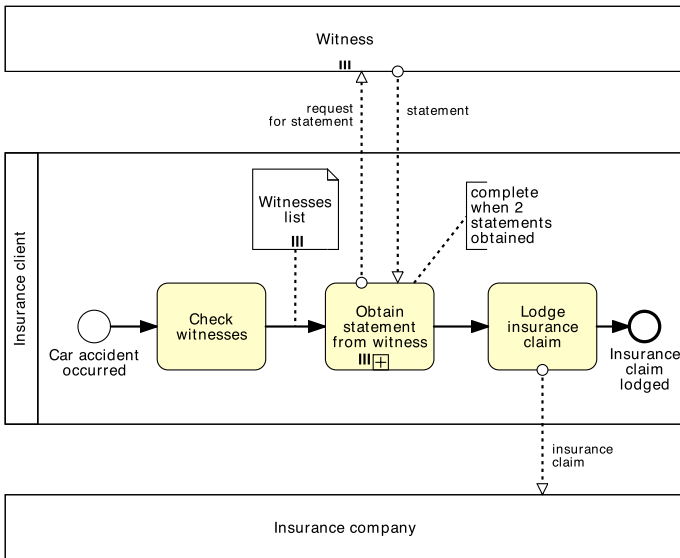
Solution 4.3

1. In Exercise 3.9 the repetition block goes from activity “Record claim” to activity “Review claim rejection”. The entry point to the cycle is the input arc of activity “Record claim”; the exit points are arcs “claim to be accepted” and “claim rejection accepted”, the former being inside the repetition block.
2. In Solution 3.4 the repetition block is made up of activities “Check application form completeness”, “Return application back to applicant” and “Receive updated application”. The entry point to the cycle is the outgoing arc of the XOR-split, while the exit point is the arc “form complete” which is inside the repetition block. To model this cycle with a loop activity, we need to repeat activity “Check application form completeness” outside the loop activity, as shown below.

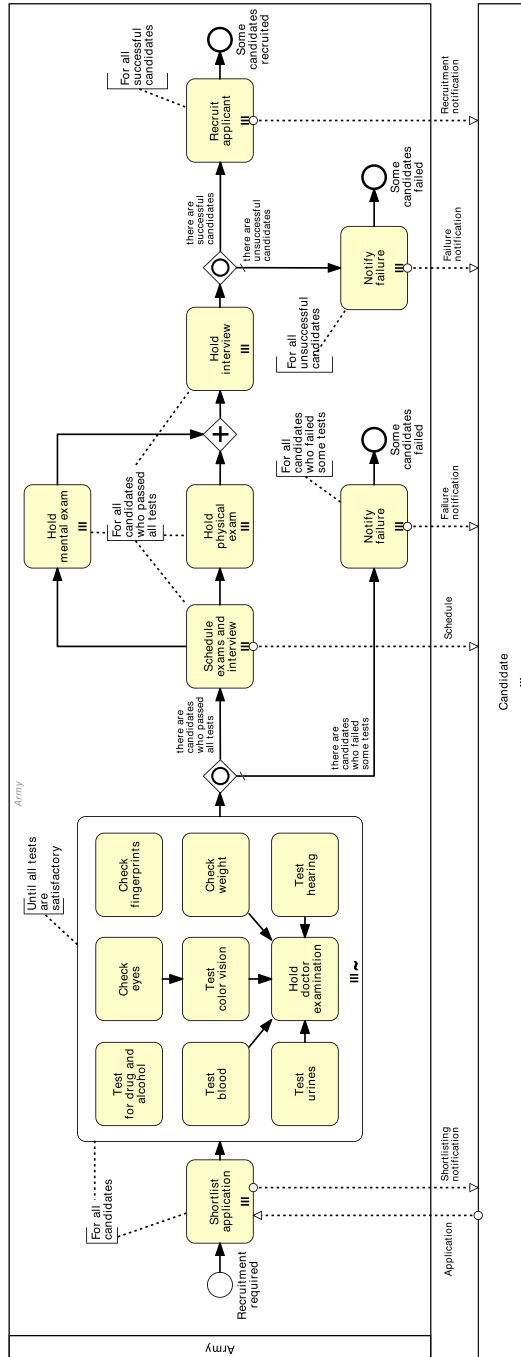


In this case using a loop activity is still advantageous, since we reduce the size of the original model if we collapse the sub-process.

Solution 4.4

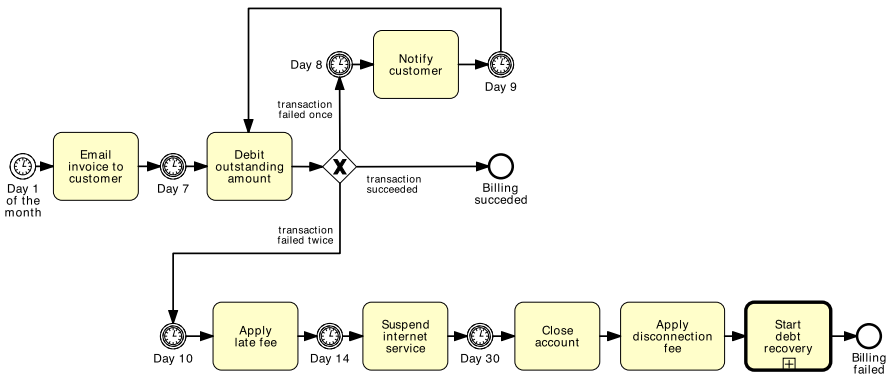


Solution 4.5

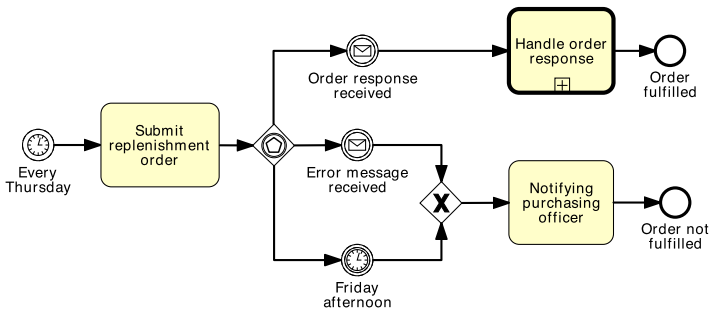


Solution 4.6 Activity “Send acceptance pack” can be replaced by an intermediate send message event; activities “Notify cancelation” and “Notify approval” can each be replaced by an end message event, thus removing the last XOR-join and the untyped end event altogether. Note that activity “Send home insurance quote” cannot be replaced by a message event since it subsumes the preparation of the quote. In fact, a more appropriate label for this activity would be “Prepare home insurance quote”. Similarly, we cannot get rid of activity “Reject application” as this activity changes the status of the application before sending the latter out.

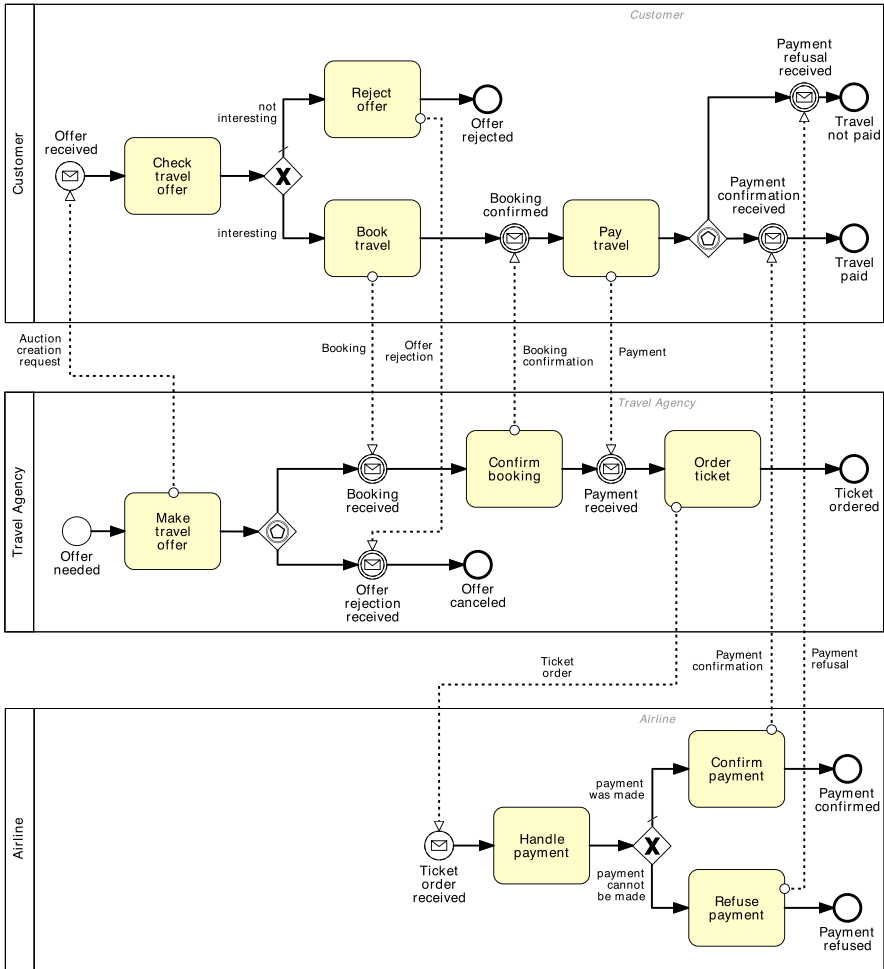
Solution 4.7



Solution 4.8

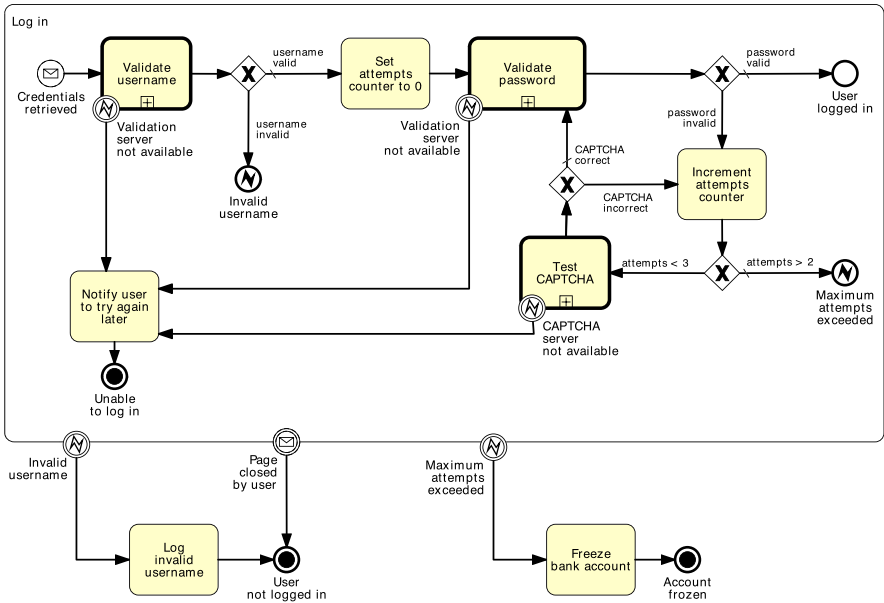


Solution 4.9

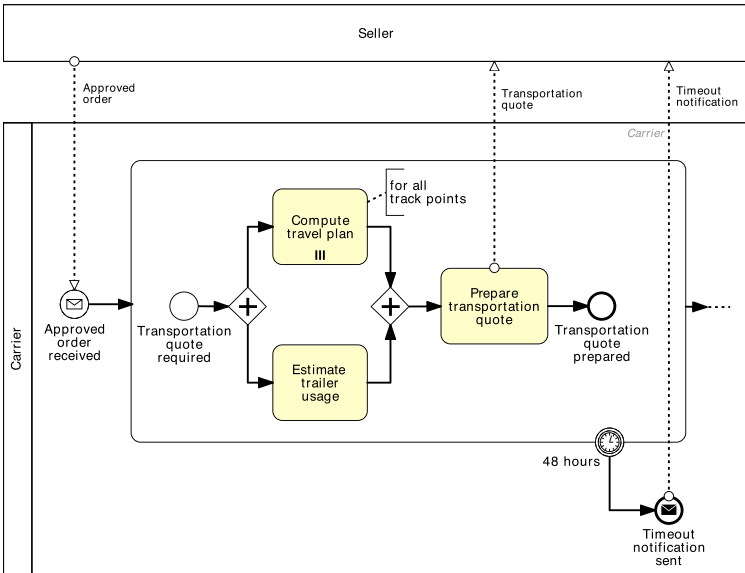


Solution 4.10 The following end events should be terminate events: Fig. 4.12—“callover deferred”, Fig. 4.14—“Quote rejected” in the Client and Insurer pools, Fig. 4.18—“Offer rejected” in the Customer pool, “Offer canceled” in the Travel Agency pool and “Payment refused” in the Airline pool.

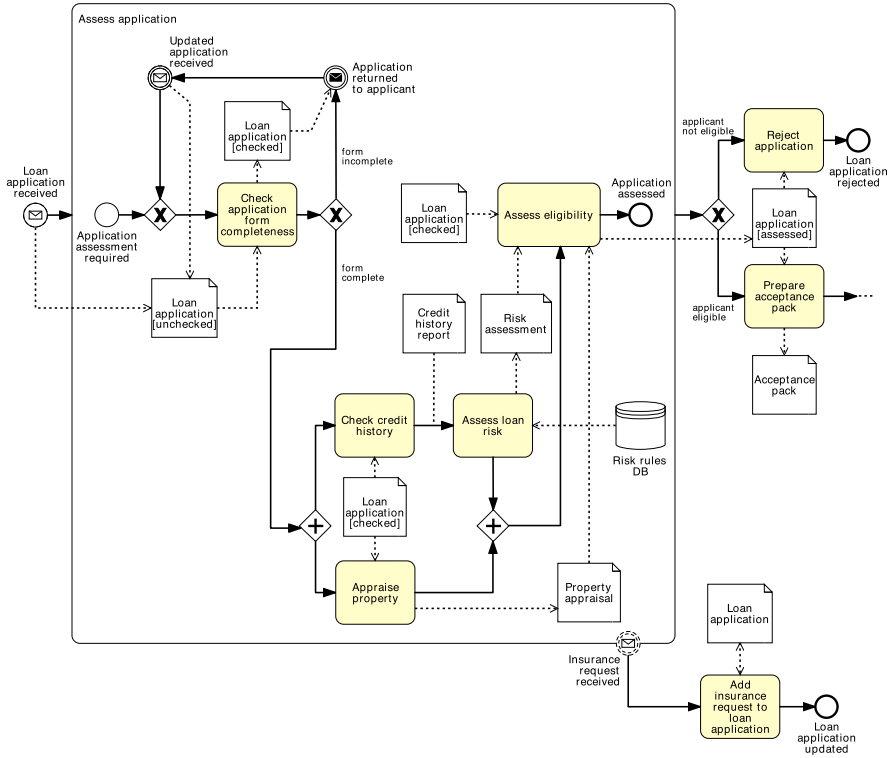
Solution 4.11



Solution 4.12

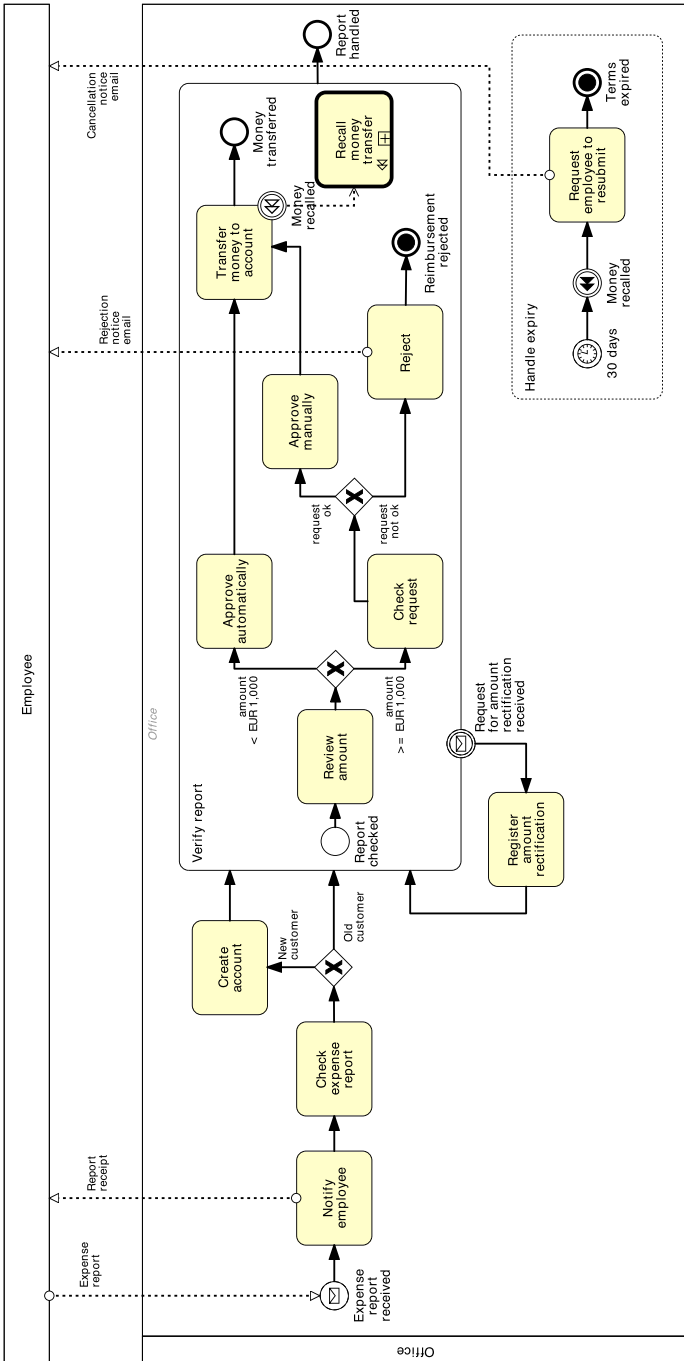


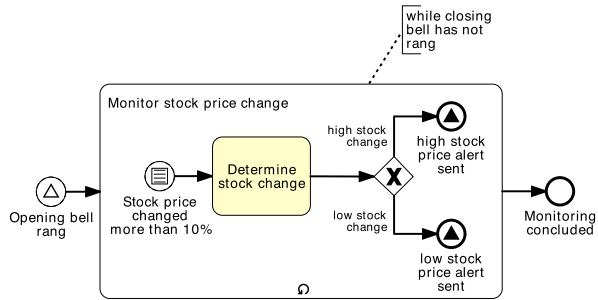
Solution 4.13



Observe that in the “Assess application” sub-process, the Loan application can have two possible states: “checked” or “unchecked”. In order to use the Loan application in any such state as input of activity “Add insurance request to loan application”, we do not specify any state for this data object in the above model.

Solution 4.15



Solution 4.16

In this solution we did not use a boundary event to stop the sub-process for monitoring stock price changes since this way, the sub-process would only stop because of an exception. Rather, we used the loop condition to allow the sub-process to complete normally, i.e. without being interrupted.

Solution 4.17

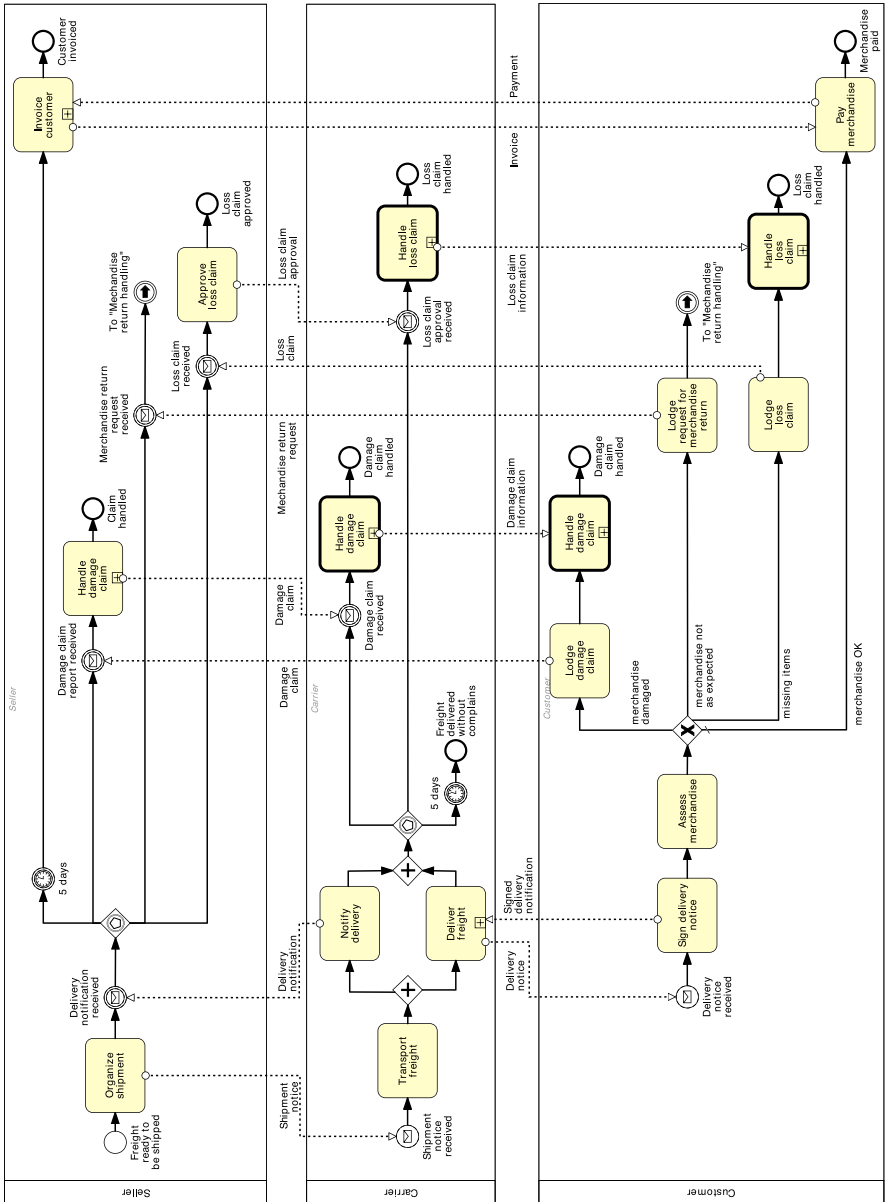


Fig. 4.28 Collaboration diagram—part 1/2 (Freight shipment fragment)

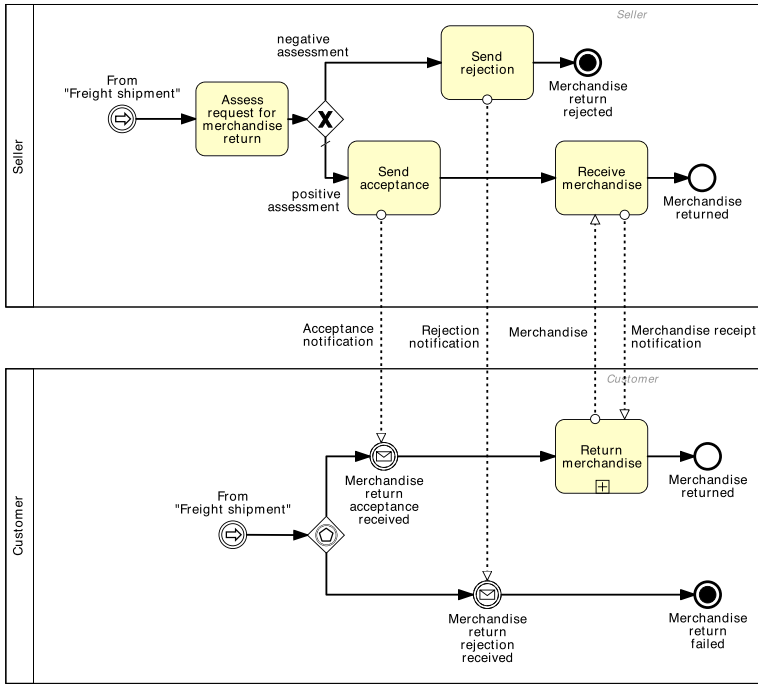


Fig. 4.29 Collaboration diagram—part 2/2 (Merchandise return handling fragment)

In Solution 4.17 we used the *link event* to lay the diagram over two pages, since the model was too large to fit in one page. The link event does not have any semantics: it is purely a notational expedient to break a diagram over multiple pages. An intermediate throwing link event (marked with a full arrow) breaks the process flow and provides a link to the diagram where the flow continues; an intermediate catching link event (marked with an empty arrow) resumes the flow and indicates the diagram where this flow is resumed from.

Solution 4.18

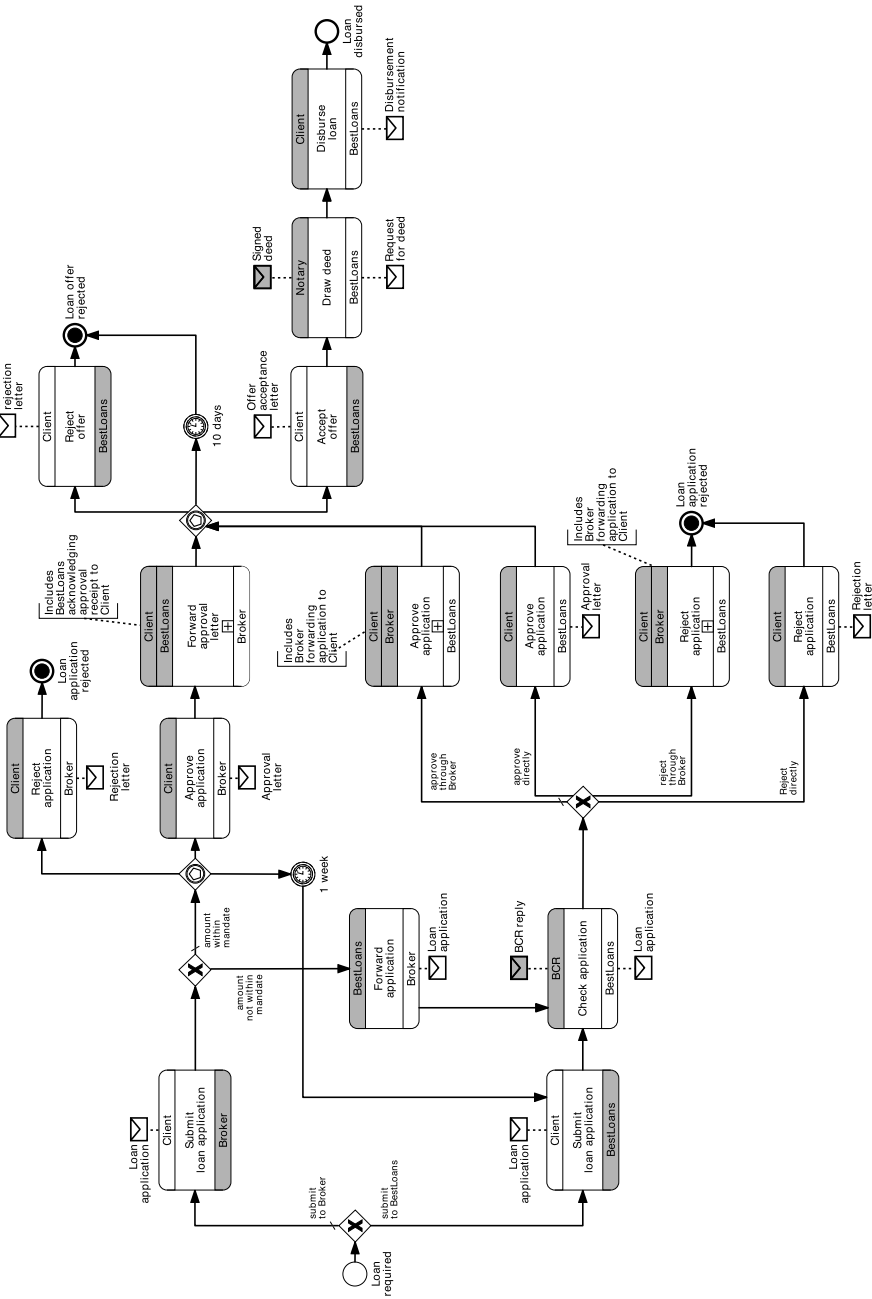


Fig. 4.30 Choreography diagram—part 1/2

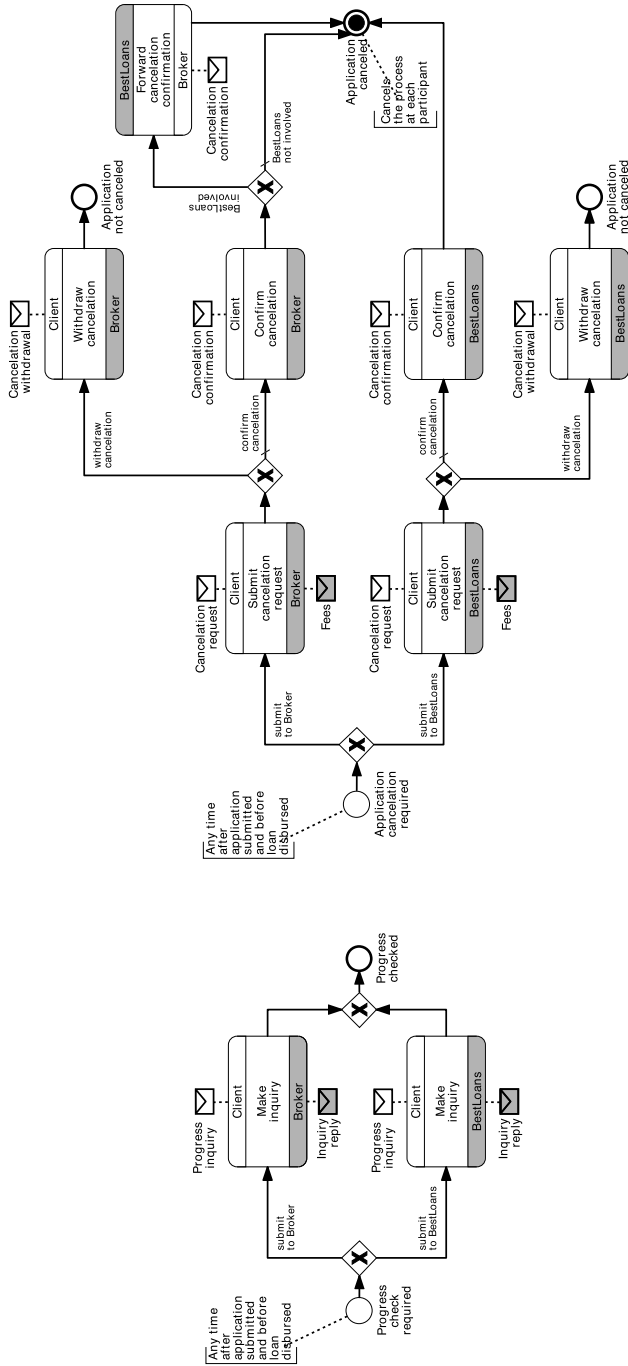


Fig. 4.31 Choreography diagram—part 2/2

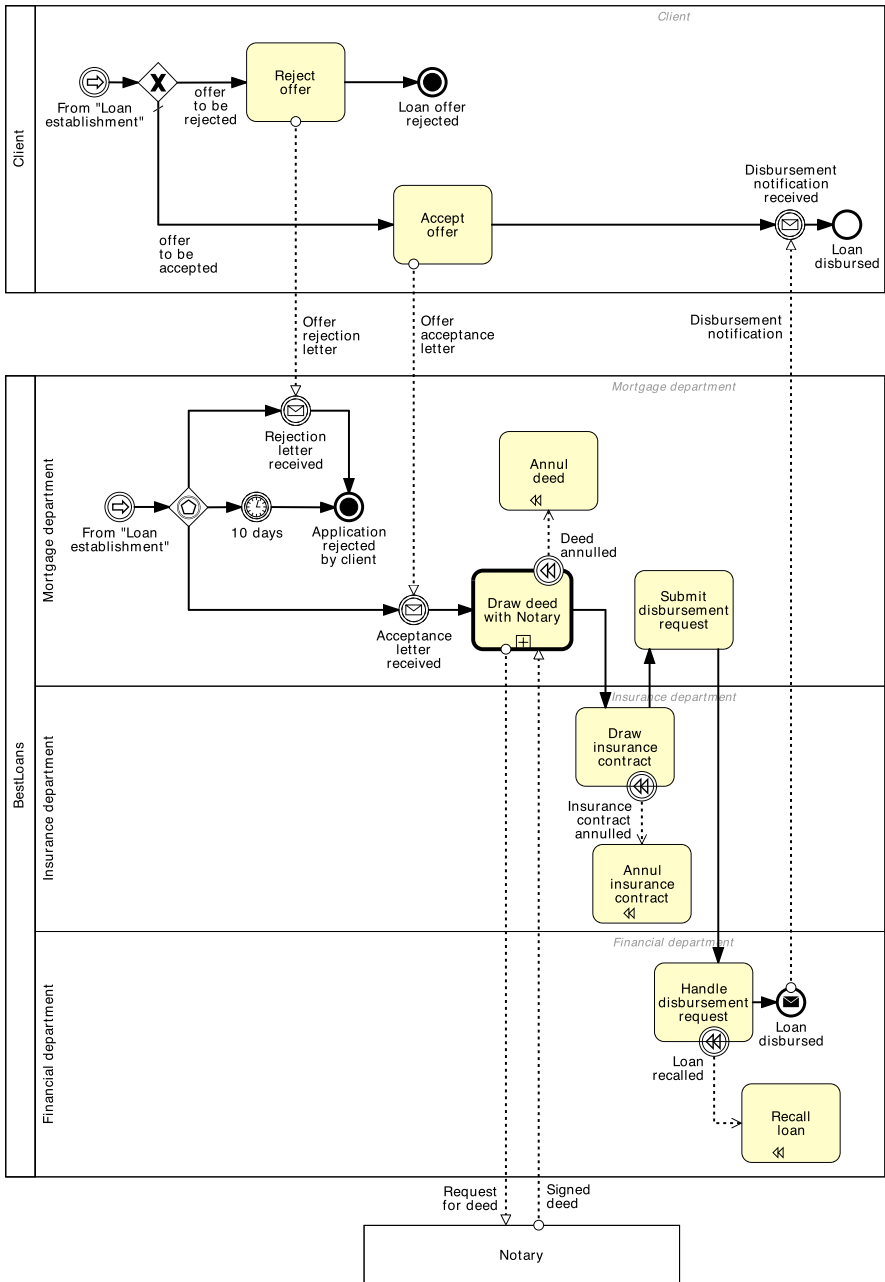


Fig. 4.33 Collaboration diagram—part 2/3 (Loan disbursement fragment)

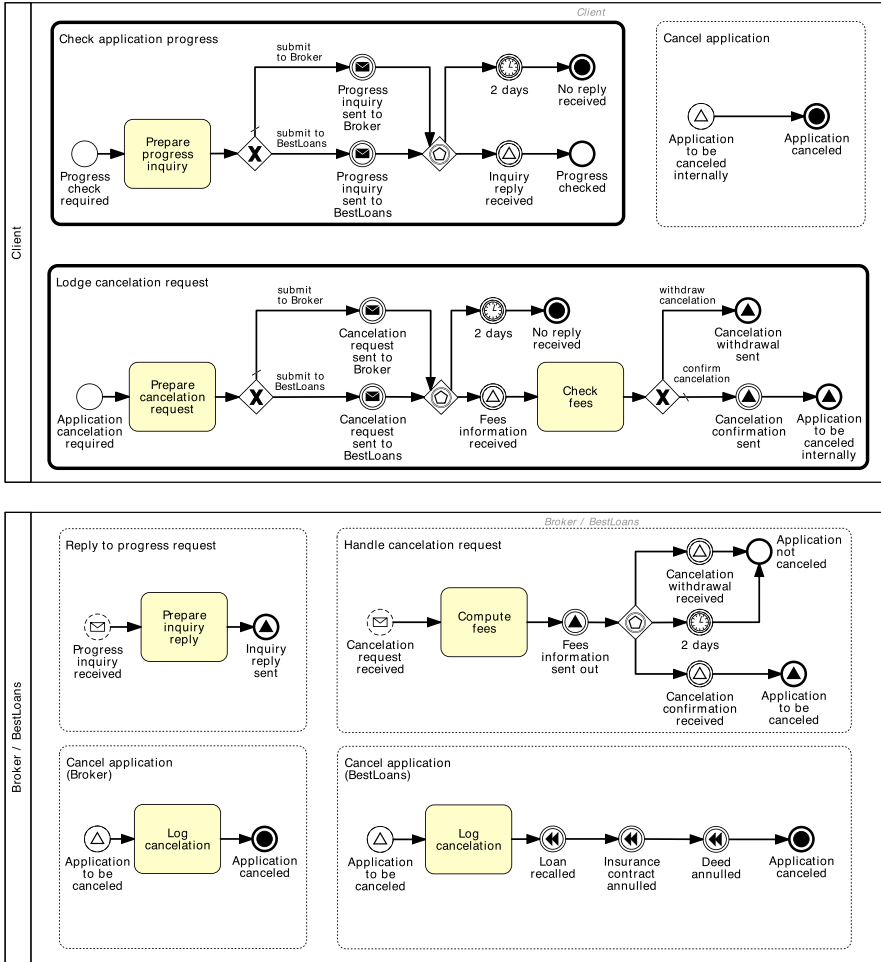


Fig. 4.34 Collaboration diagram—part 3/3 (sub-processes)

4.10 Further Exercises

Exercise 4.19

1. Model the prescription fulfillment process described in Exercise 1.6. Use sub-processes where required, and nest them appropriately.
2. Is there any sub-process that can potentially be shared with other business processes of the same pharmacy, or of other pharmacies?

Exercise 4.20 Model the business process described in Exercise 3.12 using a loop activity.

Exercise 4.21

1. What is the limitation of using a loop activity to model repetition instead of using unstructured cycles?
2. What is the requirement for a sub-process to be used as a loop activity?
3. Model the procure-to-pay process described in Example 1.1.

Hint Use the model in Fig. 1.6 as a starting point for item (3).

Exercise 4.22 Model the following business process.

Mail from the party is collected on a daily basis by the mail processing unit. Within this unit, the mail clerk sorts the unopened mail into the various business areas. The mail is then distributed. When the mail is received by the registry, it is opened and sorted into groups for distribution, and thus registered in a mail register. Afterwards, the assistant registry manager within the registry performs a quality check. If the mail is not compliant, a list of requisitions explaining the reasons for rejection is compiled and sent back to the party. Otherwise, the matter details are captured and provided to the cashier, who takes the applicable fees attached to the mail. At this point, the assistant registry manager puts the receipt and copied documents into an envelope and posts it to the party. Meantime, the cashier captures the party details and prints the physical court file.

Exercise 4.23 Model the following process for selecting Nobel prize laureates for chemistry.

September: nomination forms are sent out. The Nobel committee sends out confidential forms to around 3,000 people—selected professors at universities around the world, Nobel laureates in physics and chemistry, and members of the Royal Swedish Academy of Sciences, among others.

February: deadline for submission. The completed nomination forms must reach the Nobel Committee no later than 31 January of the following year. The committee screens the nominations and selects the preliminary candidates. About 250–350 names are nominated as several nominators often submit the same name.

March–May: consultation with experts. The Nobel committee sends the list of the preliminary candidates to specially appointed experts for their assessment of the work of the candidates.

June–August: writing of the report. The Nobel committee puts together the report with recommendations to be submitted to the Academy. The report is signed by all members of the committee.

September: committee submits recommendations. The Nobel committee submits its report with recommendations on the final candidates to the members of the Academy. The report is discussed at two meetings of the chemistry section of the Academy.

October: Nobel laureates are chosen. In early October, the Academy selects the Nobel laureates in chemistry through a majority vote. The decision is final and without appeal. The names of the Nobel laureates are then announced.

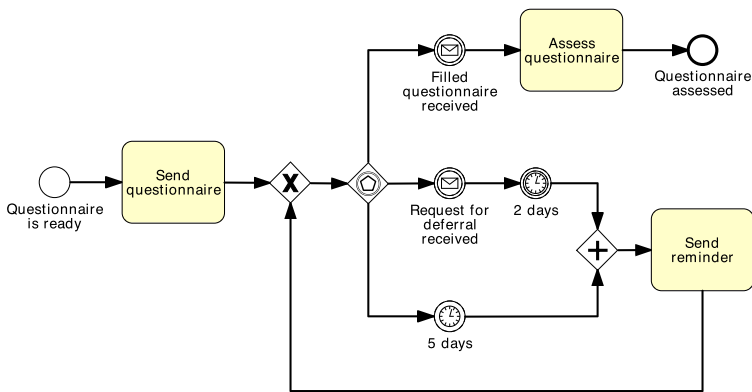
December: Nobel laureates receive their prize. The Nobel prize award ceremony takes place on 10 December in Stockholm, where the Nobel laureates receive their Nobel prize, which consists of a Nobel medal and diploma, and a document confirming the prize amount.

Acknowledgement This exercise is taken from “Nomination and Selection of Chemistry Laureates”, Nobelprize.org. 29 Feb 2012 (http://www.nobelprize.org/nobel_prizes/chemistry/nomination).

Exercise 4.24

1. What is the difference between throwing and catching events?
2. What is the meaning of an event attached to an activity’s boundary and what events can be attached to an activity’s boundary?
3. What is the difference between the untyped end event and the terminate end event.

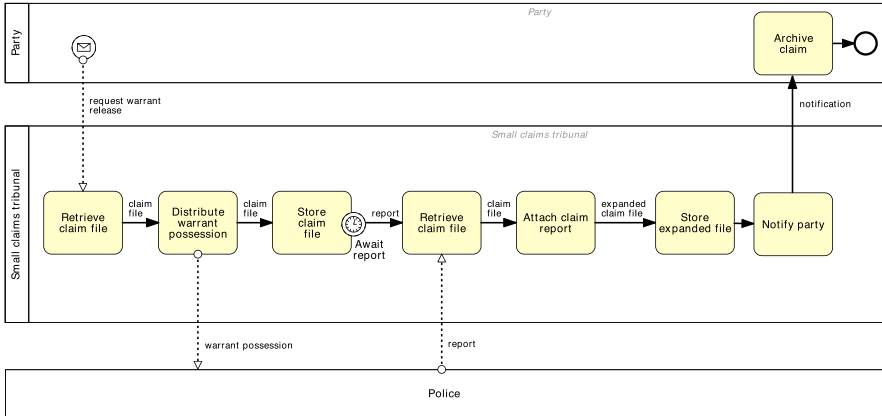
Exercise 4.25 What is wrong with the following model?



Exercise 4.26 Extend the billing process model seen in Exercise 4.7 as follows.

Any time after the first transaction has failed, the customer may pay the invoice directly to the ISP. If so, the billing process is interrupted and the payment is registered. This direct payment must also cover the late fees, based on the number of days passed since Day 7 (the last day to avoid incurring late fees). If the direct payment does not include late fees, the ISP sends a notification to the customer that the fees will be charged in the next invoice, before concluding the process.

Exercise 4.27 What is wrong with the following model?



Exercise 4.28 Model the following business process at a supplier.

After a supplier notifies a retailer of the approval of a purchase order, the supplier can either receive an order confirmation, an order change or an order cancellation from the retailer. It may happen that no response is received at all. If no response is received after 48 hours, or if an order cancellation is received, the supplier will cancel the order. If an order confirmation is received within 48 hours, the supplier will process the order normally. If an order change is received within 48 hours, the supplier will update the order and ask again the retailer for confirmation. The retailer is allowed to change an order at most three times. Afterwards, the supplier will automatically cancel the order.

Exercise 4.29 Revise the model in Exercise 3.9 by using the terminate event.

Exercise 4.30 Model the following business process.

When a claim is received, it is first registered. After registration, the claim is classified leading to two possible outcomes: simple or complex. If the claim is simple, the insurance policy is checked. For complex claims, both the policy and the damage are checked independently. A possible outcome of the policy check is that the claim is invalid. In this case, any processing is canceled and a letter is sent to the customer. In the case of a complex claim, this implies that the damage checking is canceled if it has not been completed yet. After the check(s), an assessment is performed which may lead to two possible outcomes: positive or negative. If the assessment is positive, the garage is phoned to authorize the repairs and the payment is scheduled (in this order). In any case (whether the outcome is positive or negative), a letter is sent to the customer and the process ends. At any moment after the registration and before the end of the process, the customer may call to modify the details of the claim. If a modification occurs before the payment is scheduled, the claim is classified again (simple or complex) and the process is repeated. If a request to modify the claim is received after the payment is scheduled, the request is rejected.

Exercise 4.31 Model the following business process.

An order handling process starts when an order is received. The order is first registered. If the current date is not a working day, the process waits until the following working day before proceeding. Otherwise, an availability check is performed and a purchase order response is sent back to the customer. If any item is not available, any processing related to the order must be stopped. Thereafter, the client needs to be notified that the purchase order cannot be further processed. Anytime during the process, the customer may send a purchase order cancel request. When such a request is received, the purchase order handling process is interrupted and the cancellation is processed. The customer may also send a “Customer address change request” during the order handling process. When such a request is received, it is just registered, without further action.

Exercise 4.32

1. What is the difference between a collaboration and a choreography diagram? What are the respective modeling objectives?
2. Model the choreography diagram for the collaboration diagram that you modeled in Exercise 3.7.

Exercise 4.33 Model the choreography and collaboration diagrams for the following business process for electronic land development applications.

The Smart Electronic Development Assessment System (Smart eDA) is a Queensland Government initiative aimed to provide an intuitive service for preparing, lodging and assessing land development applications. The land development business process starts with the receipt of a land development application from an applicant. Upon the receipt of a land development application, the assessment manager interacts with the cadastre to retrieve geographical information on the designated development area. This information is used to get an initial validation of the development proposal from the city council. If the plan is valid, the assessment manager sends the applicant a quote of the costs that will incur to process the application. These costs depend on the type of development plan (for residential or commercial purposes), and on the permit/license that will be required for the plan to be approved. If the applicant accepts the quote, the assessment can start.

The assessment consists of a detailed analysis of the development plan. First, the assessment manager interacts with the Department of Main Roads (DMR) to check for conflicts with planned road development works. If there are conflicts, the application cannot proceed and must be rejected. In this case, the applicant is notified by the assessment manager. The applicant may wish to modify the development plan and re-submit it for assessment. In this case, the process is resumed from where it was interrupted.

If the development plan includes modifications to the natural environment, the assessment manager needs to request a land alteration permit to the Department of Natural Resources and Water (NRW). If the plan is for commercial purposes, additional fees will be applied to obtain this permit. Once the permit is granted, this is sent by NRW directly to the applicant. Likewise, if the designated development area is regulated by special environment protection laws, the assessment manager needs to request an environmental license to the Environmental Protection Agency (EPA). Similarly, once the license is granted, this is sent by EPA directly to the applicant. Once the required permit and/or license have been obtained, the assessment manager notifies the Applicant of the final approval.

At any time during this process, the applicant can track the progress of their application by interacting directly with the assessment manager.

Assessment manager, cadastre, DMR, NRW and EPA are all Queensland Government entities. In particular, NRW and EPA are part of the Department of Environment and Resource Management within the Queensland Government.

Exercise 4.34 Model the choreography and collaboration diagrams for the following business process for ordering maintenance activities at Sparks.

The ordering business process starts with the receipt of a request for work order from a customer. Upon the receipt of this request, the ordering department of Sparks estimates the expected usage of supplies, parts and labor and prepares a quote with the estimated total cost for the maintenance activity. If the customer's vehicle is insured, the ordering department interacts with the insurance department to retrieve the details of the customer's insurance plan so that these can be attached to the quote. The ordering department then sends the quote to the customer, who can either accept or reject the quote by notifying the ordering department within five days. If the customer accepts the quote, the ordering department contacts the warehouse department to check if the required parts are in stock before scheduling an appointment with the customer. If some parts are not in stock, the ordering department orders the required parts by interacting with a certified reseller and waits for an order confirmation from the reseller, to be received within three days. If it is not received, the order department orders the parts again from a second reseller. If no reply is received from the second reseller too, the order department notifies the customer that the parts are not available and the process terminates. If the required parts are in stock or have been ordered, the ordering department interacts with an external garage to book a suitably equipped service bay and a suitably qualified mechanic to perform the work. A confirmation of the appointment is then sent by the garage to the order department which forwards the confirmation to the customer. The customer has one week to pay Sparks, otherwise the ordering department cancels the work order by sending a cancellation notice to both the service bay and the mechanic that have been booked for this order. If the customer pays in time, the work order is performed.

Exercise 4.35 Model the choreography and collaboration diagrams for the following business process at MetalWorks. Keep in mind that the purpose of this BPMN diagram is to serve as a means of communication between the business stakeholders and the IT team who has to build a software system to automate this process.

A build-to-order (BTO) process, also known as make-to-order process, is an "order-to-cash" process where the products to be sold are manufactured on the basis of a confirmed purchase order. In other words, the manufacturer does not maintain any ready-to-ship products in their stock. Instead, the products are manufactured on demand when the customer orders them. This approach is used in the context of customized products, such as metallurgical products, where customers often submit orders for products with very specific requirements.

We consider a BTO process at a company called MetalWorks. The process starts when MetalWorks receives a purchase order (PO) from one of its customers. This PO is called the "customer PO". The customer PO may contain one or multiple line items. Each line item refers to a different product.

Upon receiving a customer PO, a sales officer checks the PO to determine if all the line items in the order can be produced within the timeframes indicated in the PO. As a result of this check, the sales officer may either confirm the customer PO or ask the customer to revise the terms of the PO (for example: change the delivery date to a later date). In some extreme cases, the sales officer may reject the PO, but this happens very rarely. If the customer is asked to revise the PO, the BTO process will be put in "stand-by" until the customer submits a revised PO. The sales officer will then check the revised PO and either accept it, reject it, or ask again the customer to make further changes.

Once a PO is confirmed, the sales officer creates one "work order" for each line item in the customer PO. In other words, one customer PO gives place to multiple work orders (one per line item). The work order is a document that allows employees at MetalWorks to keep track of the manufacturing of a product requested by a customer.

In order to manufacture a product, multiple raw materials are typically required. Some of these raw materials are maintained in stock in the warehouse of MetalWorks, but others need to be sourced from one or multiple suppliers. Accordingly, each work order is examined by a production engineer. The production engineer determines which raw materials are required in order to fulfill the work order. The production engineer annotates the work order with a list of required raw materials. Each raw material listed in the work order is later checked by a procurement officer. The procurement officer determines whether the required raw material is available in stock, or it has to be ordered. If the material has to be ordered, the procurement officer selects a suitable supplier for the raw material and sends a PO to the selected supplier. This “PO for a raw material” is called a “material PO”, and it is different from the customer PO. A material PO is a PO sent by MetalWorks to one of its suppliers, whereas a customer PO is a PO received by MetalWorks from one of its customers.

Once all materials required to fulfill a work order are available, the production can start. The responsibility for the production of a work order is assigned to the same production engineer who previously examined the work order. The production engineer is responsible for scheduling the production. Once the product has been manufactured, it is checked by a quality inspector. Sometimes, the quality inspector finds a defect in the product and reports it to the production engineer. The production engineer then decides whether: (i) the product should undergo a minor fix; or (ii) the product should be discarded and manufactured again. Once the production has completed, the product is shipped to the customer. There is no need to wait until all the line items requested in a customer PO are ready before shipping them. As soon as a product is ready, it can be shipped to the corresponding customer.

At any point in time (before the shipment of the product), the customer may send a “cancel order” message for a given PO. When this happens, the sales officer determines if the order can still be canceled, and if so, whether or not the customer should pay a penalty. If the order can be canceled without penalty, all the work related to that order is stopped and the customer is notified that the cancellation has been successful. If the customer needs to pay a penalty, the sales officer first asks the customer if they accept to pay the cancellation penalty. If the customer accepts to pay the cancellation penalty, the order is canceled and all work related to the order is stopped. Otherwise, the work related to the order continues.

4.11 Further Reading

In this chapter we showed how sub-processes can be used to reduce the complexity of a process model by reducing the overall process model *size*. Size is a metric strongly related to the understandability of a process model. Intuitively, the smaller the size, the more understandable will the model be. There are other metrics that can be measured from a process model to assess its understandability, for instance the *degree of structuredness*, the *diameter*, and the *coefficient of connectivity*. A comprehensive discussion on process model metrics is available in [50]. The advantages of modularizing process models into sub-processes and automatic techniques are covered in [75], while the correlation between number of flow objects and error probability in process models is studied in [54, 55].

BPMN 2.0 provides various other event types besides the main ones presented in this chapter. For example, the *link event* can be used to modularize a process sequentially (useful when a process model does not fit on a single paper and has to be divided over multiple papers). An example of link event is shown in Figs. 4.28 and 4.29. The *multiple event* can be used to catch one of a set of events or throw a set of

events. Moreover, BPMN 2.0 provides a further diagram type besides collaborations and choreographies. This diagram type is called *conversation diagram*, and focuses on the messages exchanged by two or more process parties, abstracting from the precise order in which the messages occur. All these constructs are described in detail in the BPMN 2.0 specification by OMG [61]. There are also various books that present BPMN 2.0 by example, among others [2, 87, 107].

This chapter concludes our coverage of the BPMN 2.0 language. For further information on this language, we point to the BPMN web-site: www.bpmn.org, where the official specification can be downloaded from. This site also provides a link to a handy BPMN poster, a quick reference guide on all BPMN elements and includes a comprehensive list of books on the subject, as well as tool implementations that support this standard.

Chapter 5

Process Discovery

*All truths are easy to understand once they are discovered;
the point is to discover them.*
Galileo Galilei (1564–1642)

The previous chapters showed how to create a BPMN model. This chapter goes further by showing how to create models that are both correct and complete. To this end, one needs to thoroughly understand the operation of a business process, and one needs to possess the technical skills to represent it in an appropriate BPMN model. These two types of skill are hardly ever unified in the same person. Hence, multiple stakeholders with different and complementary skills are typically involved in the construction of a process model.

This chapter presents the challenges faced by the stakeholders involved in the lead-up to a process model. Then, we discuss methods to facilitate effective communication and information gathering in this setting. Given the information gathered in this way, we show step by step how to construct a process and what criteria should be verified before a process model is accepted as an authoritative representation of a business process.

5.1 The Setting of Process Discovery

Process discovery is defined as the act of gathering information about an existing process and organizing it in terms of an as-is process model. This definition emphasizes gathering and organizing information. Accordingly, process discovery is a much broader activity than modeling a process. Clearly, modeling is a part of this activity. The problem is though that modeling can only start once enough information has been put together. Indeed, gathering information often proves to be cumbersome and time-consuming in practice. Therefore, we need to first define a setting in which information can be gathered effectively. In order to address these issues, we can describe four phases of process discovery:

1. Defining the setting: This phase is dedicated to assembling a team in a company that will be responsible for working on the process.

2. **Gathering information:** This phase is concerned with building an understanding of the process. Different discovery methods can be used to acquire information on a process.
3. **Conducting the modeling task:** This phase deals with organizing the creation of the process model. The modeling method gives guidance for mapping out the process in a systematic way.
4. **Assuring process model quality:** This phase aims to guarantee that the resulting process models meet different quality criteria. This phase is important for establishing trust in the process model.

Typically, one or several *process analysts* are responsible for driving the modeling and analysis of a business process. Often, the process analyst is not familiar with all details of the business process. The definition of the setting of process discovery is critical since it helps the process analyst to secure the commitment of various domain experts for providing information on the process. These domain experts have to cover the relevant perspectives on the process. Therefore, different *domain experts* should be involved. A domain expert is any individual who has intimate knowledge about how a process or activity is performed. Typically, the domain expert is a process participant, but it can also be a process owner or a manager who works closely with the process participants who perform the process. Also suppliers and customers of the process can be considered as domain experts. The involved domain experts should jointly have insight into all activities of the process. It is the task of the process owner to secure the commitment and involvement of these persons. In the following, we will focus on the relationship between process analyst and domain expert in order to illustrate three challenges of process discovery.

5.1.1 Process Analyst Versus Domain Expert

One fundamental problem of process discovery relates to the question of who is going to model the business process. This problem is illustrated by the following exercise.

Exercise 5.1 Consider the following two tasks, and explain their difference:

- The task of modeling the process of signing a rental contract in your city.
- The task of modeling the process of getting a license plate for your car in Liechtenstein as a foreign resident.

The point of this exercise is to emphasize a potential difference in knowledge about processes. If you have already acquired some knowledge of mapping processes with BPMN by the help of this book, you will be able to create an initial process model for the rental process. The reason is that you not only have modeling

Table 5.1 Typical profile of process analyst and domain expert

Aspect	Process Analyst	Domain Expert
Modeling Skills	strong	limited
Process Knowledge	limited	strong

knowledge but also some knowledge about the domain of renting a flat in your city. The case is likely to be different for getting a license plate for a car in Liechtenstein as a foreign resident. There are only few foreign residents living in Liechtenstein, our colleague Jan vom Brocke being one of them. Most other people would not know how this process works. If we are supposed to model a process that we do not know, we have to gather an extensive amount of information about it in order to understand how it works. That is exactly the situation we are typically facing in practice: a process needs to be modeled, we have the required modeling skills, but we have only limited knowledge of the corresponding domain.

In order to describe the typical modeling situation in a plastic way, we distinguish between the role of a *process analyst* and the role of a *domain expert*. In a real modeling project, we have one or a few process analysts and several domain experts. Process analysts and domain experts have complementary roles in the act of process discovery as well as different strengths as shown in Table 5.1. The process analyst is the one who has profound knowledge of business process modeling techniques. A process analyst is familiar with languages like BPMN and skilled in organizing information in terms of a process diagram. However, process analysts have typically a limited understanding of the concrete process that is supposed to be modeled. For this reason, they depend upon the information being provided by domain experts. Domain experts have detailed knowledge of the operation of the considered business process. They have a clear understanding of what happens within the boundaries of the process, which participants are involved, which input is required, and which output is generated. On the downside, the domain expert is typically not familiar with languages like BPMN. In some companies, domain experts even refuse to discuss process models and diagrams, because they feel more comfortable by sticking to natural language for explaining what is happening in the process. As a consequence, domain experts often rely on a process analyst for organizing their process knowledge in terms of a process model.

At this stage, it has to be emphasized that the difference in modeling skills of process analysts and domain experts only results from different exposure to practical modeling and modeling training. Many companies use training programs for improving the modeling skills of domain experts. Such training is a prerequisite for modeling initiatives where process participants are expected to model processes on their own. On the other hand, there are consulting companies that specialize in a particular domain. It is an advantage when process analysts of consultancies can be assigned to modeling projects who are experts in modeling and have at least a certain level of domain expertise.

5.1.2 Three Process Discovery Challenges

The fact that modeling knowledge and domain knowledge is often available in different persons in a modeling project has strong implications. It gives rise to three essential challenges of process discovery, namely fragmented process knowledge, thinking in cases, and lack of familiarity with process modeling languages.

Exercise 5.2 An online book retailer faces a problem with its order process in terms of processing time. In order to identify the root cause of the problem, the company decides that every team involved with the order process should model its part of the process. Why could this approach be problematic?

The first challenge of process discovery relates to *fragmented process knowledge*. Business processes define a set of logically related activities. These activities are typically assigned to specialized participants. This has the consequence that a process analyst needs to gather information about a process not only by talking with a single domain expert, but with several domain experts who are responsible for the different tasks of the process. Typically, domain experts have an abstract understanding of the overall process and a very detailed understanding of their own task. This makes it often difficult to puzzle the different views together. In particular, one domain expert might have a different idea about which output has to be expected from an upstream activity than the domain expert actually working on it. Potential conflicts in the provided information have to be resolved. It is also often the case that the rules of the process are not explicitly defined in detail. In those situations, domain experts may operate with diverging assumptions, which are often not exactly consistent. Fragmented process knowledge is one of the reasons why process discovery requires several iterations. Having received input from all relevant domain experts, the process analyst has to make proposals for resolving inconsistencies, which again requires feedback and eventually approval of the domain experts.

The second challenge of process discovery stems from the fact that domain experts typically *think of processes on a case level*. Domain experts will find it easy to describe the activities they conducted for one specific case, but they might have problems responding to general questions about how a process works in the general way. Process analysts often get answers like “you cannot really generalize, every case is different” to such a question. It is indeed the task of the process analyst to organize and abstract from the pieces of information provided by the domain expert in such a way that a systematically defined process model can emerge. Therefore, it is required to ask specific questions about what happens if some task is completed, what if certain conditions do or do not hold, and what if certain deadlines are not met. In this way, the process analyst can reverse engineer the conditions that govern the routing decisions of a business process.

The third challenge of process discovery is a result of the fact that domain experts are typically *not familiar with business process modeling languages*. This observation already gave rise to the distinction of domain experts and process analysts. In this context, the problem is not only that domain experts are often not trained to

create process models themselves, but also that they are not trained to read process models that others have created. This lack of training can encumber the act of seeking feedback to a draft of a process model. In this situation it is typically not appropriate to show the model to the domain expert and ask for corrections. Even if domain experts understand the activity labels well, they would often not understand the sophisticated parts of control flow captured in the model. Therefore, the process analyst has to explain the content of the process model in detail, for example by translating the formal notation of the process model to a natural-language description with the same meaning. Domain experts will feel at ease in responding to these natural-language explanations, pointing out aspects that need modification or further clarification according to their understanding of the process.

5.1.3 Profile of a Process Analyst

The skills of a process analyst play an important role in process discovery. Expert process analysts can be described based on a set of general dispositions, their actual behavior in a process analysis project, and in terms of the process resulting from their efforts.

Exercise 5.3 You are the manager of a consulting company, and you need to hire a person for the newly signed process analysis project with an online book retailer. Consider the following two profiles, who would you hire as a process analyst?

- Mike Miller has ten years of work experience with an online retailer. He has worked in different teams involved with the order process of the online retailer.
- Sara Smith has five years of experience working as a process analyst in the banking sector. She is familiar with two different process modeling tools.

Research on expertise in the general area of system analysis and design has found that there are certain personal traits that are likely to be observed for expert process analysts. Apparently, there seems to exist a set of certain personal dispositions that help in becoming an expert in process analysis. One of the ways to describe personality is the so-called *Five Factor Model* developed in psychological research. In essence, this model contains the dimensions openness (appreciating art, emotion, and adventure), conscientiousness (tendency to self-discipline, achievement and planning), extraversion (being positive, energetic, and seeking company), agreeableness (being compassionate and cooperative), and neuroticism (being anxious, depressed and vulnerable). These factors have also been studied regarding their connection with expert analysts. These experts appear to be strong both in terms of conscientiousness and extraversion. Indeed, process discovery projects require a conscientious planning and coordination of interviews with various domain experts in a limited period of time. Furthermore, process discovery projects are sometimes subject to enterprise-internal politics in situations where the agenda of different process stakeholders is not thoroughly clear or where stakeholders might fear losing

their position. In such an environment, it is valuable to have an energetic and extraverted process analyst involved who is able to create a positive atmosphere for working on the project.

Process discovery in general belongs to the category of ill-defined problems. This means in the beginning of a process discovery project, it is not exactly clear who of the domain experts have to be contacted, which documentation can be utilized, and which agenda the different stakeholders might have in mind. The way how expert analysts navigate through a project is strongly influenced by experiences with former projects. Therefore, there is a strong difference between the way how novices and expert analysts conduct problem understanding and problem solving. In terms of problem understanding, it has been observed that expert analysts approach a project in terms of what are the things that need to be achieved. Novices lack this clear goal orientation, and try to approach things in a bottom-up way. This means, they often start by investigating material that is easily accessible and talk to persons that readily respond. Experts work in a different way. They have an explicit set of triggers and heuristics available from experiences with prior projects. They tend to pay specific attention to the following aspects:

- Getting the right people on board. If you need to talk to a given process participant, make sure their immediate supervisor and the one above them is on board and that the process participant knows that their hierarchy backs their involvement in the process discovery effort.
- Having a set of working hypotheses on how the process is structured at different levels of details. In order to progress with the project, it is important to have a short and precise set of working hypotheses, which they step-by-step challenge. Prepare a extensive set of questions and assumptions to be discussed in workshops or interviews.
- Identifying patterns in the information provided by domain experts. These can be utilized for constructing parts of a process model. Such pieces of information typically refer to specific control structure. For instance, statements about certain activities being alternative, exclusive, or subject to certain conditions often point to the usage of XOR-gateways. In a similar way, statements about activities being independent of another, or sometimes being in one or another order, often suggest concurrency. For their knowledge of such patterns, it is often easy for expert analysts to sketch out processes.
- Paying attention to model aesthetics. Models have to look nice to be engaging to a wide audience. This does not only help to have a resulting model that is easy to understand by stakeholders, but also valuable throughout the process of creating the model. Experts also use the right level of abstraction. For example, you should not show a super-detailed model to an executive-level manager. The importance of layout is apparent from the fact that expert analysts often take half of the time while creating a model for repositioning its elements in a meaningful way.

5.2 Discovery Methods

As we have now a rough idea of the tasks that a process analyst has and which capabilities and limitations he has to keep in mind when interacting with domain experts, we turn to different techniques for gathering information about a process. In general, we distinguish three classes of discovery techniques, namely evidence-based discovery, interview-based discovery, and workshop-based discovery. There are strengths and limitations, which we will discuss subsequently.

Exercise 5.4 Imagine you would be assigned the task of modeling the process of how a book order is processed by your favorite online book retailer. How can you systematically gather the required pieces of information about this process?

5.2.1 Evidence-Based Discovery

Various pieces of evidence are typically available for studying how an existing process works. Here, we discuss three methods: document analysis, observation, and automatic process discovery.

Document analysis exploits the fact that there is usually documentation material available that can be related to an existing process. However, there are some potential issues with document analysis. First, most of the documentation that is available about the operations of a company is not readily organized in a process-oriented way. Think of an organization chart, for instance. It defines the departments and positions, it is helpful to identify a potential set of process stakeholders. Such material can help to structure phases of a process. For example, in case of our online book retailer, it might reveal that the sales department, the logistics department and the finance department are likely to be involved with the book order. Second, the level of granularity of the material might not be appropriate. While an organization chart draws rather an abstract picture of a company, there are often many documents that summarize parts of a process on a too fine-granular level. Many companies document detailed work instructions for tasks and work profiles for positions. These are typically too detailed for modeling processes. Third, many of the documents are only partially trustworthy. For a process discovery project, it is important to identify how a process works in reality. Many documents do not necessarily show reality. Some of them are outdated and some state how things should work idealistically, and not how people conduct them in reality. The advantage of document analysis is that a process analyst can use them to get familiar with certain parts of a process and its environment, and also to formulate hypotheses. This is helpful before talking to domain experts. On the downside, a process analyst has to keep in mind that documents do not necessarily reflect the reality of the process.

If we use *observation* as a method of discovery, we directly follow the processing of individual cases in order to get an understanding of how a process works. The process analyst can either play the active role of a customer of a process or the

passive role of an observer. As part of the *active customer role*, the process analyst triggers the execution of a process and records the steps that are executed and the set of choices that are offered. For instance, in the case of the online book retailer, the analyst can create a new book order and keep track of which activities are performed at the side of the retailer. This provides a good understanding of the boundaries of the process and its essential milestones. However, the analyst will only see those parts of the process that require interaction with the customer. All backoffice processing remains a black box. The role of a *passive observer* is more appropriate for understanding the entire process, but it also requires access to the people and sights where the process is being worked on. Usually, such access requires the approval of the managers and supervisors of the corresponding teams. Furthermore, there might be a potential issue with people acting differently, because they are aware of being observed. People usually change their behavior under observation in such a way that they work faster and more diligently. This is important to be kept in mind when execution times have to be estimated. However, discovery based on observation has the advantage that it reveals how a process is conducted in reality today, which is in contrast to document analysis that typically captures the past.

A third option of *automatic process discovery* emerges from the extensive operational support of business processes provided by various information systems. Automatic process discovery makes use of event logs that are stored by these information systems. Such event data have to be recorded in such a way that each event can be exactly related to three things: an individual case of the process, a specific activity of the process, and a precise point in time. If these three pieces of information are available in the event logs, then automatic process discovery techniques can be used to reconstruct the process model, for example for the online book retailer. Since this approach shares some characteristics with data mining, where meaningful information is extracted from fine-granular data, these techniques of automatic process discovery are subsumed to the research area of process mining. The advantage of automatic process discovery is that event logs capture the execution of a process very accurately including information about execution times. A limitation is though that some log information can be misleading. This may be the case if a system crashes such that logs are not stored correctly. These failure types relating to a flawed storage of event logs are summarized with the term noise. Furthermore, the models resulting from process mining may not be directly understandable. Process behavior can be very complex, such that the generated models are hardly readable. In such a case, the logs have to be filtered or clustered for getting models that help understanding the process.

5.2.2 Interview-Based Discovery

Interview-based discovery refers to methods that build on interviewing domain experts about how a process is executed. With these methods, we have to explicitly take into account the challenges of process discovery, namely the fact that process

knowledge is scattered across different domain experts, that domain experts typically think in terms of individual cases, and that domain experts are often not familiar with business process modeling languages. This has implications for how the interviews can be scheduled, and which phases and iterations are required.

Exercise 5.5 Consider that the order process of your favorite online book retailer has ten major activities that are conducted by different persons. How much time do you need approximately for creating a process model that is validated and approved by the process owner? Make appropriate assumptions.

We have mentioned that process knowledge is typically fragmented due to specialization and division of labor. For this reason, interviews have to be conducted with various domain experts involved in the process. As the process analyst might not yet understand the details of the involvement of different domain experts, it might be required to discover the process step by step. There are two strategies available for scheduling interviews: starting backwards from the products and results of the process and starting at the beginning by proceeding forward. Conducting interviews in a forward way permits to follow the flow of processing in the order of how it unfolds. This is particularly helpful for understanding which decisions are taken at a given stage. However, following the processing in a backward way has also advantages. People working in a process require certain input to be available for conducting their work, and this perspective makes it easy to consider what has to be achieved before a specific activity can be conducted. Both perspectives, the downstream and the upstream perspective are important when interviewing domain experts. With each interview partner, it must be clarified which input is expected from prior upstream activities, which decisions are taken, and in which format the results of an activity are forwarded to which subsequent party.

The discovery challenges emphasize that the expertise of the process analyst is required for abstracting information on how individual cases are executed in order to construct meaningful process models. Typically, the process analyst gathers information about the process in interviews and later organizes the material offline before constructing an initial process model. As a consequence, interviewing a domain expert is often conducted in different iterations. After an initial interview, the process analysts creates a draft process model, which is then discussed with the domain expert in terms of correctness and completeness. Here, it is important to ask what happens if something goes wrong or how unexpected cases are handled. This feedback interview usually triggers another round of rework. In some cases, the second feedback round leads to an approval of the process model. In other cases, a third feedback round is required for checking the reworked process model again. Often, domain experts feel more comfortable with free-form interviews where they can discuss the process at a level of detail that they find appropriate. Structured interviews, in contrast, can create a feeling of running through a checklist, with the effect that domain experts hold back important information that they are not explicitly asked for.

It is a strength of interview-based discovery that the interview situation provides a rich and detailed picture of the process and the people working in it. It has the

potential to reveal inconsistent perceptions that different domain experts may have on how a process operates. It also helps the process analyst to understand the process in detail. However, it is a labor-intensive discovery method. Several iterations are required for arriving at a point where domain experts feel comfortable with how a process is described in a process model.

One recurrent pitfall of interviews is that when asked how a given process or activity is performed, the interviewee tends to describe the normal way of processing. Thus, exceptions tend to be left aside. In other words, the interview ends up covering only the “sunny-day” scenario. One way to prevent this pitfall is to reserve time during the interview to focus on the “rainy-day” scenarios. Questions that can be used to spark discussion on the rainy-day scenario are: “How did you handle your most difficult customer?”, “What was the most difficult case you have worked on?”. This technique allows one to uncover variations or exceptions in the process that, while not necessarily frequent, have a sufficient impact on the process to be worth documenting.

5.2.3 *Workshop-Based Discovery*

Workshop-based discovery also offers the opportunity to get a rich set of information on the business process. Although this is not always the case, the setting can be organized in such a way that the contributions to the discussion are immediately used to model the process. In contrast to interviews, it not only involves more participants, but also a bigger set of roles. Additional roles are required for facilitating the discussion and for operating the process modeling tool. The *facilitator* takes care of organizing the verbal contributions of the participants. The *tool operator* is responsible for directly entering the discussion results into the modeling tool. Several *domain experts* also participate, as much as the *process owner* and the *process analyst*. The involvement to this extensive set of persons requires diligent preparation and scheduling. Furthermore, the process will not be sketched out in detail in only one session. It can be expected that three to five half-day sessions are required.

At the start of a process discovery effort, when there is not yet information available for modeling the process, it can be beneficial to take a more lightweight and participative approach to organizing the workshops. One technique to engage the workshop participants in the discovery effort is by asking workshop participants to build a map of the process using sticky notes. The facilitator starts with a pad of sticky notes. Each sticky note is meant to represent a task or event. The group starts to discuss how the process typically starts. The facilitator then writes the name of the (supposedly) first task or event into a sticky note and posts it on the wall. Then the facilitator asks what can happen next. The participants start mentioning one or more possible tasks. The facilitator writes these activities in new sticky notes and starts posting these on the wall, organizing them for example from left to right or top to bottom to capture the order of the activities. At this stage no lines are drawn between the tasks and no gateways are discovered. The purpose of this exercise is to build

Table 5.2 Relative strengths and limitations of process discovery methods

Aspect	Evidence	Interview	Workshop
Objectivity	high	medium-high	medium-high
Richness	medium	high	high
Time Consumption	low-medium	medium	medium
Immediacy of Feedback	low	high	high

a map of activities and their temporal ordering. Sometimes, participants disagree on whether something is one task or two tasks. If the disagreement cannot be resolved, the two tasks can be written as two sticky notes and these two related sticky notes are pasted next to each other. The facilitator also needs to pay attention to the fact that the tasks being posted should be at the same level of detail. When people start mentioning small micro-steps, like “putting the document on a fax machine” the facilitator should try to lift the level of abstraction. In the end, this exercise leads to a rough map that the process analyst can take as input for constructing an initial model.

Exercise 5.6 Consider the following two companies. Company A is young, founded three years ago, and has grown rapidly to a current toll of 100 employees. Company B is owned by the state and operates in a domain with extensive health and security regulations. How might these different characteristics influence a workshop-based discovery approach?

Workshop-based process discovery requires an organized facilitation and an atmosphere of openness. In terms of facilitation, the facilitator has to ensure that the parole is balanced between the different participants. This means on the one hand restricting the speech time of talkative participants. On the other hand, more introverted participants should be encouraged to express their perspective. An atmosphere of openness is helpful for having everybody participate. This aspect is influenced by the culture of the company. In organizations with a strongly emphasized hierarchy, it might be difficult for domain experts to express their view openly if their supervisor is present. If creativity and independent thinking is appreciated in the company, the participants are likely to feel at ease with discussing issues. It is the responsibility of the facilitator to stimulate a constructive workshop interaction in both cases. In this case, workshops have the potential to resolve inconsistencies directly with all involved parties.

5.2.4 Strengths and Limitations

The different methods of process discovery have strengths and limitations. These can be discussed in terms of objectivity, richness, time consumption, and immediacy of feedback (see Table 5.2).

- **Objectivity:** Evidence-based discovery methods typically provide the best level of objectivity. Existing documents, existing logs and observation provide an unbiased account of how a process works. Interview-based and workshop-based discovery both have to rely on the descriptions and interpretations of domain experts who are involved with the process. This bears the risk that those persons may have perceptions and ideas of how the process operates, which may be partially not correct. Even worse, the process analyst is also at risk that domain experts might opportunistically hide relevant information about the process. This can be the case if the process discovery project happens in a political environment where groups of process stakeholders have to fear loss of power, loss of influence, or loss of position.
- **Richness:** While interview-based and workshop-based discovery methods show some limitations in terms of objectivity, they are typically strong in providing rich insights into the process. Domain experts involved in interviews and workshops are a good source to clarify reasons and objectives for why a process is set up as it is. Evidence-based methods might show issues that need to be discussed and raise questions, but they often do not provide an answer. Talking to domain experts also offers a view into the history of the process and the surrounding organization. This is important for understanding which stakeholders have which agenda. Evidence-based discovery methods sometimes provide insight into strategic considerations about a process when they are documented in white papers, but they hardly allow conclusions about the personal agendas of the different stakeholders.
- **Time consumption:** Discovery methods differ in the amount of time they require. While documentation of a company and a particular process can be easily made available to a process analyst, it is much more time-consuming to conduct interviews and workshops. While interview-based discovery suffers from several feedback iterations, it is difficult to schedule workshops with various domain experts on short notice. Automatic process discovery often involves a significant amount of time for extracting, reformatting, and filtering of event logs. Passive observation also requires coordination and approval time. Therefore, it is a good idea to start with document analysis, since documentation can often be made accessible on short notice.
- **Immediacy of feedback:** Those methods that directly build on the conversation and interaction with domain experts are best for getting immediate feedback. Workshop-based discovery is best in this regard since inconsistent perceptions about the operation of a process can be directly resolved by the involved parties. Interviews offer the opportunity for asking questions whenever process-related aspects are unclear. However, not all issues can be directly resolved with a single domain expert. Evidence-based discovery methods raise various questions about how a process works. These questions can often only be answered by talking to domain experts.

Since each discovery method has strengths and limitations, it is recommended to utilize a mixture of them in a discovery project. The process analyst typically starts with documentation that is readily available. It is essential to organize the project in such a way that the information can be gathered from the relevant domain experts

in an efficient and effective way. Interviews and workshops have to be scheduled during the usual work time of domain experts. Therefore, they have to be motivated to participate and involved in such a way that it is the least time-consuming for them. Once issues arise about specific details of a process, it might be required to turn back to evidence-based discovery methods.

Exercise 5.7 In what situations is it simply not possible to use one or more of the described discovery methods?

5.3 Process Modeling Method

Modeling a process in the discovery phase is a complex task. Therefore, it is good to follow a predefined procedure in order to approach this task in a systematic way. One way to do so is to work in five stages, as follows:

1. Identify the process boundaries
2. Identify activities and events
3. Identify resources and their handovers
4. Identify the control flow
5. Identify additional elements

5.3.1 *Identify the Process Boundaries*

The identification of the process boundaries is essential for understanding the scope of the process. Part of this work might have been done already with the definition of a process architecture. Technically, this means we need to identify the events that trigger our processes and those that identify the possible process outcomes. For example, let us consider again the order fulfillment process that we modeled in Chap. 3. We observe that this process is triggered by the receipt of a purchase order from the customer, and completes with the fulfillment of the order as an outcome. These two events mark the boundaries of this process. Accordingly, we use a start message event and an end event in BPMN to represent them. If our process would have had negative outcomes, we would have modeled these via terminate end events.

5.3.2 *Identify Activities and Events*

The goal of the second step is to identify the main activities of the process. The advantage of starting with the activities is that domain experts will clearly be able to state what they are doing even if they are not aware of working as part of an overarching business process. Also documents might explicitly mention activities,

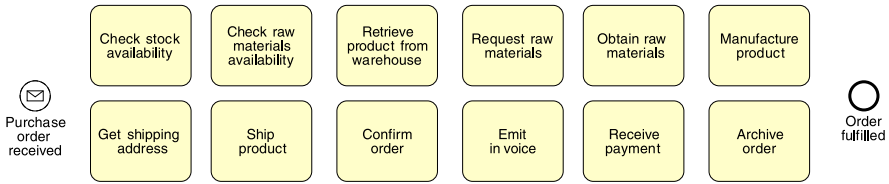


Fig. 5.1 The main activities and events of the order fulfillment process

for instance a set of work instructions. In the case of the order fulfillment process, this stage may lead to a set of activities for which the order and routing conditions are not yet defined. In this step, we also need to identify the events that occur during the process, which we will model with intermediate events. Figure 5.1 lists the 12 activities of our example.¹ Note that this initial set of activities and events may undergo revisions, e.g. more activities may be added as we add more details into our model. If the process is too complex, we suggest to focus on the main activities and events only at this stage, and add the others at a later stage when a deeper understanding of these elements and their relations has been gained.

5.3.3 Identify Resources and Their Handovers

Once we have defined the set of main activities and events, we can turn to the question of *who* is responsible for them. This information provides the basis for the definition of pools and lanes, and the assignment of activities and events to one of these pools and lanes. At this stage, the order of the activities is not defined yet. Therefore, it is a good step to first identify those points in the process where work is handed over from one resource to another, e.g. from one department to the other. These handover points are important since a participant being assigned a new task to perform, usually has to make assumptions about what has been completed before. Making these assumptions explicit is an essential step in process discovery. Figure 5.2 shows the set of activities and events of the order fulfillment process now being assigned to pools and lanes. The sequence flows indicate handover points. The handover points also help to identify parts of the process which can be studied in isolation from the rest. These parts can be refined into sub-processes with the help of the involved stakeholders. For example, in the order fulfillment process the acquisition of raw materials (cf. Fig. 4.19) could be handled in isolation from the rest of the process, since this part involves the suppliers and personnel from the warehouse & distribution department.

¹For simplicity, we only consider one supplier in this example, so for instance there is only one activity “Request raw materials” instead of “Request raw materials from Supplier 1” and “Request raw materials from Supplier 2”.

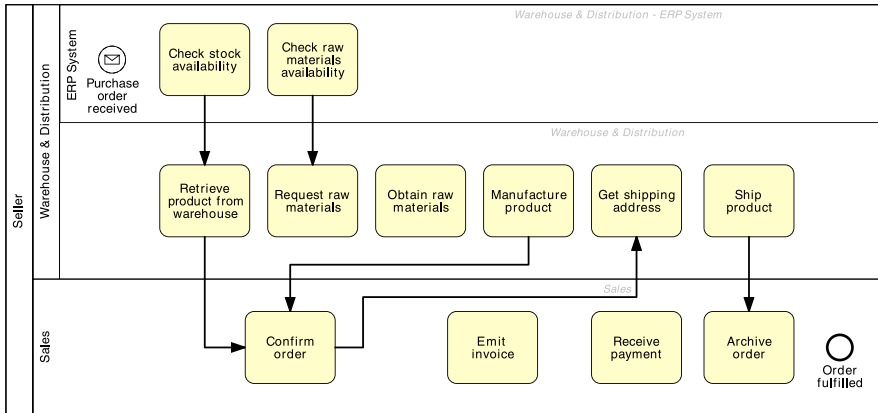


Fig. 5.2 The activities and events of the order fulfillment process assigned to pools and lanes

5.3.4 Identify the Control Flow

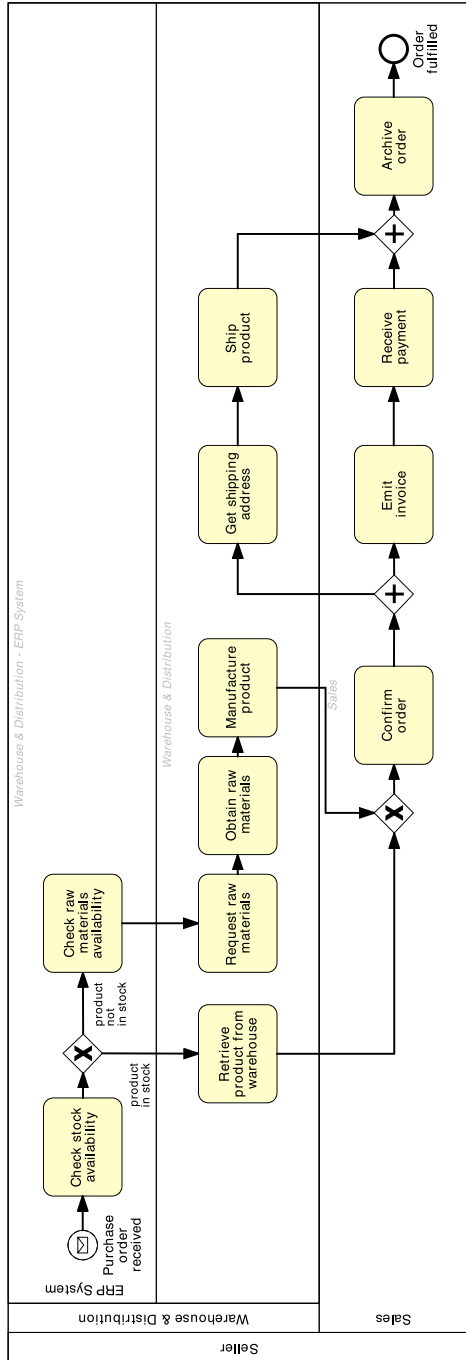
The handover points define an initial structure for the control flow. In essence, control flow relates to the questions of *when* and *why* activities and events are executed. Technically, we need to identify order dependencies, decision points, concurrent execution of activities and events and potential rework and repetition. Decision points require the addition of (X)OR-splits, and relevant conditions on the alternative sequence flows. Rework and repetition can be modeled with loop structures. Concurrent activities that can be executed independently from each other are linked to AND gateways. Event-based splits are used to react to decisions taken outside the process. If we have modeled more than one business party in the previous step via the use of multiple pools in this step we also need to capture the exchange of information between the various pools via message flows. Figure 5.3 shows how order constraints are captured by control-flow arcs in the order fulfillment process. Here we can see that the handovers that we identified in the previous step have now been refined in more elaborate dependencies.

Exercise 5.8 What is the relationship between the type of a gateway and the conditions of the subsequent arcs?

5.3.5 Identify Additional Elements

Finally, we can extend the model by capturing the involved artifacts and exception handlers. For the artifacts, this means adding data objects, data stores and their relations to activities and events via data associations. For the exception handlers, this means using boundary events, exception flows and compensation handlers. As we mentioned in Chaps. 3 and 4, the addition of data elements and exceptions, depends

Fig. 5.3 The control flow of the order fulfillment process



on the particular modeling purpose. For example, if the process is meant to be automated, it is desirable to explicitly capture data and exception aspects. In this step we may also add further annotations to help support specific application scenarios, for instance, if the model is used for risk analysis or for process cost estimation we may need to add risk and cost information. In general, which elements to be added depends upon the particular application scenario.

In this section we illustrated a method for constructing a business process model via a number of incremental steps. In a scenario where multiple business parties are involved, an alternative option is to start with a choreography diagram first, and then incrementally refine this diagram into a collaboration diagram. In this case, we use the choreography diagram to identify the resources first, and model each of them via a pool. Next, inside each pool we model those events and activities that handle handover of information between parties (i.e. send and receive activities, message and signal events); we can derive these elements from the activities of the choreography diagram. We can then continue with Step 2 of the above method by adding the other internal activities. Next, in Step 3 we model the inner resources within each party using lanes, and then continue with the rest of the method as normal.

5.4 Process Model Quality Assurance

Process discovery involves at least a process analyst and various domain experts. Since gathering information and organizing it in a process model is often done in a sequential way, and not simultaneously, there is a need for various steps of quality assurance. Here, we focus on syntactic, semantic and pragmatic quality. Figure 5.4 shows that verification is used to achieve syntactic quality, validation provides semantic quality, and certification ensures pragmatic quality. Modeling guidelines and conventions help to ensure a good quality right from the start.

5.4.1 Syntactic Quality and Verification

Process models constructed in process discovery projects typically have to adhere to syntactical rules and guidelines. *Syntactic quality* relates to the goal of producing a process model that conforms to these rules. First of all, this means that the content of the model should comply with the syntax as defined by the process modeling language in use. For instance, in BPMN it is not allowed to draw a sequence flow across the boundaries of pools. BPMN defines an extensive set of syntax rules. Following these rules helps to make sure that a process model can always be interpreted. Beyond that, many companies define *guidelines* in order to guarantee consistency and comparability of process models, which we will discuss below.

Verification essentially addresses formal properties of a model that can be checked without knowing the real-world process. In the context of process model

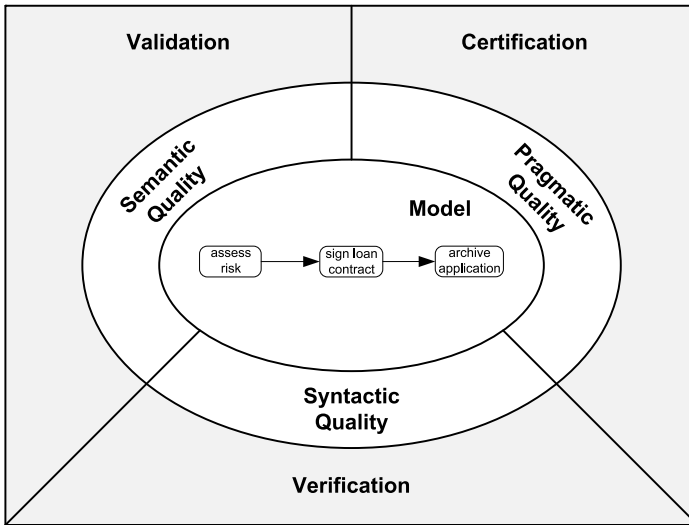


Fig. 5.4 Quality aspects and quality assurance activities

verification, structural and behavioral correctness can be distinguished. *Structural correctness* relates to the types of element that are used in the model and how they are connected. For instance, an activity should always have an incoming and an outgoing arc and every element should be on a path from a start event to an end event of the process model. Such properties can often be checked quite easily by inspecting the graph-based structure of the process model. *Behavioral correctness* relates to potential sequences of execution as defined by the process model. It is a general assumption that a case should never be able to reach a deadlock or a livelock. This is the case when the *soundness* property holds (see Chap. 3). Common sound and unsound process fragments are depicted in Fig. 5.5. Verification properties such as soundness can be checked after a process model is created. Alternatively, a process modeling tool can enforce that a model is correct by design. This can be achieved by allowing only edit operations on the model that preserve structural and behavioral correctness.

Exercise 5.9 Have a look at Fig. 5.5. Explain what exactly is going wrong in the unsound process model fragments.

5.4.2 Semantic Quality and Validation

Semantic quality relates to the goal of producing models that make true statements about the considered domain, either for existing as-is processes or future to-be processes. The particular challenge of a semantic quality assessment is that the process

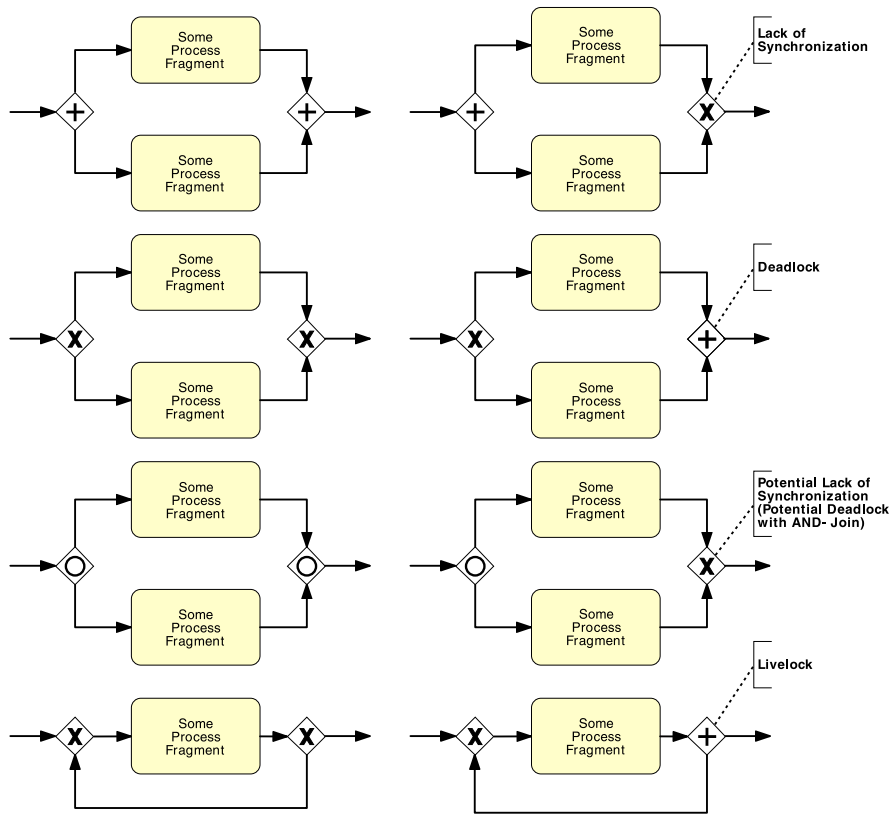


Fig. 5.5 Common sound and unsound process fragments

model has to be compared with the real-world domain of a particular business process. This means there is no set of formal rules that can be used to easily check semantic quality. Whether the process model at the center of Fig. 5.4 is of good semantic quality can only be assessed by talking to people involved in the process and by consulting documentation.

Validation deals with checking the semantic quality of a model by comparing it with the real-world business process. There are two essential aspects of semantic quality: validity and completeness indexCompleteness. *Validity* means that all statements included in the model are correct and relevant to the problem. Validity can be assessed by explaining domain experts how the processing is captured in the model. The domain expert is expected to point out any difference between what the model states and what is possible in reality. *Completeness* means that the model contains all relevant statements on a process that would be correct. Completeness is more difficult to assess. Here, the process analyst has to ask about various alternative processing options at different stages of the process. For example, the model in Fig. 5.3 is still missing all data elements and exception handlers. It is the job of

the process analyst to judge the relevance of these additional elements. This judgment has to be done against the background of the modeling objective, which the process analyst should be familiar with. Let us consider an example to understand the difference between validity and completeness. If the process model for loan assessments expresses that any financial officer may carry out the task of checking the credit history of a particular applicant while in practice this requires a specific authorization, the model has an issue with semantic quality (invalid statement). If the task of checking the credit history is omitted then it has a semantic problem due to incompleteness. Validation can be supported by techniques like simulation or interviews. Alternatively, there are tools that provide truthfulness by design. This is, for instance, achieved by building a process model from the logs of an information system, as we will see in Chap. 10. In practice, process models often require the *approval* from the process owner. This approval is a special validation step, since it again refers to the correctness and completeness of the process model. Beyond that, the approval of the process owner establishes the normative character of the process model at hand. As a consequence, the process model can now be archived, published or used as an input for process redesign.

5.4.3 Pragmatic Quality and Certification

Pragmatic quality relates to the goal of building a process model of good usability. The particular challenge of pragmatic quality assessment is to prognosticate the actual usage of a process model beforehand. Accordingly, this aspect very much focuses on how people interact with a model. Whether the process model at the center of Fig. 5.4 is of good pragmatic quality can, for instance, be checked by testing how well a user understands the content of the model.

Certification is the activity of checking the pragmatic quality of a process model by investigating its usage. There are several aspects of usability including understandability, maintainability, and learning. *Understandability* relates to the fact how easy it is to read a specific process model. *Maintainability* points to the ease of applying changes to a process model. *Learning* relates to the degree of how good a process model reveals how a business process works in reality. There are several characteristics of a model that influence usability including its size, its structural complexity, and its graphical layout. Certification can be conducted using user interviews or user experiments. Alternatively, there are rules that strive to provide usability by design. This can be achieved, for instance, by following design rules on the structure of the process model. There are two essential checks for understanding, maintainability and learning. The first one relates to the consistency between visual structure and logical structure. Figure 5.6 and Fig. 5.7 show the same fragment of the order fulfillment process model. The second model is a rework of the first one in terms of layout. Here, the element positions have been changed with the aim to improve the consistency between visual structure and logical structure. The second check is concerned with meaningful labels. It is important that activities and other

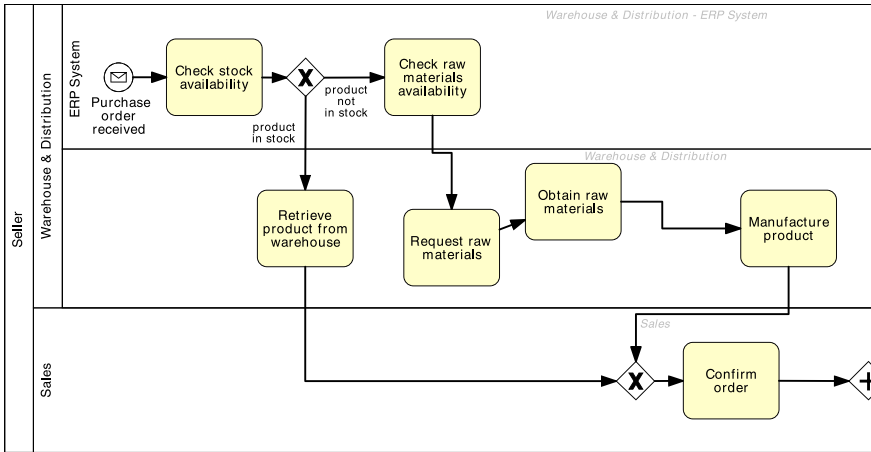


Fig. 5.6 Extract of the order fulfillment process model with bad layout

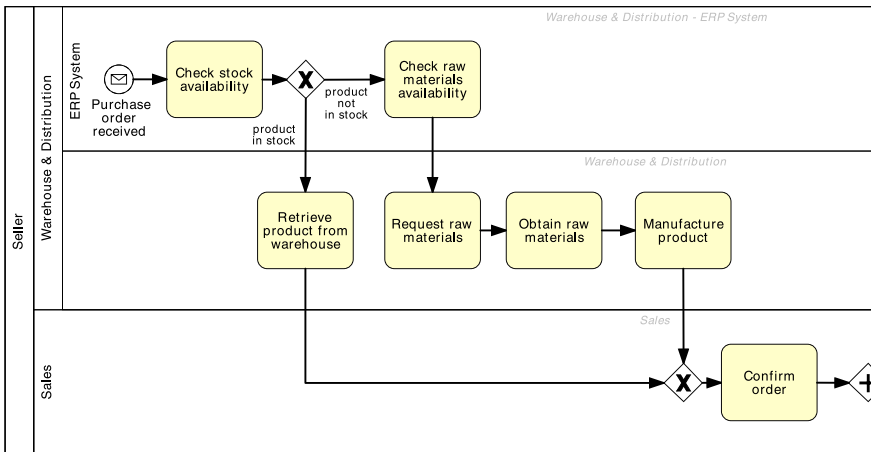


Fig. 5.7 Extract of the order fulfillment process model with good layout

elements have labels that follow specific naming conventions, as those presented in Sect. 3.1.

5.4.4 Modeling Guidelines and Conventions

Modeling guidelines and conventions are an important tool for safeguarding model consistency and integrity for bigger modeling initiatives with several people involved. The goals of such guidelines and conventions are to increase readability

and comparability in order to facilitate efficient model analysis. A guideline document typically covers naming conventions for processes, tasks and events, modeling conventions for layout and usage of tasks, events, lanes and pools, and a restriction of the set of elements. *Naming conventions* usually recommend or enforce the verb-object style for labeling of activities and suitable styles for other elements as discussed in Sect. 3.1. Too technical and too generic verbs should be avoided. *Modeling conventions* define element usage and layout. Layout for BPMN models is typically defined with a horizontal orientation. Usage of pools may be enforced for each model along with corresponding message flow. The detail of how start and end events are captured can be specified as well. All the conventions often come along with rules how to capitalize or what to reference in the elements names, e.g. using a glossary. Finally, *restrictions* can be defined in order to simplify the set of elements of BPMN. Such restrictions are recommended to increase understanding of models also by non-expert users.

One set of guidelines that has recently been proposed are the so-called Seven Process Modeling Guidelines (*7PMG*). This set was developed as an amalgamation of the insights that were derived from available research. Specifically, the analysis of large sets of process models by various researchers have identified many syntactical errors as well as complex structures that inhibited their interpretation. The guidelines that are part of *7PMG* are helpful in guiding users towards mitigating such problems. The guidelines are as follows:

- G1: Use as few elements in the model as possible. The size of a process model has undesirable effects on the understanding of process model and the likelihood of syntactical errors. Studies have shown that larger models tend to be more difficult to understand and have a higher error rate.
- G2: Minimize the routing paths per element. For each element in a process model, it is possible to determine the number of incoming and outgoing arcs. This summed figure gives an idea of the routing paths through such an element. A high number makes it harder to understand the model. Also, the number of syntactical errors in a model seems strongly correlated to the use of model elements with high numbers of routing paths.
- G3: Use one start and one end event. Empirical studies have established that the number of start and end events is positively connected with an increase in error probability. Models satisfying this requirement are easier to understand and allow for all kinds of formal analysis.
- G4: Model as structured as possible. A process model is structured if each split gateway matches a respective join gateway of the same type. Block-structured models can be seen as formulas with balanced brackets, i.e., every opening bracket has a corresponding closing bracket of the same type. Unstructured models are not only more likely to include errors, people also tend to understand them less easily. Nonetheless, as discussed in Chap. 4.3, it is sometimes not possible or not desirable to turn an unstructured process model fragment (e.g. an unstructured cycle) into a structured one. This is why this guideline states “as structured as possible”.

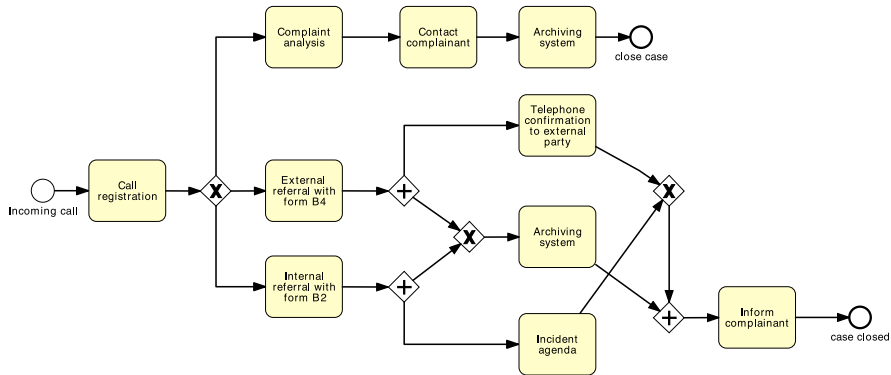


Fig. 5.8 A complaint handling process as found in practice

- G5: Avoid OR-gateways. Models that have only AND-gateways and XOR-gateways are less error-prone. This empirical finding is apparently related to the fact that the combinations of choices represented by an OR-split are more difficult to grasp than behavior captured by other gateways.
- G6: Use verb-object activity labels. A wide exploration of labeling styles that are used in actual process models, discloses the existence of a number of popular styles. From these, people consider the verb-object style, like “Inform complainant”, as significantly less ambiguous and more useful than action-noun labels (e.g. “Complaint analysis”) or labels that follow neither of these styles (e.g. “Incident agenda”).
- G7: Decompose a model with more than 30 elements. This guideline relates to G1 that is motivated by a positive correlation between size and errors. For models with a more than 30 elements the error probability tends to climb sharply. Therefore, large models should be split up into smaller models. For example, large sub-components with a single entry and a single exit can be replaced by one activity that points to the original sub-component as a sub-process.

The need for guidelines like 7PMG is emphasized by the structure of process models we have seen in practice. Figure 5.8 shows a simplified version of a complaint handling process model of one of our industry partners. A complaint is triggered by a phone call by a complaining customer. It is decided whether the complaint can be handled or whether it has to be referred to an internal or external party. An external referral leads to a telephone confirmation to the external party. An internal referral is added to the incident agenda. If no referral is needed, a complaint analysis is conducted and the complainant is contacted. In either case, the complaint is archived and the case is closed.

Exercise 5.10 Consider the process model of Fig. 5.8. Explain which 7PMG guidelines point to potential for improvement. Remodel the process based on your observations.

The 7PMG are but one of the available sets of modeling guidelines. Moreover, it is a tentative set in the sense that research in the area of process model quality is rapidly developing. Many of its guidelines are already applied in practice and have been discussed as state-of-the-art at previous places in this book. For example, in Sect. 3.1 the beneficial verb-object labeling convention was already mentioned. Also, the threshold to start decomposing process models as in guideline G7 was discussed in Sect. 4.1. What is special about the 7PMG is that these guidelines have a strong empirical basis and, as such, transcend the knowledge of individual modelers. As insights develop further, it seems both likely and favorable that the set will be updated and expanded.

5.5 Recap

This chapter described how to proceed in the different phases of process discovery. In essence, we defined four stages of process discovery, namely defining the setting of process discovery, applying different discovery methods for gathering information about the process, stepwise modeling the process, and finally addressing different aspects of quality assurance.

The definition of the setting of process discovery has to take into account the different characteristics and complementary skills of process analysts and domain experts. While process analysts are skilled in analyzing and modeling processes, they often lack detailed domain knowledge. In contrast, domain experts have typically limited modeling skills, but detailed understanding of the part of the process they are involved with. This implies three challenges of process discovery. First, different domain experts have an understanding of only a part of the process. Different partial views have to be integrated in process discovery. Second, domain experts tend to think in cases and not on the general process level. The process analyst has to abstract from these cases. Third, domain experts often have difficulties in understanding process models. Therefore, the process analyst has to guide the domain expert in reading the model for getting feedback.

Different methods of process discovery can be used ranging from evidence-based methods to interviews and workshops. Evidence-based methods typically provide the most objective insight into the execution of the process. However, the immediacy of feedback is low and the richness of the insight can be mediocre. Interviews can be biased towards the perspective or opinion of the interview partner, but reveal rich details of the process. The interview situation offers the chance of direct feedback and clarification. Workshops can help to immediately resolve inconsistent perspectives of different domain experts. On the downside, it is difficult to have all required domain experts synchronously joining. It is recommended to utilize a mixture of the methods that reflects the specifics of the discovery project.

We then defined a process modeling method including six steps. First, the boundaries of the process have to be defined in terms of start and end events. Second, the essential activities of the process have to be identified. Subsequently, we need to determine the handovers between different persons and departments. Once that aspect

is clarified, we can sketch out the details of the control flow. Then, routing conditions and intermediate events have to be added. Finally, additional perspectives and annotations can be included.

In the last sections of this chapter, we discussed different measures of quality assurance. First, we emphasized verification as a tool for assuring syntactical correctness. Then, we discussed how validation helps to establish semantic quality. Finally, we presented different aspects of pragmatic quality and described how they can be certified.

5.6 Solutions to Exercises

Solution 5.1 In case you are supposed to map the process of signing a rental contract in your city, it is likely that you have some experience with this process, either from renting a flat yourself, or from stories from your friends, or from you or your friends giving a flat for rent. Assuming you have already studied the chapters on process modeling, you have both domain expertise and process modeling expertise. This is an uncommon situation. Most often, you face situations like mapping the process of getting a license plate for your car in Liechtenstein as a foreign resident. This is a process for which you would unlikely have domain knowledge. Process discovery typically brings you as a process analyst into an environment that you do not know in detail beforehand. Process discovery is concerned with understanding the process under consideration and also the domain surrounding it.

Solution 5.2 An advantage of having teams modeling processes themselves is first that a lot of process models can be created in a short span of time. It is critical though that these teams possess the required skills in process modeling. According to the third challenge of process discovery, domain experts typically do not have process modeling skills and feel uncomfortable with the modeling task. Furthermore, domain experts often think in cases (second challenge) and lack the process perspective to generalize. Finally, there is the risk that the results from such a modeling initiative might be fragmented and difficult to integrate. It is typically the responsibility of the process analyst to integrate the fragmented perspectives.

Solution 5.3 Domain knowledge can be very helpful for analyzing processes. It helps to ask the right questions and to build analogies from prior experience. On the other hand, the skills of an experienced process analyst should not be underestimated. These skills are domain-independent and relate to how a process discovery project can be organized. Experienced process analysts are typically very skilled in scoping and driving a project into the right direction. They possess problem-solving skills for handling various critical situations of a process discovery project. There is clearly a trade-off between the two sets of skills. It should be ensured that a certain level of process analysis experience is available. If that is not the case for the applying domain expert, the process analyst might be preferred.

Solution 5.4 As a customer, we would have to rely mostly on evidence-based process discovery. We can place exemplary orders and study the different processing options for them. In relation to these placed orders, we could also contact the customer help desk and inquire details of the process that we cannot directly observe. If we were assigned to a process discovery project by the process owner, we would get access to the domain experts within the company. In this case, we could also use interviews and workshop-based discovery methods.

Solution 5.5 This process contains ten major activities that are executed by different persons. We can assume that there will be a kickoff meeting with the process owner and some important domain experts on day one. One day might be required to study available documentation. An interview with one domain expert can take from two to three hours, such that we would be able to meet two persons per day, and document the interview results at night time. Let us assume that we meet some persons only once while we seek feedback from important domain experts in two additional interviews. Then, there would be a final approval from the process owner. This adds up to one day for the kickoff, one for document study, five days for the first iteration interviews, and further five days if we assume that we meet five experts three times. Then, we need one day for preparing the meeting for final approval with the process owner, which would be on the following day. If there are no delays and scheduling problems, this yields $2 + 5 + 5 + 2 = 14$ work days as a minimum.

Solution 5.6 Before starting with process discovery, it is important to understand the culture and the sentiment of an organization. There are companies that preach and practice an open culture in which all employee are encouraged to utter their ideas and their criticism. Such organizations can benefit a lot from workshops as participants are likely to present their ideas freely. In strictly hierarchical organizations, it is necessary to take special care that every participant gets an equal share of parole in a workshop and that ideas and critique are not hold back. It might be the case that the young dynamic company has a more open culture than the company with extensive health and security regulations. This has to be taken into account when organizing a workshop.

Solution 5.7 There are various circumstances that may restrict the application of different discovery methods. Direct observation may not be possible if the process partially runs in a remote or dangerous environment. For instance, the discovery of a process of an oil-producing company for pumping oil from an oil rig to a ship might belong to this category. Then, there might be cases where documentation does not exist, for example when a startup company, which has gone through a period of rapid growth wants to structure its purchasing process. Lack of input may also be a problem for automatic process discovery based on event log data. If the process under consideration is not yet supported by information systems, then there are no data available for conducting automatic process discovery. In general, interviews are always possible. It might still be a problem though to gain commitment of domain experts for an interview. This is typically the case when the process discovery

project is subject to company-internal politics and hidden agendas. Workshop-based discovery can be critical in companies with strong hierarchy which have a culture of suppressing creative thinking of their staff.

Solution 5.8 The type of the gateway has to be consistent with the conditions of the subsequent arcs. If there is an XOR-split, then the conditions on the arcs have to be mutually exclusive. If there is an OR-split, then the conditions can be non-exclusive. If an AND-split is used, there should be no conditions on the arcs.

Solution 5.9 Four unsound fragments are shown with the following problems:

- The lack of synchronization relates to an AND-split followed by an XOR-join. In this case, the two tokens created from the AND-split are not synchronized XOR-join, potentially leading to the duplicate execution of activities downstream.
- A deadlock occurs, for instance, if an XOR-split is followed by an AND-join. As the XOR-split creates a token only on one of its outgoing arcs, the AND-join requiring a token on each of its incoming arcs gets stuck waiting for a second token to arrive.
- In case there is an OR-split followed by an XOR-join, we potentially get a lack of synchronization. This depends upon the conditions of the OR-split. If only one token is generated from it, the process can proceed correctly. If multiple tokens are generated, there is a lack of synchronization. In the same vein, there is a potential deadlock if the OR-split is followed by an AND-join.
- A livelock can occur in an inappropriate loop structure. Here, there is an XOR-join used as an entry to a loop, but the loop exit is modeled with an AND-split. This has the consequence that it is never possible to leave the loop. Each time the AND-split is reached, it creates one token exiting the loop, but also another token that stays within the loop.

Solution 5.10 The process model reveals several problems. Several elements with the same name are shown twice (end event and archiving activity), therefore G1 is violated. Also the control structure is very complicated, violating G4 asking for a

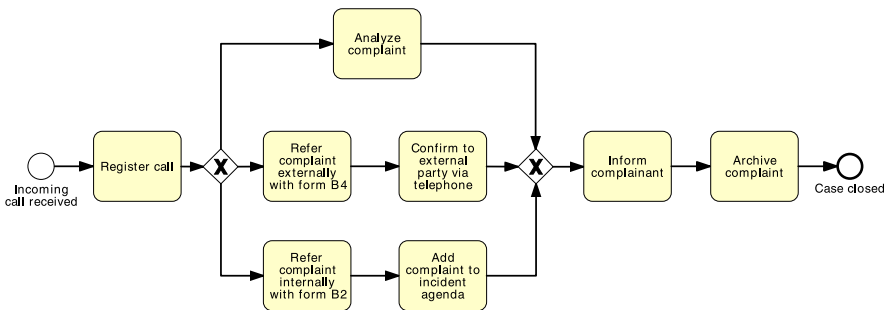


Fig. 5.9 The complaint handling process reworked

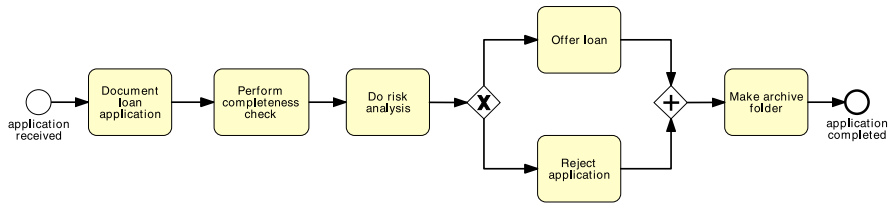


Fig. 5.10 A loan application process

structured model. Finally, several activities do not follow the naming conventions of G6. The model can be reworked and simplified to the one shown in Fig. 5.9.

5.7 Further Exercises

Exercise 5.11 Imagine you are responsible for the human resources department of a leading consultancy. Which characteristics would you check when hiring new process analysts?

Exercise 5.12 As responsible for human resources department of a consultancy, how would you develop the skills of your junior process analysts?

Exercise 5.13 How would you as a process analyst prepare for an interview with a domain expert?

Exercise 5.14 Analyze the loan application process model of Fig. 5.10 for soundness-related problems.

Exercise 5.15 Look up tools on the internet that offer a soundness check for process models.

Exercise 5.16 Consider again the loan application process model of Fig. 5.10. What are indications that it would not be complete?

Exercise 5.17 Have a look at the activity labels of the loan application model of Fig. 5.10 and propose improved labels where appropriate.

Exercise 5.18 Have a look at the process model of Fig. 5.10 showing a sales campaign process for one of our industry partners. Describe which 7PMG guidelines can be used to improve this model. Have a look at the process model of Fig. 5.11 showing a sales campaign process for one of our industry partners

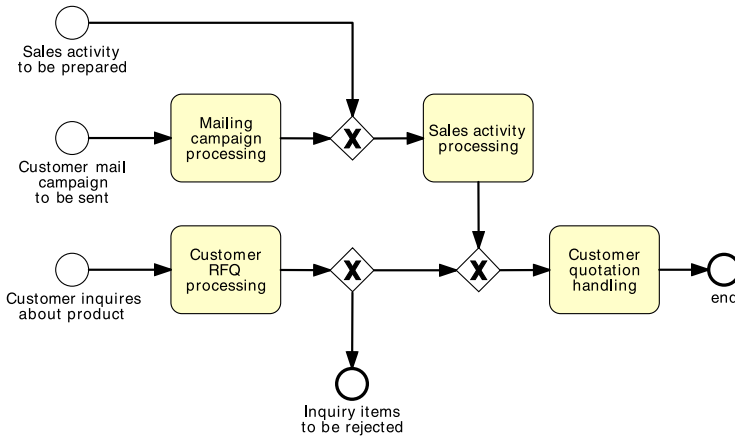


Fig. 5.11 A sales campaign process

5.8 Further Reading

The general topic of process discovery is well covered in the book on workflow modeling by Sharp and McDermott [86]. This book gives detailed advice on all phases of process discovery, specifically data gathering and workshop organization. Other practical advice is summarized by Verner [101] and by Stirna, Persson, and Sandkuhl [88]. Interview techniques are widely discussed as a social science research method for instance in the book by Berg and Lune [7] or the book by Seidman [85].

Frederiks and van der Weide [18] discuss the skills required from process analysts, particularly when engaging in process discovery efforts. In a similar vein, Schenk, Vitalari and Davis [83] and Petre [66] discuss the capabilities that expert process analysts (as opposed to novice ones) generally display when engaging in process discovery.

In this chapter, we emphasized “manual” process discovery techniques, wherein process models are manually constructed based on data collected from various process stakeholders by means of interviews, workshops and related techniques. As mentioned in Sect. 5.2.1, there is also a whole range of complementary techniques for automatic discovery process models from event logs. These automatic process discovery techniques are part of a broader set of techniques for analyzing event logs, collectively known as process mining [94]. We will discuss several process mining techniques later in Chap. 10.

The modeling method introduced in Sect. 5.3 revolves around the discovery of activities and control-flow relations between activities. This family of approaches is usually called *activity-based modeling* [68]. An alternative approach to process modeling is known as *artifact-centric modeling* [59] or *object-centric modeling* [68]. In artifact-centric modeling the emphasis is not on identifying activities, but rather *artifacts* (physical or electronic objects or documents) that are manipulated within a given process. For example, in an order-to-cash process, typical

artifacts are the purchase order, the shipment notice and the invoice. Once these artifacts have been identified, they are analyzed in terms of the data that they hold and in terms of the phases they go through during the process. For example, a purchase order typically goes through the phases *received*, *accepted*, *manufactured*, *shipped* and *invoiced*. These phases and the transitions between these phases are called the artifact lifecycle. The main emphasis in artifact-centric process modeling is put on identifying these artifact lifecycles. Several industrial applications of artifact-centric process modeling have shown that it is quite suitable when discovering processes that exhibit significant amounts of variation, for example variation between business units, geographical regions or types of customer as discussed for example by Caswell et al. [59] and Redding et al. [68].

The quality of conceptual models in general, and of process models specifically, has received extensive attention in the research literature. The Sequal framework introduced by Lindland, Sindre, and Sølvyberg adapts semiotic theory, namely the three perspectives of syntax, semantics and pragmatics, to the evaluation of conceptual model quality [45]. An extended version of this framework is presented by Krogstie, Sindre, and Jørgensen [42].

Validation and verification of process models has also received extensive attention in the literature. Mendling [51] for example provides numerous pointers to related research. The verification of Workflow nets specifically is investigated by van der Aalst [93] who connects soundness analysis of process models with classical Petri nets notions of liveness and boundedness.

The 7PMG guidelines discussed in Sect. 5.4.4 are by Mendling, Reijers, and van der Aalst in [53]. These guidelines build on empirical work on the relation between process model metrics on the one hand and error probability and understandability on the other hand [50, 54, 55, 63, 73, 74]. Specifically, the impact of activity label quality on process model understanding is investigated by Mendling, Reijers, and Recker [52]. Another set of modeling guidelines are the Guidelines of Process Modeling by Becker et al. [5].

As a complement to process modeling guidelines and conventions, it is useful to also keep in mind potential pitfalls to be avoided in process modeling projects. For example, Rosemann [78, 79] draws a list of 22 pitfalls of process modeling, including a potential lack of strategic connection, *l'art pour l'art*, to name but a few. His bottom line is that modeling success does not directly equate with process success.

Chapter 6

Qualitative Process Analysis

Quality is free, but only to those who are willing to pay heavily for it.

Tom DeMarco (1940–)

Analyzing business processes is both an art and a science. In this respect, qualitative analysis is the artistic side of process analysis. Like fine arts, such as painting, there is not a single way of producing a good process analysis, but rather a range of principles and techniques that tell us what practices typically lead to a “good” process analysis. When learning to paint, you learn how to hold the brush, how to produce different types of brushstroke, how to mix colors, etc. The rest of the art of painting is up to you to acquire by means of practice, discernment and critical self-assessment.

In this chapter, we introduce a few basic principles and techniques for qualitative process analysis. First, we present principles aimed at making the process leaner by identifying unnecessary parts of the process in view of their elimination. Next, we present techniques to identify and analyze the weak parts of the process, meaning the parts that create issues that negatively affect the performance of the process. In particular, we discuss how to analyze the impact of issues in order to prioritize redesign efforts.

6.1 Value-Added Analysis

Value-added analysis typically consists of two stages: value classification and waste elimination. Below we discuss each of these stages in turn.

6.1.1 Value Classification

Value-added analysis is a technique aimed at identifying unnecessary steps in a process in view of eliminating them. In this context, a *step* may be a task in the process, or part of a task, or a handover between two tasks. For example, if a task “Check

purchase order” ends with the Purchase Order (PO) being sent by internal mail to a supervisor, and the next task “Approve purchase order” starts when the supervisor receives and checks the PO, then we can say that the transportation of the PO via internal mail is a step—a potentially unnecessary (non-value-adding) step in this context. It is often the case that one task involves several steps. For example, a task “Check invoice” may involve the following steps:

1. Retrieve the PO(s) that corresponds to the invoice.
2. Check that the amounts in the invoice and those in the PO coincide.
3. Check that the products or services referenced in the PO have been delivered.
4. Check that the supplier’s name and banking details in the invoice coincide with those recorded in the Supplier Management System.

In some cases, steps within a task are documented in the form of checklists. The checklists tell the process participants what things need to be in place before a task is considered to be complete. If detailed checklists are available, the process analyst can use them to decompose tasks into steps. Unfortunately, such checklists are not always available. In many cases, process participants have an implicit understanding of the steps in a task because they perform the task day in and day out. But this implicit understanding is not documented anywhere. In the absence of such documentation, the process analyst needs to decompose each task into steps by means of observation and interviewing.

Having decomposed the process into steps, a second prerequisite for value-added analysis is to identify who is the customer of the process and what are the positive outcomes that the customer seeks from the process (cf. Sect. 1.2). These outcomes are said to add value to the customer, in the sense that fulfilling these outcomes is in the interest or for the benefit of the customers.

Having decomposed the process into steps and having clearly identified the positive outcomes of a process, we can then analyze each step in terms of the value it adds. Steps that directly contribute to positive outcomes are called *value-adding steps*. For example, consider a process for repairing a washing machine or other domestic appliance. The steps in this process where the technician diagnoses the problem with the machine are clearly value-adding, as it directly contributes to the outcome the customer wishes to see, that is, that the machine is repaired. Also, the steps related to repairing the machine are value-adding.

Some steps do not directly add value to the customer but they are necessary for the business. Consider again the example of a process for repairing a washing machine. Imagine that this process includes a step “Record defect” in which the technician enters data about the washing machine and an explanation of the defect found in a washing machine into an information system. This step per se is not value-adding for the customer. The customer wishes the machine to be fixed and does not get value by the fact that the defect in their machine was recorded in an information system of the repairing company. However, recording defects and their resolution helps the company to build up a knowledge base of typical defects and their resolution. This knowledge base is extremely valuable when new technicians are recruited in the company, since they can learn from knowledge that more experienced technicians have recorded. Also, such information allows the company to

detect frequent defects and to report such defects to the manufacturer or distributor of the washing machine. Steps such as “Record defect” are termed *business value-adding steps*, in the sense that the customer is not willing to pay for the performance of these steps nor do they gain satisfaction from these steps being performed (so the steps are not value-adding) but the step is necessary or useful to the company that performs the process.

In summary, value-added analysis is a technique whereby an analyst decorticates a process model, extracts every step in the process and classifies these steps into one of three categories, namely:

- Value-adding (VA): This is a step that produces value or satisfaction vis-à-vis of the customer. When determining whether or not a step is value-adding, it may help to ask the following question: Would the customer be willing to pay for this activity?
- Business value-adding (BVA): The step is necessary or useful for the business to run smoothly, or it is required due to the regulatory environment of the business.
- Non-value adding (NVA): The step does not fall into any of the other two categories.

Example 6.1 We consider the process for equipment rental described in Example 1.1 (p. 2). As discussed in Sect. 1.2, the customer of this process is the site engineer who submits an equipment rental request. From the perspective of the site engineer, the positive outcome of the process is that the required piece of equipment is available in the construction site when needed. Let us analyze the fragment of this process described in Fig. 1.6. To identify the relevant steps, we will decorticate the model task by task. While we do this, we will also classify the steps into VA, BVA and NVA.

- The first task in the process model is the one where the engineer lodges the request. From the description in Example 1.1, we observe there are three steps in this task:
 1. Site engineer fills in the request.
 2. Site engineer sends the request to the clerk via e-mail (handover step).
 3. Clerk opens and reads the request (handover step).

Arguably, filling the request is value-adding insofar as the site engineer cannot expect the equipment to be rented if they do not ask for it. In one way or another, the site engineer has to request the equipment in order to obtain it. On the other hand, the site engineer does not get value out of sending the request to the clerk by e-mail nor do they get value out of the clerk having to open and read the request. More generally, handover steps between process participants, such as sending and receiving internal messages, are not value-adding.

- The second task is the one where the clerk selects a suitable equipment from the supplier’s catalog. We can treat this task as a single step. This step is value-adding insofar as it contributes to identifying a suitable equipment to fulfill the needs of the site engineer.

- In the third task, the clerk calls the supplier to check the availability of the selected equipment. Again, we can treat this task as a single step. This step is value-adding insofar as it contributes to identifying a suitable and available equipment. If the equipment is available, the clerk will recommend that this equipment be rented. To this end, the clerk adds the details of the recommended equipment and supplier to the rental request form and forwards the form to the works engineer for approval. Thus we have two more steps: (i) adding the details to the rental request and (ii) forwarding the rental request to the works engineer. The first of these steps is business value-adding since it helps the company to keep track of the equipment they rent and the suppliers they rent from. Maintaining this information is valuable when it comes to negotiating or re-negotiating bulk agreements with suppliers. The handover between the clerk and the works engineer is not value-adding.
- Next, the works engineer examines the rental request in view of approving it or rejecting it. We can treat this examination as one step. This step is a *control step*, that is, a step where a process participant or a software application checks that something has been done correctly. In this case, this control step helps the company to ensure that equipment is only rented when it is needed and that the expenditure for equipment rental in a given construction project stays within the project's budget. Control steps are generally business value-adding, although an analyst may ask the question of how many control steps are needed and how often they should be performed.
- If the works engineer has an issue with the rental request, the works engineer communicates it to the clerk or the site engineer. This communication is another step and it is business value-adding since it contributes to identifying and avoiding misunderstandings within the company. If approved, the request is sent back to the clerk; this is a handover step and it is thus non-value-adding.
- Finally, assuming the request is approved, the clerk produces and sends the PO. Here we can identify two more steps: produce the PO and send the PO to the corresponding supplier. Producing the PO is business value-adding. It is necessary in order to ensure that the rental request cost is correctly accounted for and eventually paid for. Sending the PO is value-adding: It is this act that makes the supplier know when the equipment has to be delivered on a given date. If the supplier did not get this information, the equipment would not be delivered. Note, however, that what is value-adding is the fact that the supplier is explicitly requested by the construction company to deliver the equipment on a given date. The fact that this request is made by sending a PO is secondary in terms of adding value to the site engineer.

The identified steps and their classification are summarized in Table 6.1.

Classifying steps into VA, BVA and NVA is to some extent subjective and depends on the context. For example, one may question whether producing the PO is a VA or a BVA step. Arguably, in order for the equipment to be available, the supplier needs to have an assurance that the equipment rental fee will be paid. So one could say that the production of the PO contributes to the rental of the equipment

Table 6.1 Classification of steps in the equipment rental process

Step	Performer	Classification
Fill request	Site engineer	VA
Send request to clerk	Site engineer	NVA
Open and read request	Clerk	NVA
Select suitable equipment	Clerk	VA
Check equipment availability	Clerk	VA
Record recommended equipment & supplier	Clerk	VA
Forward request to works engineer	Clerk	VA
Open and examine request	Works engineer	BVA
Communicate issues	Works engineer	BVA
Forward request back to clerk	Works engineer	NVA
Produce PO	Clerk	BVA
Send PO to supplier	Clerk	BVA

since the PO serves to assure the supplier that the payment for the rental equipment will be made. However, as mentioned above, what adds value to the site engineer is the fact that the supplier is notified that the equipment should be delivered at the required date. Whether this notification is done by means of a PO or by means of a simple electronic message sent to the supplier is irrelevant, so long as the equipment is delivered. Thus, producing a formal document (a formal PO) is arguably not value-adding. It is rather a mechanism to ensure that the construction company's financial processes run smoothly and to avoid disputes with suppliers, e.g. avoiding the situation where a supplier delivers a piece of equipment that is not needed and then asks for payment of the rental fee. More generally, we will take the convention that steps imposed by accounting or legal requirements are BVA, even though one could argue differently in some cases.

Exercise 6.1 Consider the process for university admission described in Exercise 1.1 (p. 4). What steps can you extract from this process? Classify these steps into VA, BVA and NVA.

6.1.2 Waste Elimination

Having identified and classified the steps of the process as discussed above, one can then proceed to determining how to eliminate waste. A general rule is that one should strive to minimize or eliminate NVA steps. Some NVA steps can be eliminated by means of automation. This is the case of handovers for example, which can be eliminated by putting in place an information system that allows all stakeholders to know what they need to do in order to move forward the rental requests. When

the site engineer submits a rental request via this information system, the request would automatically appear in the to-do list of the clerk. Similarly, when the clerk records the recommended supplier and equipment, the works engineer would be notified and directed to the request. This form of automation makes these NVA steps transparent to the performers of the steps. The topic of process automation will be discussed in further detail in Chap. 9.

A more radical approach to eliminating NVA steps in the working example is to eliminate the clerk altogether from the process. This means moving some of the work to the site engineer so that there are less handovers in the process. Of course, the consequences of this change in terms of added workload to the site engineer need to be carefully considered. Yet another approach to eliminate NVA (and BVA) steps would be to eliminate the need for approval of rental requests in cases where the estimated cost is below a certain threshold. Again, this option should be weighted against the possible consequences of having less control steps in place. In particular, if the site engineers were given full discretion to rent equipment at their own will, there would need to be a mechanism in place to make them accountable in case they rent unnecessary equipment or they rent equipment for excessively and unnecessarily long periods. Such process redesign questions will be further discussed in Chap. 8.

While elimination of NVA steps is generally considered a desirable goal, elimination of BVA steps should be considered as a trade-off given that BVA steps play a role in the business. Prior to eliminating BVA steps, one should first map BVA steps to business goals and business requirements, such as regulations that the company must comply to and risks that the company seeks to minimize. Given a mapping between BVA steps on the one hand and business goals and requirements on the other, the question then becomes the following: What is the minimum amount of work required in order to perform the process to the satisfaction of the customer, while fulfilling the goals and requirements associated to the BVA steps in the process? The answer to this question is a starting point for process redesign.

6.2 Root Cause Analysis

When analyzing a business process, it is worth keeping in mind that “even a good process can be made better” [28]. Experience shows that any non-trivial business process, no matter how much improvement it has undergone, suffers from a number of issues. There are always errors, misunderstandings, incidents, unnecessary steps and other forms of waste when a business process is performed on a day-to-day basis.

Part of the job of a process analyst is to identify and to document the *issues* that plague a process. To this end, an analyst will typically gather data from multiple sources and will interview several stakeholders, chiefly the process participants but also the process owner and managers of organizational units involved in the process. Each stakeholder has a different view on the process and will naturally have a tendency to raise issues from their own perspective. The same issue may be perceived

differently by two stakeholders. For example, an executive manager or a process owner will typically see issues in terms of performance objectives not being met or in terms of constraints imposed for example by external pressures (e.g. regulatory or compliance issues). Meanwhile, process participants might complain about insufficient resources, hectic timelines as well as errors or exceptions perceived to be caused by other process participants or by customers.

Root cause analysis is a family of techniques to help analysts identify and understand the root cause(s) of problems or undesirable events. Root cause analysis is not confined to business process analysis. In fact, root cause analysis is commonly used in the context of accident or incident analysis as well as in manufacturing processes where it is used to understand the root cause of defects in a product. In the context of business process analysis, root cause analysis is helpful to identify and to understand the issues that prevent a process from having a better performance.

Root cause analysis encompasses a variety of techniques. In general, these methods include guidelines for interviewing and conducting workshops with relevant stakeholders, as well as techniques to organize and to document the ideas generated during these interviews or workshops. Below, we will discuss two of these techniques, namely *cause-and-effect diagrams* and *why-why diagrams*.

6.2.1 Cause–Effect Diagrams

Cause–effect diagrams depict the relationship between a given *negative effect* and its causes. In the context of process analysis, a negative effect is usually either a recurrent issue or an undesirable level of process performance. Causes can be divided into causal and contributing factors (hereby called *factors*) as explained in the box below.

CAUSAL VERSUS CONTRIBUTING FACTORS

Two broad types of cause are generally distinguished in the area of root cause analysis, namely *causal factors* and *contributing factors*. Causal factors are those factors that, if corrected, eliminated or avoided would prevent the issue from occurring in future. For example, in the context of an insurance claims handling process, errors in the estimation of damages lead to incorrect claim assessments. If the damage estimation errors were eliminated, a number of occurrences of the issue “Incorrect claim assessment” would definitely be prevented. Contributing factors are those that set the stage for, or that increase the chances of a given issue occurring. For example, consider the case where the user interface for lodging the insurance claims requires the claimant to enter a few dates (e.g. the date when the claim incident occurred), but the interface does not provide a calendar widget so that the user can easily select the date. This deficiency in the user interface may increase the chances that

the user enters the wrong date. In other words, this deficiency contributes to the issue “Incorrect claim data entry”.

While the distinction between causal and contributing factor is generally useful when investigating specific incidents (for example investigating the causes of a given road accident), the distinction is often not relevant or not sufficiently sharp in the context of business process analysis. Accordingly, in this chapter we will use the term *factor* to refer to causal and contributing factors collectively.

In a cause–effect diagram, factors are grouped into categories and possibly also sub-categories. These categories are useful in order to guide the search for causes. For example, when organizing a brainstorming session for root cause analysis, one way to structure the session is to first go around the table asking each participant to give their opinion on possible causes of the issue at hand. The causes are first written down in any order. Next, the identified causes are classified according to certain categories and the discussion continues in a more structured way using these categories as a framework.

A well-known categorization for cause–effect analysis are the so-called 6M’s, which are described below together with possible sub-categorizations.

1. **Machine** (technology)—factors pertaining to the technology used, like for example software failures, network failures or system crashes that may occur in the information systems that support a business process. A useful sub-categorization of Machine factors is the following:
 - a. Lack of functionality in application systems.
 - b. Redundant storage of data across systems, leading for example to double data entry (same data entered twice in different systems) and data inconsistencies across systems.
 - c. Low performance of IT of network systems, leading for example to low response times for customers and process participants.
 - d. Poor user interface design, leading for example to customers or process participants not realizing that some data are missing or that some data are provided but not easily visible.
 - e. Lack of integration between multiple systems within the enterprise or with external systems such as a supplier’s information system or a customer’s information system.
2. **Method** (process)—factors stemming from the way the process is defined or understood or in the way it is performed. An example of this is when a given process participant A thinks that another participant B will send an e-mail to a customer, but participant B does not send it because they are not aware they have to send it. Possible sub-categories of Method factors include:
 - a. Unclear, unsuitable or inconsistent assignment of decision-making and processing responsibilities to process participants.

- b. Lack of empowerment of process participants, leading to process participants not being able to make necessary decisions without consulting several levels above in their organizational hierarchy. Conversely, excessive empowerment may lead to process participants having too much discretion and causing losses to the business through their actions.
 - c. Lack of timely communication between process participants or between process participants and the customer.
3. **Material**—factors stemming from the raw materials, consumables or data required as input by the activities in the process, like for example incorrect data leading to a wrong decision being made during the execution of a process. The distinction between raw materials, consumables and data provides a possible sub-categorization of these factors.
4. **Man**—factors related to a wrong assessment or an incorrectly performed step, like for example a claims handler accepting a claim even though the data in the claim and the rules used for assessing the claim require that the claim be rejected. Possible sub-categories of Man factors include:
 - a. Lack of training and clear instructions for process participants.
 - b. Lack of incentive system to motivate process participants sufficiently.
 - c. Expecting too much from process participants (e.g. overly hectic schedules).
 - d. Inadequate recruitment of process participants.
5. **Measurement**—factors related to measurements or calculations made during the process. In the context of an insurance claim, an example of such a factor is one where the amount to be paid to the customer is miscalculated due to an inaccurate estimation of the damages being claimed.
6. **Milieu**—factors stemming from the environment in which the process is executed, like for example factors originating from the customer, suppliers or other external actors. Here, the originating actor is a possible sub-categorization. Generally, milieu factors are outside the control of the process participants, the process owner, and other company managers. For example, consider a process for handling insurance claims for car accidents. This process depends partly on data extracted from police reports (e.g. police reports produced when a major accident occurs). It may happen in this context that some errors during the claims handling process originate from inaccuracies or missing details in the police reports. These factors are to some extent outside the control of the insurance company. This example illustrates that milieu factors may need to be treated differently from other (internal) factors.

These categories are meant as guidelines for brainstorming during root cause analysis rather than gospel that should be followed to the letter. Other ways of categorizing factors may be equally useful. For example, one alternative categorization is known as the 4P's (Policies, Procedures, People, and Plant/Equipment). Also, it is sometimes useful to classify factors according to the activities in the process where they originate (i.e. one category per major activity in the process). This approach allows us to easily trace the relation between factors and activities in the process.

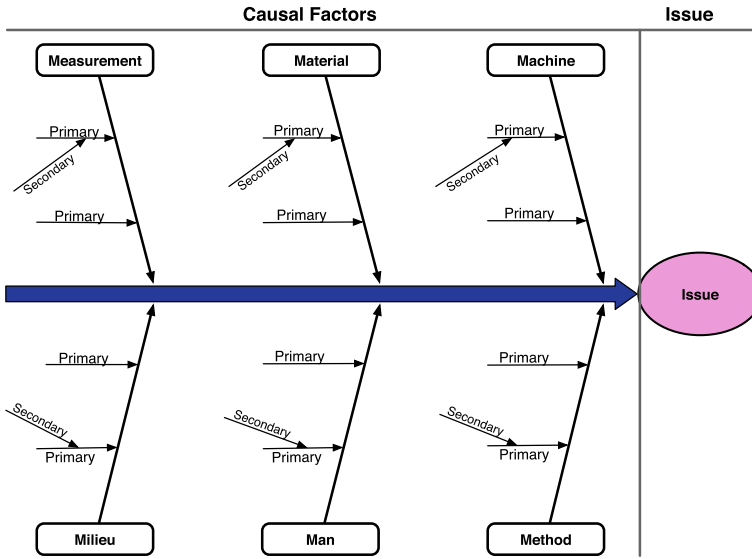


Fig. 6.1 Template of a cause–effect diagram based on the 6M’s

The above categories are useful not only as a guide for brainstorming during root cause analysis, but also as a basis for documenting the root causes in the form of a cause–effect diagram. Concretely, a cause–effect diagram consists of a main horizontal line (the *trunk*) from which a number of branches stem (cf. Fig. 6.1). At one end of the trunk is a box containing the negative effect that is being analyzed (in our case the *issue* being analyzed). The trunk has a number of main branches corresponding to the categories of factors (e.g. the 6M’s above). The root causes are written in the sub-branches. Sometimes, it is relevant to distinguish between *primary factors*, meaning factors that have a direct impact on the issue at hand, from *secondary factors*, which are factors that have an impact on the primary factors. For example, in the context of an insurance claims handling process, an inaccurate estimation of the damages leads to a miscalculation of the amount to be paid for a given claim. This inaccurate estimation of the damages may itself stem from a lack of incentive from the repairer to accurately calculate the cost of repairs. Thus, “Inaccurate damage estimation” can be seen as a primary factor for “Liability miscalculation”, while “Lack of incentive to calculate repair costs accurately” is a secondary factor behind the “Inaccurate damage estimation”. The distinction between primary and secondary factors is a first step towards identifying chains of factors behind an issue. We will see later in this chapter that why–why diagrams allow us to dig deeper into such chains of factors.

Because of their visual appearance, cause–effect diagrams are also known as *Fishbone diagrams*. Another common name for such diagrams is *Ishikawa diagrams* in allusion to one of its proponents—Kaoru Ishikawa—one of the pioneers of the field of quality management.

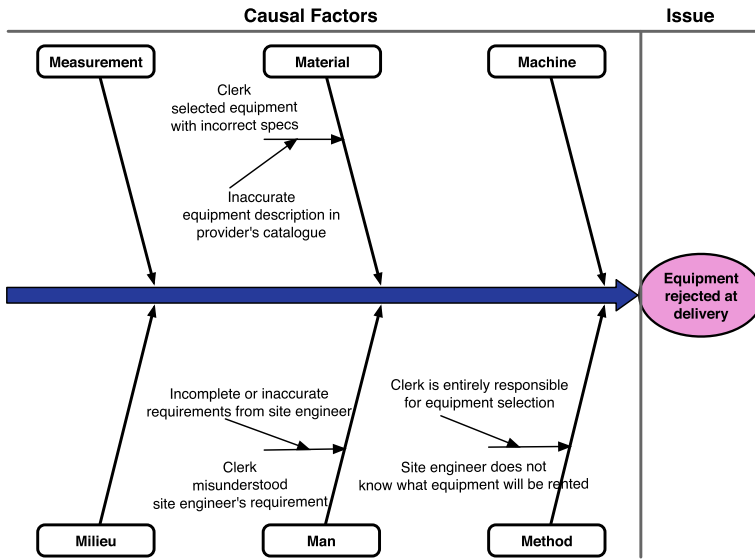


Fig. 6.2 Cause-effect diagram for issue “Equipment rejected at delivery”

Example 6.2 We consider again the equipment rental process described in Example 1.1 (p. 2). During an audit of this process, several issues were identified. It turns out that oftentimes the site engineer finds that the equipment delivered at the construction site is not suitable because it is either too small or not powerful enough for the job. Hence it has to be rejected. One clerk claims that the site engineers generally do not specify their requirements in sufficient detail. Other clerks blame the suppliers for giving inaccurate or incomplete descriptions of their equipment in their catalogs. On the other hand, site engineers complain that they are not consulted when there are doubts regarding the choice of equipment.

This scenario basically describes one issue, namely that the equipment is being rejected upon delivery. We can see three primary causes from the issue, which are summarized in the cause-effect diagram in Fig. 6.2. The diagram also shows secondary causes underpinning each of the primary causes. Note that the factor “clerk selected equipment with incorrect specs” has been classified under the Material category because this factor stems from incorrect input data. A defect in input data used by a process falls under the Material category.

Exercise 6.2 Consider the university admission process described in Exercise 1.1 (p. 4). One of the issues faced by the university is that students have to wait too long to know the outcome of the application (especially for successful outcomes). It often happens that by the time a student is admitted, the student has decided to go to another university instead (students send multiple applications in parallel to many universities). Analyze the causes of this issue using a cause-effect diagram.

6.2.2 Why–Why Diagrams

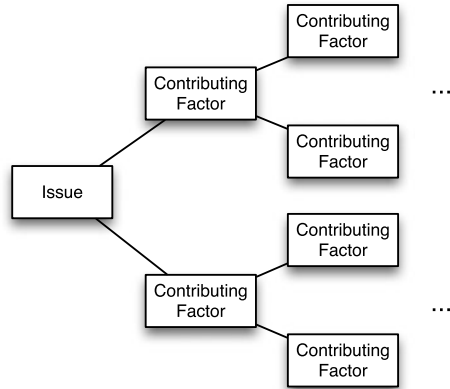
Why–why diagrams (also known as *tree diagrams*) constitute another technique to analyze the cause of negative effects, such as issues in a business process. The emphasis of root cause analysis is to capture the series of cause-to-effect relations that lead to a given effect. The basic idea is to recursively ask the question: Why has something happened? This question is asked multiple times until a factor that stakeholders perceive to be a *root cause* is found. A common belief in the field of quality management—known as the five Why’s principle—has it that answering the “why” question five times recursively allows one to pin down the root causes of a given negative effect. Of course, this should not be treated as gospel, but as a guideline of how far one should go during root cause analysis.

Why–why diagrams are a technique for structuring brainstorming sessions (e.g. workshops) for root cause analysis. Such a session would start with an issue. The first step is to give a name to the issue that stakeholders agree on. Sometimes it is found that there is not one issue, but multiple issues, in which case they should be analyzed separately. Once the issue has been identified and a name has been agreed upon, this becomes the root of the tree. Then at each level the following questions are asked: “Why does this happen?” and “What are the main sub-issues that may lead to this issue?”. Possible factors are then identified. Each of these factors is then analyzed using the same questions. When getting down in the tree (e.g. to levels 3 or 4) it is recommended to start focusing on factors that can be resolved, meaning that something can be done to change them. The leaves of the tree should correspond to factors that are fundamental in nature, meaning that they cannot be explained in terms of other factors. Ideally, these factors, called root causes, should be such that they can be eliminated or mitigated, but this is not necessarily the case. For example, in the context of an insurance claims handling process, a certain type of errors in a police report may be due to lack of time and hectic schedules on the side of police agents involved in filling these reports. There is relatively little the insurance agency can do in this case to eliminate the error, other than raising the issue with the relevant authorities. Yet, the impact of this factor could be mitigated by putting in place checks to detect such errors as early as possible in the process.

A simple template for why–why diagrams is given in Fig. 6.3. An alternative way of presenting the information in such diagrams is by means of nested bullet-point lists. In the rest of this chapter we will opt for the latter representation.

Example 6.3 We consider again the equipment rental process described in Example 1.1 (p. 2). In Example 6.2 above, we noted that one of the issues with this process is that the site engineer sometimes rejected the equipment upon delivery because it was not suitable for the job at hand. Another issue is that BuildIT spends more in equipment rental than what it budgeted for. An auditor pointed out that one of the reasons for excessive expenditure was that site engineers were keeping the rented equipment longer than initially planned by using deadline extensions. Site engineers knew that it was easy to get a deadline extension. They also knew that it took quite some time to get equipment rental requests approved, and the larger the cost and

Fig. 6.3 Template of a why-why diagram



the duration of the rental, the slower it was to get it approved. So in many cases, site engineers were renting equipment several days before the date when they actually needed it. Also, they were specifying short periods in their equipment rental requests in order to get them approved quicker. When the deadline for returning an equipment approached, they just called the supplier to keep the equipment for a longer period.

Another issue spotted by the auditor is that a significant amount of late-payment penalty fees were paid to the suppliers because invoices for equipment rental were not paid by their due date. The clerks blamed the site engineers for being slow in approving the invoices.

In summary, we can distinguish at least three issues. First, the wrong equipment is being delivered on some occasions. Secondly site engineers are frequently asking for deadline extensions. Thirdly, BuildIT is often paying late payment fees to suppliers. A possible analysis root cause analysis of these issues leads to the following why-why diagrams (represented as nested bullet-point lists).

Issue 1 Site engineers sometimes reject delivered equipment, why?

Wrong equipment is delivered, why?

- miscommunication between site engineer and clerk, why?
 - site engineer provides only brief/inaccurate description of what they want
 - site engineer does not (always) see the supplier catalogs when making a request and does not communicate with the supplier, why?
 - site engineer generally does not have Internet connectivity
 - site engineer does not check the choice of equipment made by the clerk
- equipment descriptions in supplier’s catalog not accurate

Issue 2 Site engineers keep equipment longer than needed via deadline extensions, why?

Site engineer fears that equipment will not be available later when needed, why?

- time between request and delivery too long, why?
 - excessive time spent in finding a suitable equipment and approving the request, why?
 - time spent by clerk contacting possibly multiple suppliers sequentially
 - time spent waiting for works engineer to check the requests

Issue 3 BuildIT often has to pay late payment fees to suppliers, why?

Time between invoice received by clerk and confirmation is too long, why?

- clerk needs confirmation from site engineer, why?
 - clerk cannot assert when was the equipment delivered and picked-up, why?
 - delivery and pick-up of equipments are not recorded in a shared information system
 - site engineer can extend the equipment rental period without informing the clerk
 - site engineer takes too long to confirm the invoice, why?
 - confirming invoices is not a priority for site engineer

Exercise 6.3 Consider again the process for university admission described in Exercise 1.1 (p. 4) and the issue described in Exercise 6.2 above. Analyze this issue using a why–why diagram.

6.3 Issue Documentation and Impact Assessment

Root cause analysis techniques allow us to understand the factors behind a given issue. A natural next step is to understand the impact of these issues. Building up this understanding is critical in order to prioritize the issues so that the attention of the process owner, participants and analysts can be focused on the issues that most matter to the organization. Below we discuss two complementary techniques for impact assessment.

6.3.1 Issue Register

The *issue register* complements the output of root cause analysis by providing a more detailed analysis of individual issues and their impact. The purpose of the issue register is to determine how and to what extent each issue is impacting on the performance of the process. The impact of an issue can be described quantitatively, for example in terms of time or money lost, or qualitatively, in terms of perceived nuisance to the customer or perceived risks that the issue entails. For example, nuisances caused to the customer because of misunderstandings during the execution of the process can be classified as qualitative impact, since it is difficult to translate this nuisance into a monetary measure.

Concretely, an issue register is a listing that provides a detailed analysis of each issue and its impact in the form of a table with a pre-defined set of fields. The following fields are typically described for each issue:

- *Name of the issue.* This name should be kept short, typically two–five words, and should be understandable by all stakeholders in the process.
- *Description.* A short description of the issue, typically one–three sentences, focused on the issue itself as opposed to its consequences or impact, which are described separately.
- *Priority.* A number (1, 2, 3, ...) stating how important this issue is relative to other issues. Note that multiple issues can have the same priority number.
- *Assumptions (or input data).* Any data used or assumptions made in the estimation of the impact of the issue, such as for example number of times a given negative outcome occurs, or estimated loss per occurrence of a negative outcome. In the early phases of the development of the issue register, the numbers in this column will be mainly assumptions or ballpark estimates. Over time, these assumptions and rough estimates will be replaced with more reliable numbers derived from actual data about the execution of the process.
- *Qualitative impact.* A description of the impact of the issue in qualitative terms, such as impact of the issue on customer satisfaction, employee satisfaction, long-term supplier relationships, company's reputation or other intangible impact that is difficult to quantify.
- *Quantitative impact.* An estimate of the impact of the issue in quantitative terms, such as time loss, revenue loss or avoidable costs.

Other fields may be added to an issue register. For example, in view of process redesign, it may be useful to include an attribute *possible resolution* that describes possible mechanisms for addressing the issue.

Example 6.4 We consider again the equipment rental process described in Example 1.1 (p. 2) and the issues described above in Examples 6.2 and 6.3. The issue register given in Table 6.2 provides a more detailed analysis of these issues and their impact.¹

Question Issue or factor?

An issue register is likely to contain a mixture of issues that have a direct impact on business performance, and others that are essentially causal or contributing factors of other issues that then impact on business performance. In other words, the issue register contains both issues and factors. For example, in the issue register of the equipment rental process, one could find the following entries:

- Clerk misunderstood the site engineer's requirements for an equipment.

¹In this issue register we do not use multiple columns. This is a pragmatic choice to better fit the issue register within the width of the page.

Table 6.2 Issue register of equipment rental process

Issue 1: Equipment kept longer than needed

Priority: 1

Description: Site engineers keep the equipment longer than needed by means of deadline extensions

Assumptions: BuildIT rents 3000 pieces of equipment per year. In 10 % of cases, site engineers keep the equipment two days longer than needed to avoid disruptions due to delays in equipment rentals. On average, rented equipment costs € 100 per day

Qualitative impact: Not applicable

Quantitative impact: $0.1 \times 3000 \times 2 \times \text{€ } 100 = \text{€ } 60,000$ in additional rental expenses per year

Issue 2: Rejected equipment

Priority: 2

Description: Site engineers sometimes reject the delivered equipment due to non-conformance to their specifications

Assumptions: BuildIT rents 3000 pieces of equipment per year. Each time an equipment is rejected due to a mistake on BuildIT's side, BuildIT is billed the cost of one day of rental, that is € 100. 5 % of them are rejected due to an internal mistake within BuildIT (as opposed to a supplier mistake)

Qualitative impact: These events disrupt the construction schedules and create frustration and internal conflicts

Quantitative impact: $3000 \times 0.05 \times \text{€ } 100 = \text{€ } 15,000$ per year

Issue 3: Late payment fees

Priority: 3

Description: BuildIT pays late payment fees because invoices are not paid by the due date

Assumptions: BuildIT rents 3000 pieces of equipment per year. Each equipment is rented on average for 4 days at a rate of € 100 per day. Each rental leads to one invoice. About 10 % of invoices are paid late. On average, the penalty for late payment is 2 % of the amount of the invoice

Qualitative impact: Suppliers are annoyed and later unwilling to negotiate more favorable terms for equipment rental

Quantitative impact: $0.1 \times 3000 \times 4 \times \text{€ } 100 \times 0.02 = \text{€ } 2400$ per year

- Clerk did not select the correct equipment from the supplier's catalog due to inattention.
- Clerk indicated an incorrect delivery date in the PO and the supplier used this wrong date.
- Supplier did not deliver the exact equipment that had been ordered.
- Delivered equipment is faulty or is not ready-for-use.
- Supplier delivered the equipment to the wrong construction site or at the wrong time.

All of the above issues are possible causal or contributing factors of a top-level issue, namely "Equipment is rejected by the site engineer". The fact that the site engineer rejects the equipment creates a direct impact for BuildIT, for example in

terms of delays in the construction schedule. Meanwhile, the issues listed above have an indirect business impact, in the sense that they lead to the equipment being rejected and the needed equipment not being available on time, which in turn leads to delays in the construction schedule.

When an issue register contains a combination of issues and factors, it may be useful to add two fields to the register, namely “caused by” and “is cause of”, that indicate for a given issue, which other issues in the register are related to it via a cause–effect relation. This way it becomes easier to identify which issues are related between them so that related issues can be analyzed together. Also, when an issue X is a factor of an issue Y, instead of analyzing both the impact of X and Y, we can analyze the impact of Y and in the qualitative and quantitative impact fields of X we can simply refer to the impact of Y. For example, in the impact field of issue “Clerk misunderstood the site engineer’s requirements” we can simply refer to the impact of “Equipment is rejected by the site engineer”.

Alternatively, we can adopt the convention of including in the issue register only top-level issues, meaning issues that have a direct business impact, and separately, we can use why–why diagrams and cause–effect diagrams to document the factors underpinning these top-level issues. This convention is followed in the rest of this chapter, meaning that the issue registers shown below only contain top-level issues rather than factors.

Exercise 6.4 Write an issue register for the university admission process and the issue described in Exercise 6.2.

6.3.2 Pareto Analysis and PICK Charts

The impact assessment conducted while building the issue register can serve as input for *Pareto analysis*. The aim of Pareto analysis is to identify which issues or which causal factors of an issue should be given priority. Pareto analysis rests on the principle that a small number of factors are responsible for the largest share of a given effect. In other words:

- A small subset of issues in the issue register are likely responsible for the largest share of impact.
- For a given issue, a small subset of factors behind this issue are likely responsible for the largest share of occurrences of this issue.

Sometimes this principle is also called the 80–20 principle, meaning that 20 % of issues are responsible for 80 % of the effect. One should keep in mind, however, that the specific proportions are only indicative. It may be for example that 30 % of issues are responsible for 70 % of the effect.

A typical approach to conduct Pareto analysis is as follows:

1. Define the effect to be analyzed and the measure via which this effect will be quantified. The measure might be for example:

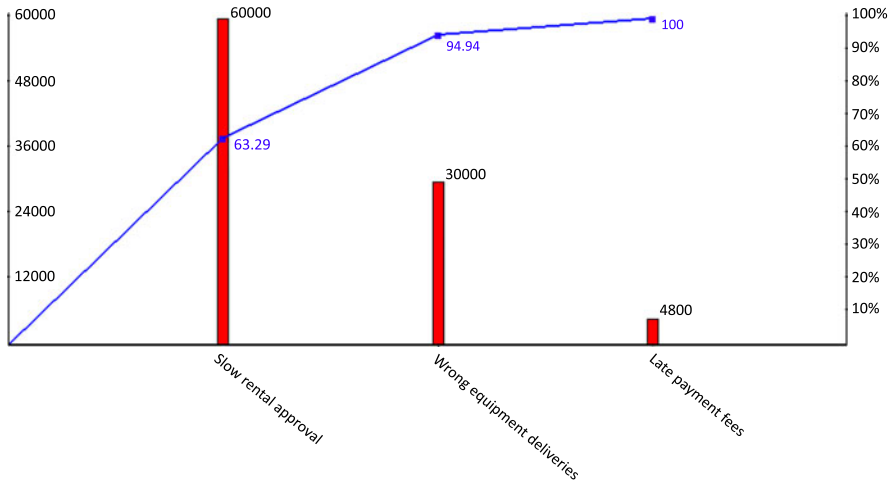


Fig. 6.4 Pareto chart for excessive equipment rental expenditure

- Financial loss for the customer or for the business.
 - Time loss by the customer or by the process participants.
 - Number of occurrences of a negative outcome, such as number of unsatisfied customers due to errors made when handling their case.
2. Identify all relevant issues that contribute to the effect to be analyzed.
 3. Quantify each issue according to the chosen measure. This step can be done on the basis of the issue register, in particular, the quantitative impact column of the register.
 4. Sort the issues according to the chosen measure (from highest to lowest impact) and draw a so-called *Pareto chart*. A Pareto chart consists of two components:
 - a. A bar chart where each bar corresponds to an issue and the height of the bar is proportional to the impact of the issue or factor.
 - b. A curve that plots the cumulative percentage impact of the issues. For example, if the issue with the highest impact is responsible for 40 % of the impact, this curve will have a point with a y-coordinate of 0.4 and an x-coordinate positioned so as to coincide with the first bar in the bar chart.

Example 6.5 Consider again the equipment rental process described in Example 1.1 (p. 2) and the issue register in Example 6.4. All three issues in this register share in common that they are responsible for unnecessary rental expenditure, which is a form of financial loss. From the data in the impact column of the register, we can plot the Pareto chart in Fig. 6.4.

This Pareto chart shows that issue “Slow rental approval” is responsible already for 63 % of unnecessary rental expenditure. Given that in this example there are only three issues, one could have come to this conclusion without conducting Pareto analysis. In practice though, an issue register may contain dozens or hundreds of issues, making Pareto analysis a useful tool to summarize the data in the issue register.

Exercise 6.5 Let us consider again the equipment rental process. This time we take the perspective of the site engineer, whose goal is to have the required equipment available on site when needed. From this perspective, the main issue is that in about 10 % of cases, the requested equipment is not available on site the day when it is required. When this happens, the site engineer contacts the suppliers directly to resolve the issue, but still, resolving the issue may take several days. It is estimated that each such delay costs € 400 per day to BuildIT. By inspecting a random sample of delayed equipment deliveries during a one-year period and investigating the cause of each occurrence, an analyst found that:

1. five occurrences were due to the site engineer not having ordered the equipment with sufficient advance notice: The site engineers ordered the equipment the day before it was needed, when at least two days are needed. These cases cause delays of one day on average.
2. nine occurrences were due to the fact that none of BuildIT's suppliers had the required type of equipment available on the requested day. These cases cause delays of one to four days (three days on average).
3. 13 occurrences were due to the approval process taking too long (more than a day) due to mistakes or misunderstandings. For these cases, the delay was one day on average.
4. 27 occurrences were due to the equipment having been delivered on time, but the equipment was not suitable and the site engineer rejected it. These cases cause delays of two days on average.
5. four occurrences were due to mistakes or delays attributable entirely to the supplier. These cases lead to delays of one day. However, in these cases, the supplier compensated BuildIT by providing the equipment two days for free (the remaining days are still charged). Recall that the average cost of an equipment rental per day is € 100.
6. For two occurrences, the analyst did not manage to determine the cause of the delay (the process participants could not recall the details). The delays in these cases were two days per occurrence.

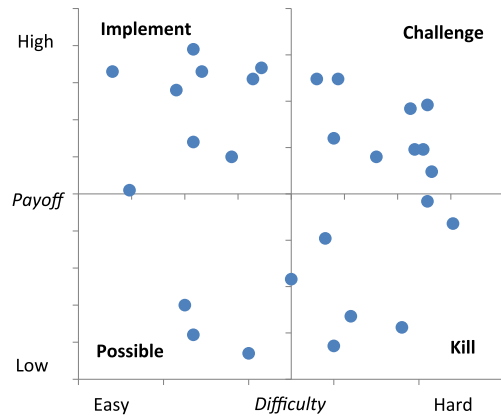
The sample of analyzed occurrences represents around 20 % of all occurrences of the issue during a one-year period.

Draw a Pareto chart corresponding to the above data.

It is worth highlighting that Pareto analysis focuses on a single dimension. In the example above, the dimension under analysis is the impact in monetary terms. In other words, we focus on the estimated payoff of addressing an issue. In addition to payoff, there is another dimension that should be taken into account when deciding which issues should be given higher priority, namely the level of difficulty of addressing an issue. This level of difficulty can be quantified in terms of the amount of investment required to change the process in order to address the issue in question.

A type of chart that can be used as a complement to Pareto charts in order to take into account the difficulty dimension is the *PICK chart*. A PICK chart (see Fig. 6.5) is a four-quadrant chart where each issue appears as a point. The horizontal axis

Fig. 6.5 PICK chart



captures the difficulty of addressing the issue (or more specifically the difficulty of implementing a given improvement idea that addresses the issue) while the vertical axis captures the payoff. The horizontal axis (difficulty) is split into two sections (easy and hard) while the vertical axis (payoff) is split into low and high. These splits lead to four quadrants that allow analysts to classify issues according to the trade-off between payoff and difficulty:

- *Possible* (low payoff, easy to do): issues that can be addressed if there are sufficient resources for doing so.
- *Implement* (high payoff, easy to do): issues that should definitely be implemented as a matter of priority.
- *Challenge* (high payoff, hard to do): issues that should be addressed but require significant amount of effort. In general one would pick one of these challenges and focus on it rather than addressing all or multiple challenges at once.
- *Kill* (low payoff, hard to do): issues that are probably not worth addressing or at least not to their full extent.

6.4 Recap

In this chapter, we presented a selection of techniques for qualitative analysis of business processes. The first presented technique, namely value-added analysis, aims at identifying waste, specifically time wasted in activities that do not give value to the customer or to the business. Next, we presented two techniques to uncover the causes of issues that affect the performance of a process, namely cause-effect analysis and why-why analysis. Whereas cause-effect analysis focuses on classifying the factors underpinning the occurrences of an issue, why-why analysis focuses on identifying the recursive cause-effect relations between these factors.

Finally, we presented an approach to systematically document issues in a process, namely the issue register. The purpose of an issue register is to document issues

in a semi-structured way and to analyze their impact on the business both from a qualitative and a quantitative angle. In particular, the issue register provides a starting point to build Pareto charts and PICK charts—two visualization techniques that provide a bird’s-eye view of a set of issues. These charts help analysts to focus their attention on issues that offer the best payoff (in the case of Pareto charts) or the best trade-off between payoff and difficulty (in the case of PICK charts).

6.5 Solutions to Exercises

Solution 6.1

- VA: receive online application, evaluate academic admissibility, send notification to student.
- BVA: check completeness, academic recognition agency check, English test check.
- NVA: receive physical documents from students, forward documents to committee, notify students service of outcomes of academic admissibility.

Note In this solution we treat the entire agency check as BVA. Part of this agency check consists of the admissions office sending the documents to the agency and the agency sending back the documents and their assessment to the admissions office. These two sub-steps could be treated as NVA. However, if we assume that the agency requires the documents to be sent by post to them, these sub-steps cannot be easily separated from the agency check itself. In other words, it would not be possible to eliminate these handover steps without eliminating the entire agency check. Thus the entire agency check should arguably be treated as a single step.

Solution 6.2 The cause–effect diagram corresponding to this exercise should include at least the name of the issue (e.g. “Student waiting time too long”) and the following factors:

- Process stalls due to agency check. This is a “Method” issue, since the issue stems from the fact that the process essentially stalls until a response is received from the agency. One could argue that to some extent this is a “Milieu” issue. But while the slowness of the agency check is a “Milieu” issue, the fact that the process stalls until a response is received from the agency is a “Method” issue.
- Agency check takes too long. This is a “Milieu” issue since the agency is a separate entity that imposes its own limitations.
- Academic committee assessment takes too long. This is a “Method” issue since the process imposes that the academic committee only assesses applications at certain times (when it meets), rather than when applications are ready to be evaluated.
- Physical documents take too long to be received. This is a “Milieu” issue for two reasons. First, the physical documents are needed for the purpose of the agency

check and the delays in the arrival of physical documents are caused by the applicants themselves and postal service delays.

- Admission office delays the notification after academic assessment. This seems to be a “Method” issue, but the description of the process does not give us sufficient information to state this conclusively. Here, a process analyst would need to gather more information in order to understand this issue in further detail.

Solution 6.3

Admission process takes too long, why?

- Process stalls until physical documents arrive, why?
 - Agency check requires physical documents.
 - Other tasks are performed only after agency check, why?
 - Traditionally this is how the process is set-up but there is no strong reason for it.
- Agency check takes too long, why?
 - Exchanges with the agency are via post, why?
 - Agency requires original (or certified) documents due to regulatory requirements.

Academic committee takes too long, why?

- Documents are exchanged by internal mail between admissions office and committee.
- Academic committee only meets at specified times.

Admission office delays the notification after academic assessment, why?

- Not enough information available to analyze this issue (probably due to batching —admissions office sends notifications in batches).

The above analysis already suggests one obvious improvement idea: perform the academic committee assessment in parallel to the agency check. Another improvement opportunity is to replace internal mail communication between admissions office and academic committee with electronic communication (e.g. documents made available to committee members via a Web application).

Note that we could have done the analysis starting from the issue “Admitted students reject their admission offer”. This might be useful since there might be several reasons why students reject their offer, some related to the admission process, but also some unrelated to the process.

Solution 6.4 In the following issue register, we only analyze the issue described in this chapter, namely that the admission process takes too long. In practice, the issue register would include multiple issues.

Issue 1: Students reject offer due to long waiting times**Priority: 1****Description:** The time between online submission of an application to notification of acceptance takes too long, resulting in some students rejecting their admission offer**Assumptions:** Circa 20 students per admission round reject their offer because of the delays. Assessment of each application costs € 100 per student to the university in time spent by admissions office and academic committee, plus an additional € 50 for the agency check. University spends € 100 in marketing for each application it attracts**Qualitative impact:** Students who would contribute to the institution in a positive way are lost. Delays in the admission process affect the image of the university vis-a-vis of future students, and generate additional effort to handle enquiries from students while they wait for the admission decisions**Quantitative impact:** $20 \times \text{€ } 250 = \text{€ } 5000$ per admission round

In the above issue analysis, the effort required to deal with enquiries during the pre-admission period is listed in the qualitative impact field. If it was possible (with a reasonable amount of effort) to estimate how many such enquiries arrive and how much time they consume, it would be possible to turn this qualitative impact into a quantitative one.

Solution 6.5 First, we analyze the cost incurred by each type of occurrence (i.e. each causal factor) in the sample:

1. Last-minute request: one day delay (because normally two days advance notice are needed), thus $\text{€ } 400 \text{ cost} \times 5 = \text{€ } 2000$.
2. Equipment out-of-stock: three days delay = $\text{€ } 1200 \times 9 = \text{€ } 10,800$.
3. Approval delay: one day delay = $\text{€ } 400 \times 13 = \text{€ } 5200$.
4. Rejected equipment: two days delay = $\text{€ } 800 \times 27 = \text{€ } 21,600$. Note that in Example 6.4 we mentioned that when an equipment is rejected, a fee of € 100 (on average) has to be paid to the supplier for taking back the equipment. However, we do not include this fee here because we are interested in analyzing the costs stemming from equipment not being available on the required day, as opposed to other costs incurred by rejecting equipments.
5. Supplier mistake: one day delay = $\text{€ } 400$ minus $\text{€ } 200$ in rental cost saving = $\text{€ } 200 \times 4 = \text{€ } 800$.
6. Undetermined: two days delay = $\text{€ } 800 \times 2 = \text{€ } 1600$.

Since the sample represents 20 % of occurrences of the issue over a year, we multiply the above numbers by five in order to estimate the total yearly loss attributable to each causal factor. The resulting Pareto chart is given in Fig. 6.6.

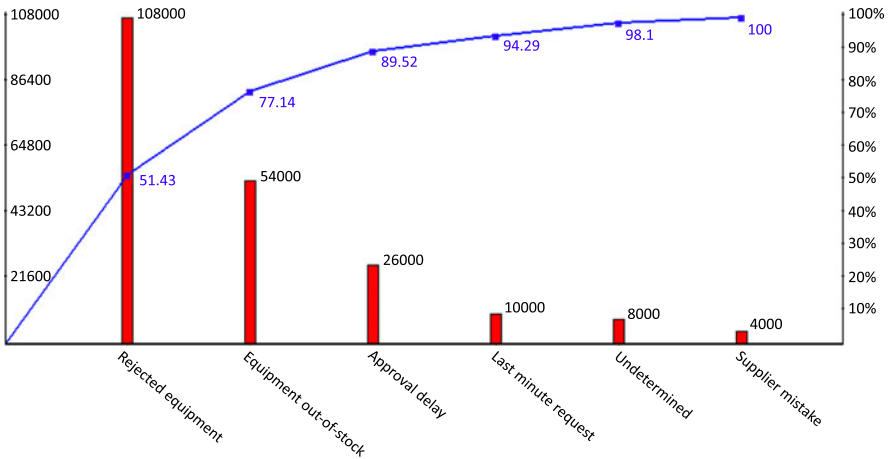


Fig. 6.6 Pareto chart of causal factors of issue “Equipment not available when needed”

6.6 Further Exercises

Exercise 6.6 Consider the following summary of issues reported in a travel agency.

A travel agency has recently lost several medium-sized and large corporate customers due to complaints about poor customer service. The management team of the travel agency decided to appoint a team of analysts to address this problem. The team gathered data by conducting interviews and surveys with current and past corporate customers and also by gathering customer feedback data that the travel agency has recorded over time. About 2 % of customers complained about errors that had been made in their bookings. In one occasion, a customer had requested a change to a flight booking. The travel agent wrote an e-mail to the customer suggesting that the change had been made and attached a modified travel itinerary. However, it later turned out that the modified booking had not been confirmed in the flight reservation system. As a result, the customer was not allowed to board the flight and this led to a series of severe inconveniences for the customer. Similar problems had occurred when booking a flight initially: the customer had asked for certain dates, but the flight tickets had been issued for different dates. Additionally, customers complained of the long times it took to get responses to their requests for quotes and itineraries. In most cases, employees of the travel agency replied to requests for quotes within 2–4 working hours, but in the case of some complicated itinerary requests (about 10 % of the requests), it took them up to 2 days. Finally, about 5 % of customers also complained that the travel agents did not find the best flight connections and prices for them. These customers essentially stated that they had found better itineraries and prices on the Web by searching by themselves.

1. Analyze the issues described above using root cause analysis techniques.
2. Document the issues in the form of an issue register. To this end, you may assume that the travel agency receives around 100 itinerary requests per day and that the agency makes 50 bookings per day. Each booking brings a gross profit of € 100 to the agency.

Exercise 6.7 Consider the pharmacy prescription fulfillment process described in Exercise 1.6 (p. 28). Identify the steps in this process and classify them into value-adding, business value-adding and non-value-adding.

Exercise 6.8 Consider the procure-to-pay process described in Exercise 1.7 (p. 29). Identify the steps in this process and classify them into value-adding, business value-adding and non-value-adding.

Exercise 6.9 Write an issue register for the pharmacy prescription fulfillment process described in Exercise 1.6 (p. 28). Analyze at least the following issues:

- Sometimes, a prescription cannot be filled because one or more drugs in the prescription are not in stock. The customer only learns this when they come to pick up their prescription.
- Oftentimes, when the customer arrives to pick up the drugs, they find out that they have to pay more than what they expected because their insurance policy does not cover the drugs in the prescription, or because the insurance company covers only a small percentage of the cost of the drugs.
- In a very small number of cases, the prescription cannot be filled because there is a potentially dangerous interaction between one of the drugs in the prescription and other drugs that the customer has been given in the past. The customer only finds out about this issue when they arrive to pick up the prescription.
- Some prescriptions can be filled multiple times. This is called a “refill”. Every prescription explicitly states whether a refill is allowed and if so how many refills are allowed. Sometimes, a prescription cannot be filled because the number of allowed refills has been reached. The pharmacist then tries to call the doctor who issued the prescription to check if the doctor would allow an additional refill. Sometimes, however, the doctor is unreachable or the doctor does not authorize the refill. The prescription is then left unfilled and the customer only finds it out when they arrive to pick-up the prescription.
- Oftentimes, especially during peak time, customers have to wait for more than 10 minutes to pick-up their prescription due to queues. Customers find this annoying because they find that having to come twice to the pharmacy (once for drop-off and once for pick-up) should allow the pharmacy ample time to avoid such queues at pick-up.
- Sometimes, the customer arrives at the scheduled time, but the prescription is not yet filled due to delays in the prescription fulfillment process.

When making assumptions to analyze these issues, you may choose to equate “oftentimes” with “20 % of prescriptions”, “sometimes” with “5 % of prescriptions” and “very small number of cases” with “1 % of prescriptions”. You may also assume that the entire chain of pharmacies consists of 200 pharmacies that serve 4 million prescriptions a year and that the annual revenue of the pharmacy chain attributable to prescriptions is € 200 million. You may also assume that every time a customer is dissatisfied when picking up a prescription, the probability that this customer will

not come back after this experience is 20 %. You may also assume that on average a customer requires five prescriptions per year.

Taking the issue register as a basis, apply Pareto Analysis to determine a subset of issues that should be addressed to reduce the customer churn due to dissatisfaction by at least 70 %. Customer churn is the number of customers who stop consuming services offered by a company at a given point in time. In this context, this means the number of customers who stop coming to the pharmacy due to a bad customer experience.

Exercise 6.10 Write an issue register for the procure-to-pay process described in Exercise 1.7 (p. 29).

6.7 Further Reading

Value-added analysis, cause–effect analysis, why–why analysis and Pareto analysis are just a handful of a much wider range of techniques used in the field of Six Sigma (cf. “Related Fields” box in Chap. 1). Conger [8] shows how these and other Six Sigma techniques can be applied for business process analysis. The list of analysis techniques encompassed by Six Sigma is very extensive. A comprehensive listing of Six Sigma techniques is maintained in the iSixSigma portal (<http://www.isixsigma.com/tools-templates/>). A given business process improvement project will generally only make use of a subset of these techniques. In this respect, Johannsen et al. [38] provide guidelines for selecting analysis techniques for a given BPM project.

Straker’s Quality Encyclopedia (see http://www.syque.com/improvement/a_encyclopedia.htm) provides a comprehensive compendium of concepts used in Six Sigma and other quality management disciplines. In particular, it provides definitions and illustrations of the 6M’s and the 4P’s used in cause–effect diagrams and other concepts related to root cause analysis. A related resource—also by Straker—is the Quality Toolbook, which summarizes a number of quality management techniques. Originally the Quality Toolbook was published as a hard-copy book [89], but it is nowadays also available freely in hyperlinked form at: http://www.syque.com/quality_tools/toolbook/toolbook.htm.

Why–why diagrams allow us to document sequences of cause–effect relations that link factors to a given issue. A related technique to capture cause–effect paths is the *causal factor chart* [77]. Causal factor charts are similar to why–why diagrams. A key difference is that in addition to capturing factors, causal factor charts also capture conditions surrounding the factors. For example, in addition to stating that “the clerk made a data entry mistake when creating the PO”, a causal factor chart might also include a condition corresponding to the question “in which part of the PO the clerk made a mistake?” These additional conditions allow analysts to more clearly define each factor.

The issue register has been proposed as a process analysis tool by Schwegmann and Laske [84]² who use the longer term “list of weaknesses and potential improvements” to refer to an issue register. Schwegmann and Laske argue that the issue register should be built up in parallel with the as-is model, meaning that the discovery of the as-is process and the documentation of issues should go hand in hand. The rationale is that during the workshops organized for the purpose of process discovery (cf. Chap. 5), workshop participants will often feel compelled to voice out issues related to different parts of the process. Therefore, process discovery is an occasion to start listing issues. Naturally, during process discovery, the documentation of issues is left incomplete because the focus is more on understanding the as-is process. Additional analysis after the process discovery phase is required in order to document the issues and their impact in detail.

Another framework commonly used for qualitative process analysis is the Theory of Constraints (TOC) [23]. TOC is especially useful when the goal is to trace weaknesses in the process to specific bottlenecks. In addition to providing a framework for process analysis, TOC also provides guidance to identify, plan and implement changes in order to address the identified bottlenecks. The application of TOC to business process analysis and redesign is discussed at length by Laguna and Marklund [43, Chap. 5] and by Rhee et al. [76].

Finally, a useful framework when it comes to analyzing individual tasks (or activities) in a business process—as opposed to the entire process—is provided by Harmon [31, Chap. 10].³ This so-called Task Analysis or Activity Analysis framework includes a comprehensive collection of questions and checklists that an analyst should answer and complete in order to identify opportunities to improve the performance of a given activity.

²The sub-categorization of the 6M’s given in Sect. 6.2.1 also comes from Schwegmann and Laske [84].

³An alternate reference describing this framework is [32].

Chapter 7

Quantitative Process Analysis

It is better to be approximately right than precisely wrong.
Warren Buffett (1930–)

Qualitative analysis is a valuable tool to gain systematic insights into a process. However, the results obtained from qualitative analysis are sometimes not detailed enough to provide a solid basis for decision making. Think of the process owner of BuildIT's equipment rental process preparing to make a case to the company's COO that every site engineer should be given a tablet computer with wireless access in order to query suppliers' catalogs and to make rental requests from any construction site. The process owner will be asked to substantiate this investment in quantitative terms and specifically to estimate how much time and money would be saved by doing this investment. To make such estimates, we need to go beyond qualitative analysis.

This chapter introduces a range of techniques for analyzing business processes quantitatively, in terms of performance measures such as cycle time, total waiting time and cost. Specifically, the chapter focuses on three techniques: flow analysis, queueing analysis and simulation. All these techniques have in common that they allow us to calculate performance measures of a process, given data about the performance of individual activities and resources in the process.

7.1 Performance Measures

7.1.1 Process Performance Dimensions

Any company would ideally like to make its processes faster, cheaper, and better. This simple observation leads us already to identifying three *process performance dimensions*: time, cost and quality. A fourth dimension gets involved in the equation once we consider the issue of change. A process might perform extremely well under normal circumstances, but then perform poorly in other circumstances which are perhaps equally or more important. For example, van der Aalst et al. [98] report the story of a business process for handling claims at an Australian insurance

company. Under normal, everyday conditions, the process was performing to the entire satisfaction of all managers concerned (including the process owner). However, Australia is prone to storms and some of these storms cause serial damages to different types of properties (e.g. houses and cars), leading to numerous claims being lodged in a short period of time. The call center agents and backoffice workers involved in the process were over-flooded with claims and the performance of the process degraded—precisely at the time when the customers were most sensitive to this performance. What was needed was not to make the process faster, cheaper or better during normal periods. Rather, it was needed to make the process more flexible to sudden changes in the amount of claims. This observation leads us to identify a fourth dimension of process performance, namely flexibility.

Each of the four performance dimensions mentioned above (time, cost, quality, and flexibility) can be refined into a number of *process performance measures* (also called *key performance indicators* or *KPIs*). A process performance measure is a quantity that can be unambiguously determined for a given business process—assuming of course that the data to calculate this performance measure is available.

For example, there are several types of cost such as cost of production, cost of delivery or cost of human resources. Each of these types of cost can be further refined into specific performance measures. To do so, one needs to select an aggregation function, such as count, average, variance, percentile, minimum, maximum, or ratios of these aggregation functions. A specific example of a cost performance measure is the average delivery cost per item.

Below, we briefly discuss each of the four dimensions and how they are typically refined into specific performance measures.

Time Often the first performance dimension that comes to mind when analyzing processes is time. Specifically, a very common performance measure for processes is *cycle time* (also called *throughput time*). Cycle time is the time that it takes to handle one case from start to end. Although it is usually the aim of a redesign effort to reduce cycle time, there are many different ways of further specifying this aim. For example, one can aim at a reduction of the average cycle time or the maximal cycle time. It is also possible to focus on the ability to meet cycle times that are agreed upon with a client at run time. Yet another way of looking at cycle time is to focus on its variation, which is notably behind approaches like Six Sigma (cf. Chap. 1). Other aspects of the time dimension come into view when we consider the constituents of cycle time, namely:

1. *Processing time* (also called *service time*): the time that resources (e.g. process participants or software applications invoked by the process) spend on actually handling the case.
2. *Waiting time*: the time that a case spends in idle mode. Waiting time includes *queueing time*—waiting time due to the fact that no resources available to handle the case—and other waiting time, for example because synchronization must take place with another process or because input is expected from a customer or from another external actor.

Cost Another common performance dimension when analyzing and redesigning a business process has a financial nature. While we refer to cost here, it would also have been possible to put the emphasis on turnover, yield, or revenue. Obviously, a yield increase may have the same effect on an organization's profit as a decrease of cost. However, process redesign is more often associated with reducing cost. There are different perspectives on cost. In the first place, it is possible to distinguish between fixed and variable cost. Fixed costs are overhead costs which are (nearly) not affected by the intensity of processing. Typical fixed costs follow from the use of infrastructure and the maintenance of information systems. Variable cost is positively correlated with some variable quantity, such as the level of sales, the number of purchased goods, the number of new hires, etc. A cost notion which is closely related to productivity is *operational cost*. Operational costs can be directly related to the outputs of a business process. A substantial part of operational cost is usually labor cost, the cost related to human resources in producing a good or delivering a service. Within process redesign efforts, it is very common to focus on reducing operation cost, particularly labor cost. The automation of tasks is often seen as an alternative for labor. Obviously, although automation may reduce labor cost, it may cause incidental cost involved with developing the respective application and fixed maintenance cost for the life time of the application.

Quality The quality of a business process can be viewed from at least two different angles: from the client's side and from the process participant's side. This is also known as the distinction between external quality and internal quality. The *external quality* can be measured as the client's satisfaction with either the product or the process. Satisfaction with the product can be expressed as the extent to which a client feels that the specifications or expectations are met by the delivered product. On the other hand, a client's satisfaction with the process concerns the way how it is executed. A typical issue is the amount, relevance, quality, and timeliness of the information that a client receives during execution on the progress being made. On the other hand, the *internal quality* of a business process related to the process participants' viewpoint. Typical internal quality concerns are: the level that a process participants feels in control of the work performed, the level of variation experienced, and whether working within the context of the business process is felt as challenging. It is interesting to note that there are various direct relations between the quality and other dimensions. For example, the external process quality is often measured in terms of time, e.g., the average cycle time or the percentage of cases where deadlines are missed. In this book, we make the choice that whenever a performance measure refers to time, it is classified under the time dimension even if the measure is also related to quality.

Flexibility The criterion that is least noted to measure the effect of a redesign measure is the flexibility of a business process. Flexibility can be defined in general terms as the ability to react to changes. These changes may concern various parts of the business process, for example:

- The ability of resources to execute different tasks within a business process setting.
- The ability of a business process as a whole to handle various cases and changing workloads.
- The ability of the management in charge to change the used structure and allocation rules.
- The organization's ability to change the structure and responsiveness of the business process to wishes of the market and business partners.

Another way of approaching the performance dimension of flexibility is to distinguish between run time and build time flexibility. *Run time flexibility* concerns the opportunities to handle changes and variations while executing a specific business process. *Build time flexibility* concerns the possibility to change the business process structure. It is increasingly important to distinguish the flexibility of a business process from the other dimensions.

Example 7.1 Let us consider the following scenario.

A restaurant has recently lost many customers due to poor customer service. The management team has decided to address this issue first of all by focusing on the delivery of meals. The team gathered data by asking customers about how quickly they liked to receive their meals and what they considered as an acceptable wait. The data suggested that half of the customers would prefer their meals to be served in 15 minutes or less. All customers agreed that a waiting time of 30 minutes or more is unacceptable.

In this scenario, it appears that the most relevant performance dimension is time, specifically serving time. One objective that distills from the scenario is to completely avoid waiting times above 30 minutes. In other words, the percentage of customers served in less than 30 minutes should be as close as possible to 100 %. Thus, “percentage of customers served in less than 30 minutes” is a relevant performance measure. Another threshold mentioned in the scenario is 15 minutes. There is a choice between aiming to have an average meal serving time below 15 minutes or again, minimizing the number of meals served above 15 minutes. In other words, there is a choice between two performance measures: “average meal delivery time” or “percentage of customers served in 15 minutes”.

This example illustrates that the definition of performance measures is tightly connected to the definition of *performance objectives*. In this respect, one possible method for deriving performance measures for a given process is the following:

1. Formulate performance objectives of the process at a high level, in the form of a desirable state that the process should ideally reach, e.g. “customers should be served in less than 30 minutes”.
2. For each performance objective, identify the relevant performance dimension(s) and aggregation function(s), and from there, define one or more performance measures for the objective in question, e.g. “percentage of customers served in less than 30 minutes”. Let us call this measure ST_{30} .
3. Define a more refined objective based on this performance measure, such as $ST_{30} \geq 99\%$.

During the redesign and implementation phases, a possible additional step is to attach a timeframe to the refined performance objective. For example, one can state that the above performance objective should be achieved in 12 months time. A performance objective with a timeframe associated to it is usually called a *performance target*. At the end of the chosen timeframe, one can assess to what extent the redesigned process has attained its targets.

Exercise 7.1 Consider the travel agency scenario described in Exercise 6.6 (p. 208).

1. Which business processes should the travel agency improve?
2. For each of the business processes you identified above, indicate which performance measure should the travel agency improve.

7.1.2 *Balanced Scorecard*

Another way of classifying and defining performance measures is given by the concept of *Balanced Scorecard*. The Balanced Scorecard is essentially an approach to align the goals and measures that are used to evaluate the work of managers. The main argument behind the Balanced Scorecard is that it is not sufficient to use financial metrics, such as Return-On-Investment (ROI) or operating margin, when evaluating managers. An extreme focus on these measures is in the long-term detriment to the company as it neglects fundamental sources of value, namely the customer, the company's internal structure and the company's employees. Accordingly, the Balanced Scorecard is based on four performance dimensions—each one covering a fundamental concern of a company:

- Financial Measures, e.g. cash flow, to ensure survival, operating margin to ensure shareholder satisfaction.
- Internal Business Measures, e.g. cycle time, to ensure efficiency and low levels of inventory in the case of manufacturing organizations.
- Innovation and Learning Measures, e.g. technology leadership, to ensure competitive advantage and to attract and retain talent.
- Customer Measures, e.g. on-time delivery, to ensure customer satisfaction and loyalty.

The classical way to implement the Balanced Scorecard follows a top-down procedure. It begins with a corporate scorecard, followed by departmental ones with an emphasis on goals and metrics directly affected by the specific department. Process-related measures tend to appear only at the level of heads of units or their subordinates. This classical implementation of the Balanced Scorecard overemphasizes the functional division of organizations not paying enough attention to processes view. Companies implementing the Balanced Scorecard in conjunction with BPM need to carefully consider the relation between the measures in the Balanced Scorecard—both at the corporate level, departmental level and lower levels—and the performance measures associated with their business processes. One way to ensure this

alignment is to implement a Balanced Scorecard structured according to the company's process architecture (cf. Chap. 2). This process-oriented Balanced Scorecard may co-exist with a Balanced Scorecard that is traditionally associated to the company's functional architecture.

In any case, we observe that the Balanced Scorecard is a useful tool for identifying process performance measures across an entire organization. This is in contrast with the method based on performance dimensions outlined in Sect. 7.1.1 is geared towards identifying performance measures for one given process. Thus, this latter method and the Balanced Scorecard are complementary.

7.1.3 Reference Models and Industry Benchmarks

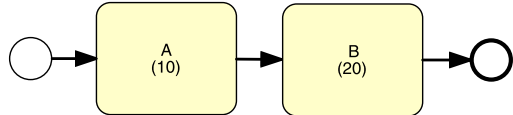
Reference process models—previously mentioned in Chap. 2—provide another basis to identify process performance measures. For instance, within the Supply Chain Operations Reference Model (SCOR), processes and activities in the process hierarchy are linked to performance measures. An example of a performance measure in SCOR is the “Purchase Order Cycle Time”, defined as the “average amount of time (e.g. days) between the moment an intention to purchase is declared and the moment the corresponding purchase order is received by the relevant vendor”. This is basically the average cycle time of a fragment of a procure-to-pay process. Other measures in SCOR deal with inventory management or out-of-stock events. In addition to defining performance measures, SCOR also provides threshold values for each measure that allow a company to compare itself against peers within its industry and to determine whether they are in the top-10 %, top-50 % or bottom-50 % with respect to other companies in their industry sector.

Another relevant framework mentioned in Chap. 2 is APQC's Process Classification Framework (PCF). The primary aim of this framework is to provide a standardized decomposition of processes in an organization together with standardized names and definitions for these processes. As a complement to PCF, APQC has also developed a set of performance measures for the processes included in PCF. This is also a potentially useful tool for performance measure identification.

Yet another example of a reference model that provides a catalog of process performance measures is the *IT Infrastructure Library*—ITIL. ITIL's performance measures include, for example, “Incidents due to Capacity Shortages” defined as the “number of incidents occurring because of insufficient service or component capacity”. This performance measure is linked to ITIL's Capacity Management process area, which includes a number of inter-related processes to manage the capacity of IT processes or components of an IT system.

Other reference models that provide catalogs of process performance measures include DCOR (Design Chain Operations Reference model) and eTOM (Enhanced Telecom Operations Map).

Fig. 7.1 Fully sequential process model



7.2 Flow Analysis

Flow analysis is a family of techniques that allow us to estimate the overall performance of a process given some knowledge about the performance of its activities. For example, using flow analysis we can calculate the average cycle time of an entire process if we know the average cycle time of each activity. We can also use flow analysis to calculate the average cost of a process instance knowing the cost-per-execution of each activity, or calculate the error rate of a process given the error rate of each activity.

In order to understand the scope and applicability of flow analysis, we start by showing how flow analysis can be used to calculate the average cycle time of a process. As a shorthand, we will use the term *cycle time* to refer to *average cycle time* in the rest of this chapter.

7.2.1 Calculating Cycle Time Using Flow Analysis

We recall that the cycle time of a process is the average time it takes between the moment the process starts and the moment it completes. By extension, we say that the cycle time of an activity is the average time it takes between the moment the activity is ready to be executed and the moment it completes.

To understand how flow analysis works, it is useful to start with an example of a purely sequential process as in Fig. 7.1. The cycle time of each activity is indicated between brackets. Since the two activities in this process are performed one after the other, we can intuitively conclude that the cycle time of this process is $20 + 10 = 30$. More generally, it is quite intuitive that the cycle time of a purely sequential fragment of a process is the sum of the cycle times of the activities in the fragment.

When a process model or a fragment of a model contains gateways, the cycle time is no longer the sum of the activity cycle times. Let us consider the example shown in Fig. 7.2. Here, it is clear that the cycle time of the process is not 40 (the sum of the activity cycle times). Indeed, in a given instance of this process, either activity B or activity C is performed. If B is performed, the cycle time is 30, while if C is performed, the cycle time is 20.

Whether the cycle time of this process is closer to 20 or closer to 30 depends on how frequently each branch of the XOR-split is taken. For instance, if in 50 % of instances the upper branch is taken and the remaining 50 % of instances the lower branch is taken, the overall cycle time of the process is 25. However, if the

Fig. 7.2 Process model with XOR-block

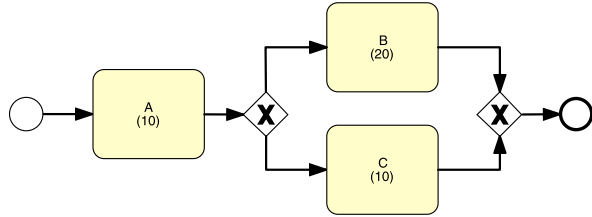
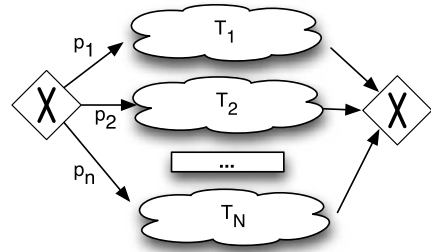


Fig. 7.3 XOR-block pattern



upper branch is taken only 10 % of the times and the lower branch is taken 90 % of the times, the cycle time should be intuitively closer to 30. Generally speaking, the cycle time of the fragment of the process between the XOR-split and the XOR-join is the weighted average of the cycle times of the branches in-between. Thus, if the lower branch has a frequency of 10 % and the upper branch has a frequency of 90 %, the cycle time of the fragment between the XOR-split and the XOR-join is: $0.1 \times 10 + 0.9 \times 20 = 19$. We then need to add the cycle time of activity A (which is always executed) in order to obtain the total cycle time, that is, $10 + 19 = 29$. In the rest of this chapter, we will use the term *branching probability* to denote the frequency with which a given branch of a decision gateway is taken.

In more general terms, the cycle time of a fragment of a process model with the structure shown in Fig. 7.3 is

$$CT = \sum_{i=1}^n p_i \times T_i \tag{7.1}$$

In Fig. 7.3, p_1, p_2 , etc. are the branching probabilities. Each “cloud” represents a fragment that has a single entry flow and a single exit flow. The cycle times of these nested fragments are T_1, T_2 , etc. Hereon, this type of fragment is called a *XOR-block*.

Let us now consider the case where parallel gateways are involved as illustrated in Fig. 7.4.

Again, we can observe that the cycle time of this process cannot be 40 (the sum of the activity cycle times). Instead, since tasks B and C are executed in parallel, their combined cycle time is determined by the slowest of the two activities, that is,

Fig. 7.4 Process model with AND-block

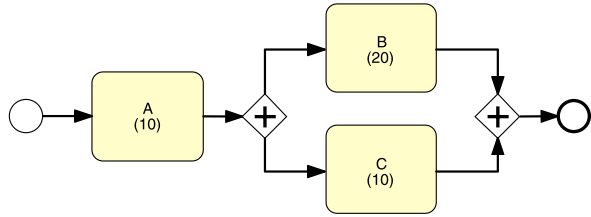


Fig. 7.5 AND-block pattern

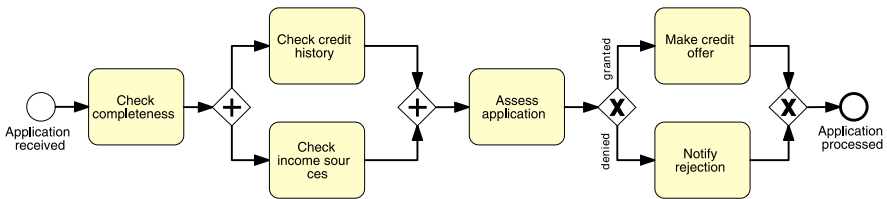
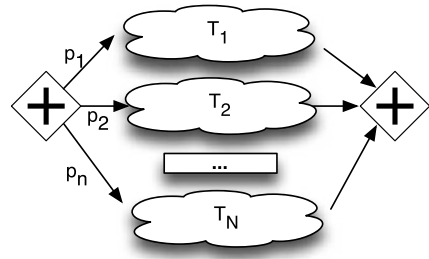


Fig. 7.6 Credit application process

by C. Thus, the cycle time of the process shown in Fig. 7.4 is $10 + 20 = 30$. More generally, the cycle time of an AND-block such as the one shown in Fig. 7.5 is

$$CT = \text{Max}(T_1, T_2, \dots, T_n) \tag{7.2}$$

Example 7.2 Let us consider the credit application process model in Fig. 7.6 and the activity cycle times given in Table 7.1. Let us also assume that in 60 % of cases, the credit is granted.

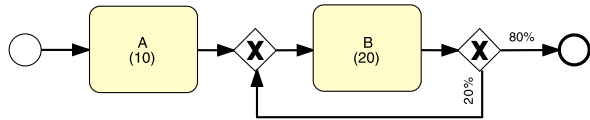
To calculate the cycle time of this process, we first note that the cycle time of the AND-block is 3 days (slowest activity). Next, we calculate the cycle time of the fragment between the XOR-block using (7.1), that is, $0.6 \times 1 + 0.4 \times 2 = 1.4$ days. The total cycle time is then $1 + 3 + 3 + 1.4 = 8.4$ days.

In this example the cycle time is in great part determined by task “Check income sources”, which is the one that determines the cycle time of the fragment between the AND-split and the AND-join. In this case, we say that this task is part of the *critical path* of the process. The critical path of a process is the sequence of tasks that determines the cycle time of the process, meaning that the cycle time of any instance of the process is never lower than the sum of the cycle times of this sequence of

Table 7.1 Cycle times for credit application process

Activity	Cycle time
Check completeness	1 day
Check credit history	1 day
Check income sources	3 days
Assess application	3 days
Make credit offer	1 day
Notify rejection	2 days

Fig. 7.7 Example of a rework loop



tasks. When optimizing a process with respect to cycle time, one should focus the attention on tasks that belong to the critical path.

Exercise 7.2 Consider the process model given in Fig. 3.8 (p. 73). Calculate the cycle time under the following assumptions:

- Each task in the process takes 1 hour on average.
- In 40 % of the cases the order contains only Amsterdam products.
- In 40 % of the cases it contains only Hamburg products.
- In 20 % of the cases it contains products from both warehouses.

Compare the process model in Fig. 3.8 (p. 73) with the one in Fig. 3.10 (p. 74). Does this comparison give you an idea of how to calculate cycle times for process models with OR gateways?

Another recurrent case worth considering is the case where a fragment of a process may be repeated multiple times. This situation is called *rework* and is illustrated in Fig. 7.7. Here the decimal numbers attached to the arcs denote the probability that the corresponding arc will be taken. For sure, we can say that activity B will be executed once. Next, we can say that activity B may be executed twice with a probability of 20 % (i.e. 0.2), which is the probability of going back from the XOR-split gateway to the XOR-join gateway. If we continue this reasoning, we find out that the probability that task B is executed three times is $0.2 \times 0.2 = 0.04$, and more generally, the probability that task B is executed N times is 0.2^N .

If we sum up the cycle times in the cases where B is executed once, twice, three times, etc., we get the following summation $\sum_{i=0}^{\infty} 0.2^i$. In essence, this is the number of times that B is expected to be executed. If we replace 0.2 with a variable r , this summation is a well-known series, known as the *geometric series* and it can be shown that this series is equivalent to $1/(1 - r)$. Hence, the average number of times that B is expected to be executed is $1/(1 - 0.2) = 1.25$. Now, if we multiply

Fig. 7.8 Rework pattern

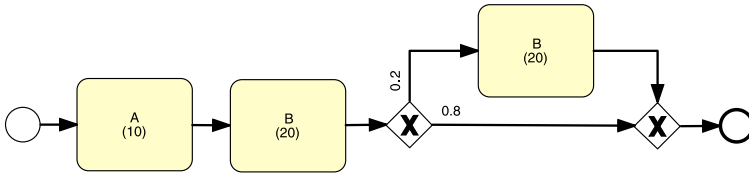
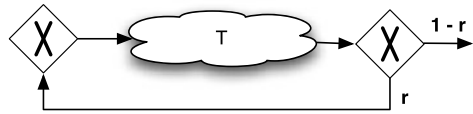


Fig. 7.9 Activity that is reworked at most once

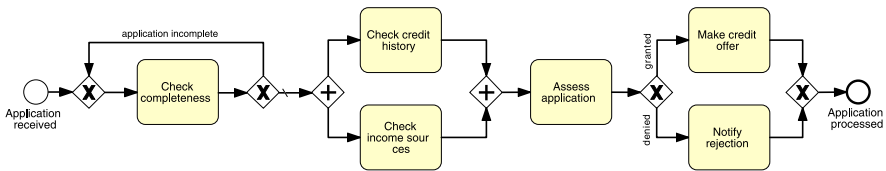


Fig. 7.10 Credit application process with rework

this expected number of instances of B times the cycle time of activity B, we get $1.25 \times 20 = 25$. Thus the total cycle time of the process in Fig. 7.7 is $10 + 25 = 35$.

More generally, the cycle time of the fragment with the structure shown in Fig. 7.8 is

$$CT = \frac{T}{1 - r}. \tag{7.3}$$

In this formula, parameter r is called the *rework probability*, that is, the probability that the fragment inside the cycle will need to be reworked. From here on, this type of block will be called a *rework block*, or more generally a *repetition block*.

In some scenarios, an activity is reworked at most once. This situation would be modeled as shown in Fig. 7.9. Using what we have seen, we can already calculate the cycle time of this example. First, we observe that the cycle time of the fragment between the XOR-split and the XOR-join is $0.2 \times 20 + 0.8 \times 0 = 4$. Here, the zero comes from the fact that one of the branches between the XOR-split and the XOR-join is empty and therefore does not contribute to the cycle time. To complete this, we have to add the cycle time of the preceding activities, giving us a total cycle time of 34.

Example 7.3 Let us consider the credit application process model in Fig. 7.10 and the cycle times previously given in Table 7.1. Let us also assume that in 20 % of the cases, the application is incomplete and in 60 % of cases the credit is granted.

The cycle time of the rework block is $10/(1 - 0.2) = 1.25$ days. The cycle time of the AND-block is 3 days and that of the XOR-block is 1.4 days as discussed in Example 7.2. Thus the total cycle time is $1.25 + 3 + 3 + 1.4 = 8.65$ days.

7.2.2 Cycle Time Efficiency

As previously mentioned, the cycle time of an activity or of a process can be divided into *waiting time* and *processing time*. Waiting time is the portion of the cycle time where no work is being done to advance the process. This includes time spent in transferring information about the case between process participants, like for example when documents are exchanged by post, as well as time when the case is waiting for an actor to process it. Processing time on the other hand refers to the time that actors spend doing actual work. In many if not most processes, the waiting time makes up a considerable proportion of the overall cycle time. There are a variety of reasons for this phenomenon. For example, this situation may happen because work is performed in batches. In a process related to the approval of purchase requisitions at a company, the supervisor responsible for such approvals in a business unit might choose to batch all applications and check them only once at the start or the end of a working day. Also, sometimes waiting time is spent waiting for an external actor to provide some input for a task. For example, in the context of fulfilling a medical prescription, a pharmacist may require a clarification from the doctor. To do so, the pharmacist would try to call the doctor. But the doctor might be unavailable and so the pharmacist needs to put the prescription aside and wait until the doctor returns the call.

When analyzing a process with the aim of addressing issues related to cycle time, it may be useful to start by evaluating the ratio of overall processing time relative to the overall cycle time. This ratio is called *cycle time efficiency*. A cycle time efficiency close to 1 indicates that there is little room for improving the cycle time unless relatively radical changes are introduced in the process. A ratio close to zero indicates that there is a significant amount of room for improving cycle time by reducing the waiting time, for example due to handovers between participants.

The cycle time efficiency of a process can be calculated as follows. First, we need to determine the cycle time and the processing time of each activity. Given this information, we can then calculate the overall cycle time of the process using the same formulas we saw above. Let us call this amount *CT*. Next, using the same formulas, we can calculate the overall amount of time that is spent doing actual work. This is called the *theoretical cycle time* of the process. Essentially, this is the amount of time that an instance of the process would take if there was no waiting time at all. To calculate the theoretical cycle time, we apply the same method as for calculating cycle time, but instead of using the cycle time of each activity, we use the processing time of each activity. Let us call the theoretical cycle time *TCT*. The cycle time efficiency (CTE) is then calculated as follows:

$$CTE = \frac{TCT}{CT}$$

Example 7.4 Let us consider the credit application process model in Fig. 7.10 and the processing times given in Table 7.2. The activity cycle times (including both waiting and processing time) are those previously given in Table 7.1. Let us assume

Table 7.2 Processing times for credit application process

Activity	Cycle time
Check completeness	2 hours
Check credit history	30 minutes
Check income sources	3 hours
Assess application	2 hours
Make credit offer	2 hours
Notify rejection	30 minutes

Table 7.3 Activity cycle times and processing times for ministerial enquiry process

Activity	Cycle time	Processing time
Register ministerial enquiry	2 days	30 mins
Investigate ministerial enquiry	8 days	12 hours
Prepare ministerial response	4 days	4 hours
Review ministerial response	4 days	2 hour

that in 20 % of cases, the application is incomplete and in 60 % of cases the credit is “granted”. Let us additionally assume that one day is equal to 8 working hours.

We have seen in Example 7.3 that the total cycle time of this process is 8.65 days, which translates to 69.2 working hours. We now calculate the theoretical cycle time in the same way as the total cycle time but using the processing times given in Table 7.2. This gives us: $2/(1 - 0.2) + 3 + 2 + 0.6 \times 2 + 0.4 \times 0.5 = 9.9$ working hours. The cycle time efficiency is thus $8.9/69.2 = 12.9 \%$.

Exercise 7.3 Calculate the overall cycle time, theoretical cycle time and cycle time efficiency of the ministerial enquiry process introduced in Exercise 3.7 (p. 77). Assume that the rework probability is 0.2 and that the waiting times and processing times are those given in Table 7.3.

7.2.3 Cycle Time and Work-In-Process

Cycle time is directly related to two measures that play an important role when analyzing a process, namely *arrival rate* and *Work-In-Process (WIP)*.

The arrival rate of a process is the average number of new instances of the process that are created per time unit. For example, in a credit application process, the arrival rate is the number of credit applications received per day (or any other time unit we choose). Similarly, in an order-to-cash process, the arrival rate is the average number of new orders that arrive per day. Traditionally, the symbol λ is used to refer to the arrival rate.

Meanwhile, WIP is the average number of instances of a process that are active at a given point in time, meaning the average number of instances that have not

yet completed. For example, in a credit application process, the WIP is the average number of credit applications that have been submitted and not yet granted or rejected. Similarly, in an order-to-cash process, the WIP is the average number of orders that have been received but not yet delivered and paid.

Cycle time (CT), arrival rate (λ) and WIP are related by a fundamental law known as Little's law, which states that:

$$WIP = \lambda \times CT$$

Basically what this law tells us is that:

- WIP increases if the cycle time increases or if the arrival rate increases. In other words, if the process slows down—meaning that its cycle time increases—there will be more instances of the process active concurrently. Also, the faster new instances are created, the higher will be the number of instances in an active state.
- If the arrival rate increases and we want to keep the WIP at current levels, the cycle time must decrease.

Little's law holds for any stable process. By stable, we mean that the number of active instances is not increasing infinitely. In other words, in a stable process, the amount of work waiting to be performed is not growing beyond control.

Although simple, Little's law can be an interesting tool for what-if analysis. We can also use Little's law as an alternative way of calculating total cycle time of a process if we know the arrival rate and WIP. This can be useful sometimes because determining the arrival rate and WIP is sometimes easier than determining the cycle time. For example, in the case of the credit application process, the arrival rate can be easily calculated if we know the total number of applications processed over a period of time. For example, if we assume there are 250 business days per year and we know the total number of credit applications over the last year is 2500, we can infer that the average number of applications per business day is 10. WIP on the other hand can be calculated by means of sampling. We can ask how many applications are active at a given point in time, then ask this question again one week later and again two weeks later. Let us assume that on average we observe that 200 applications are active concurrently. The cycle time is then $WIP/\lambda = 200/10 = 20$ business days.

Exercise 7.4 A restaurant receives on average 1,200 customers per day (between 10am and 10pm). During peak times (12pm to 3pm and 6pm to 9pm), the restaurant receives around 900 customers in total and, on average, 90 customers can be found in the restaurant at a given point in time. At non-peak times, the restaurant receives 300 customers in total and, on average, 30 customers can be found in the restaurant at a given point in time.

- What is the average time that a customer spends in the restaurant during peak times?
- What is the average time that a customer spends in the restaurant during non-peak times?

- The restaurant's premises have a maximum capacity of 110 customers. This maximum capacity is sometimes reached during peak times. The restaurant manager expects that the number of customers during peak times will increase slightly in the coming months. What can the restaurant do to address this issue without investing in extending its building?

7.2.4 Other Applications and Limitations of Flow Analysis

As mentioned earlier, flow analysis can also be used to calculate other performance measures besides cycle time. For example, assuming we know the average cost of each activity, we can calculate the cost of a process more or less in the same way as we calculate cycle time. In particular, the cost of a sequence of activities is the sum of the costs of these activities. Similarly the cost of an XOR-block is the weighted average of the cost of the branches of the XOR-block, and the cost of a rework pattern such as the one shown in Fig. 7.8 is the cost of the body of the loop divided by $1 - r$. The only difference between calculating cycle time and calculating cost relates to the treatment of AND-blocks. The cost of an AND-block such as the one shown in Fig. 7.5 is not the maximum of the cost of the branches of the AND-block. Instead, the cost of such a block is the sum of the costs of the branches. This is because after the AND-split is traversed, every branch in the AND join is executed and therefore the costs of these branches add up to one another.

Example 7.5 Let us consider again the credit application process model in Fig. 7.10 and the processing times given in Table 7.2. As previously, we assume that in 20 % of cases, the application is incomplete and in 60 % of cases the credit is granted. We further assume that activities “Check completeness”, “Check credit history” and “Check income sources” are performed by a clerk, while activity “Assess application”, “Make credit offer” and “Notify rejection” are performed by a credit officer. The hourly cost of a clerk is 25 while the hourly cost of a credit officer is 50. Performing a credit history requires that the bank submits a query to an external system. The bank is charged € 1 per query by the provider of this external system.

From this scenario, we can see that the cost of each task can be split into two components: the *human resource cost* and *other costs*. The human resource cost is the cost of the human resource(s) that performs the task. This can be calculated as the product of the hourly cost of the resource and the processing time (in hours) of the task. Other costs correspond to costs that are incurred by an execution of a task, but are not related to the time spent by human resources in the task. In this example, the cost per query to the external system would be classified as “other costs” for task “Check credit history”. The remaining tasks do not have an “other cost” component. For the example at hand, the breakdown of resource cost, other cost and total cost per task is given in Table 7.4. Given this input, we can calculate the total cost-per-execution of the process as follows: $50/(1 - 0.2) + 13.5 + 75 + 100 + 0.6 \times 100 + 0.4 \times 25 = 321$.

Table 7.4 Cost calculation table for credit application process

Activity	Resource cost	Other cost	Total cost
Check completeness	$2 \times 25 = 50$	0	50
Check credit history	$0.5 \times 25 = 12.5$	1	13.5
Check income sources	$3 \times 25 = 75$	0	75
Assess application	$2 \times 50 = 100$	0	50
Make credit offer	$2 \times 50 = 100$	0	100
Notify rejection	$0.5 \times 50 = 25$	0	25

Exercise 7.5 Calculate the cost-per-execution of the ministerial enquiry process introduced in Exercise 3.7 (p. 77). Assume that the rework probability is 0.2 and that the times are those given in Table 7.3. Activity “Register ministerial enquiry” is performed by a clerk, activity “Investigate ministerial enquiry” is performed by an adviser, “Prepare ministerial response” is performed by a senior adviser, and “Review ministerial response” is performed by a minister counselor. The hourly resource cost of a clerk, adviser, senior adviser and minister counselor are 25, 50, 75, and 100, respectively. There are no other costs attached to these activities besides the resource costs.

Before closing the discussion on flow analysis, it is important to highlight some of its pitfalls and limitations. First of all, we should note that the equations presented in Sect. 7.2.1 do not allow us to calculate the cycle time of any process model. In fact, these equations only work in the case of block-structured process models. In particular, we cannot use these equations to calculate the cycle time of an unstructured process model such as the one shown in Exercise 3.9 (p. 93). Indeed, this example does not fit into any of the patterns we have seen above. Calculating the cycle time in this case is trickier. Also, if the model contains other modeling constructs besides AND and XOR gateways, the method for calculating cycle time becomes more complicated.

Fortunately, this is not a fundamental limitation of flow analysis, but only a limitation of the specific set of equations discussed in Sect. 7.2.1. There are other more sophisticated flow analysis techniques that allow us to calculate the cycle time of virtually any process model. The maths can get a bit more complex and in practice, one would not do such calculations by hand. But this is generally not a problem given that several modern process modeling tools include functionality for calculating cycle time, cost, and other performance measures of a process model using flow analysis.

A more fundamental roadblock faced by analysts when applying flow analysis is the fact that they first need to estimate the average cycle time of each activity in the process model. In fact, this obstacle is typical when applying any quantitative process analysis technique. There are at least two approaches to address this obstacle. The first one is based on interviews or observation. In this approach, analysts interview the stakeholders involved in each task or they observe how the stakeholders work during a given day or period of time. This allows analysts to at least make

an “informed guess” regarding the average time a case spends in each activity, both in terms of waiting time and processing time. A second approach is to collect logs from the information systems used in the process. For example, if a given activity such as approving a purchase requisition is performed by means of an internal Web portal (an Intranet), the administrators of the portal should be able to extract logs from this portal that would allow the analyst to estimate the average amount of time that a requisition form spends in “waiting for approval” mode and also the average time between the moment the supervisor opens a purchase requisition for approval and the time they approve it. With careful analysis, these logs can provide a wealth of information that can be combined via flow analysis to get an overall picture of which parts of the process consume the most time.

A major limitation of flow analysis is that it does not take into account the fact that a process behaves differently depending on the load, that is, depending on the amount of instances of the process that are running concurrently. Intuitively, the cycle time of a process for handling insurance claims would be much slower if the insurance company is handling thousands of claims at once, due for example to a recent natural disaster such as a storm, versus the case where the load is low and the insurance company is only handling a hundred claims at once. When the load goes up and the number of resources (e.g. claim handlers) remains relatively constant, it is clear that the waiting times are going to be longer. This is due to a phenomenon known as *resource contention*. Resource contention occurs when there is more work to be done than resources available to perform the work, like for example more claims than insurance claim handlers. In such scenarios, some tasks will be in waiting mode until one of the necessary resources are freed up. Flow analysis does not take into account the effects of increased resource contention. Instead, the estimates obtained from flow analysis are only applicable if the level of resource contention remains relatively stable over the long-run.

7.3 Queues

Queueing theory is a collection of mathematical techniques to analyze systems that have resource contention. Resource contention inevitably leads to queues as we all probably have experienced in supermarket check-out counters, at a bank’s office, post office or government agency. Queueing theory gives us techniques to analyze important parameters of a queue such as the expected length of the queue or the expected waiting time of an individual case in a queue.

7.3.1 Basics of Queueing Theory

In basic queueing theory, a *queueing system* is seen as consisting of one or multiple *queues* and a *service* that is provided by one or multiple *servers*. The elements inside

a queue are called *jobs* or *customers*, depending on the specific context. For example, in the case of a supermarket, the service is that of checking out. This service is provided by multiple cashiers (the servers). Meanwhile, in the case of a bank office, the service is to perform a banking transaction, the servers are tellers, and there is generally a single queue that leads to multiple servers (the tellers). These two examples illustrate an important distinction between multi-line (i.e. multi-queue) queueing systems (like the supermarket) and single-line queueing systems (like the bank office).

Queueing theory provides a very broad set of techniques. It would be unrealistic to introduce all these techniques in this chapter. So instead of trying to present everything that queueing theory has to offer, we will present two queueing theory models that are relatively simple, yet useful when analyzing business processes or activities within a process.

In the two models we will be presenting, there is a single queue (single-line queueing system). Customers come at a given mean arrival rate that we will call λ . This is the same concept of arrival rate that we discussed above when presenting Little's law. For example, we can say that customers arrive at the bank office at a mean rate of 20 per hour. This implies that, on average, one customer arrives every 5 minutes ($\frac{1}{20}$ hour). This latter number is called the mean *inter-arrival time*. We observe that if λ is the arrival rate per time unit, then $1/\lambda$ is the mean inter-arrival time.

It would be illusory to think that the time between the arrival of two customers at the post office is always 5 minutes. This is just the mean value. In practice, customers arrive independently from one another, so the time between the arrival of one customer and the arrival of the next customer is completely random. Moreover, let us say that the time between the arrival of the first customer and the arrival of the second customer is 1 minute. This observation does not tell us absolutely anything about the time between the arrival of the second customer and the arrival of the third customer. It might be that the third customer arrives 1 minute after the second, or 5 minutes or 10 minutes. We will not know until the third customer arrives.

Such an arrival process is called a *Poisson process*. In this case, the distribution of arrivals between any two consecutive customers follows a so-called *exponential distribution* (specifically a *negative exponential distribution*) with a mean of $1/\lambda$. In a nutshell, this means that the probability that the inter-arrival time is exactly equal to t (where t is a positive number) decreases in an exponential manner when t increases. For instance, the probability of the time of inter-arrival time being 10 is considerably smaller than the probability of the inter-arrival time being 1. Hence, shorter inter-arrival times are much more probable than longer ones, but there is always a probability (perhaps a very small one) that the inter-arrival time will be a large number.

In practice, the Poisson process and the exponential distribution describe a large class of arrival processes that can be found in business processes, so we will be using them to capture the arrival of jobs or customers into a business process or an activity in a business process. The Poisson process can also be observed for example when

we examine how often cars enter a given segment of a highway, or how often calls go through a telephone exchange.

Having said this, one must always cross-check that cases arrive to a given process or activity in an exponentially distributed manner. This cross-check can be done by recording the inter-arrival times for a given period of time, and then feeding these numbers into a statistical tool such as for example R, Mathworks's Statistical Toolbox or EasyFit. These tools allow one to input a set of observed inter-arrival times and check if it follows a negative exponential distribution.

Exponential distributions are not only useful when modeling the inter-arrival time. They are also in some cases useful when describing the processing time of an activity.¹ In the case of activities that require a diagnosis, a non-trivial verification or some non-trivial decision making, it is often the case that the activity's processing time is exponentially distributed. Take for example the amount of time it takes for a mechanic to make a repair on a car. Most repairs are fairly standard, and the mechanics might take for example one hour to do them. However, some repairs are very complex, and in such cases, it can take the mechanic several hours to complete. A similar remark can be made of a doctor receiving patients in an emergency room. A large number of emergencies are quite standard and can be dispatched in less than an hour, but some emergencies are extremely complicated and can take hours to deal with. So it is likely that such activities will follow an exponential distribution. As mentioned above, when making such a hypothesis, it is important that you first check it by taking a random sample of processing times and feeding them to a statistical tool.

In the queueing theory field, a single-queue system is called an *M/M/1 queue* if the inter-arrival times of customers follow an exponential distribution, the processing times follow an exponential distribution, there is one single server and jobs are served on a First-In-First-Out (FIFO) basis. In the case of M/M/1 queue, we also assume that when a job arrives, it enters the queue and it stays there until it is taken on by the server.

If the above conditions are satisfied, but there are multiple servers instead of a single server, the queueing system is said to be *M/M/c*, where *c* is number of servers. For example, a queue is M/M/5 if the inter-arrival times of customers follow an exponential distribution, the processing times follow an exponential distribution and there are five servers at the end of the queue. The "M" in this denomination stands for "Markovian", which is the name given to the assumptions that inter-arrival times and processing times follow an exponential distribution. Other queueing models exist that make different assumptions. Each such model is different, so the results we will obtain for an M/M/1 or M/M/c queue are quite different from those we would obtain from other distributions.

¹In queueing theory, the term service time is used instead of processing time. For uniformity purposes, here we use the term processing time.

7.3.2 M/M/1 and M/M/c Models

To summarize the previous discussion, an M/M/1 queue or M/M/c queue can be defined by means of the following parameters:

- λ —the mean arrival rate per time unit. The mean inter-arrival time is then $1/\lambda$. For example, $\lambda = 5$ means that there are 5 arrivals per hour and this entails that the mean inter-arrival time between two consecutive jobs is $1/5$ hours, that is 12 minutes.
- μ —the mean number of customers that can be served per time unit. The mean processing time per job is then $1/\mu$. For example, $\mu = 6$ means six jobs are served per hour, that is, one job is served in 10 minutes (on average).
- In the case of M/M/c, the number of servers (c).

Given parameters λ and μ , we can already state how busy a server is. This is called the occupation rate ρ and is equal to λ/μ . In the above example, the occupation rate is $5/6 = 83.34\%$. It should be noted that this is a relatively high occupation rate. A system with an occupation rate of more than 100% is unstable, meaning that the queue will become longer and longer forever because the server cannot cope with all the demand. In fact, even a system at close to 100% of occupation rate is unstable because of the randomness at which new jobs arrive and the variability in the processing times per job. To understand why this is the case, just imagine if you were a doctor receiving patients at a rate of 6 per hour for 8 hours, knowing that every patient takes 10 minutes on average to be treated (sometimes less but sometimes more). Without any slack, most likely you will end up with a tremendous backlog at the end of the day.

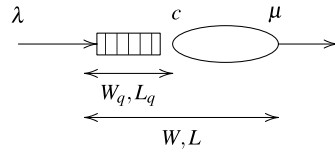
In the case of an M/M/c system, the occupancy rate is $\frac{\lambda}{c\mu}$ since the system can handle jobs at a rate of $c\mu$. For example, if the system has two servers and each server can handle two jobs per hour, the system can handle four jobs per hour. If jobs arrive at a mean rate of 3 per hour, the occupancy rate of the system is $3/4 = 75\%$.

Given an M/M/1 or M/M/c system, queueing theory allows us to calculate the following parameters:

- L_q —The average number of jobs (e.g. customers) in the queue.
- W_q —The average time one job spends in the queue.
- W —The average time one job spends in the system. This includes both the time the customer spends in the queue but also the time the customer spends being serviced.
- L —The average number of jobs in the system (i.e. the Work-in-Progress referenced in Little's law).

To summarize, the general structure of a single-queue system—consisting of one queue and one or many servers—is depicted in Fig. 7.11. The parameters of the queue (λ , c and μ) are shown at the top. The parameters that can be computed from these three input parameters are shown under the queue and the server. The average time a job waits in the queue is W_q , while the average length of the queue is L_q . Eventually, a job goes into the server and in there it spends on average $1/\mu$

Fig. 7.11 Structure of an M/M/1 or M/M/c system, input parameters and computable parameters



time units. The average time between the moment a job enters the system and the moment it exits is W , while the average number of jobs inside the system (in the queue or in a server) is L .

Queueing theory gives us the following formulas for calculating the above parameters for M/M/1 models:

$$L_q = \rho^2 / (1 - \rho) \tag{7.4}$$

$$W_q = \frac{L_q}{\lambda} \tag{7.5}$$

$$W = W_q + \frac{1}{\mu} \tag{7.6}$$

$$L = \lambda W \tag{7.7}$$

Formulas (7.5), (7.6), and (7.7) can be applied to M/M/c models as well. The only parameter that needs to be calculated differently in the case of M/M/c models is L_q . For M/M/c models, L_q is given by the following formula:

$$L_q = \frac{(\lambda/\mu)^c \rho}{c!(1 - \rho)^2 \left(\frac{(\lambda/\mu)^c}{c!(1-\rho)} + \sum_{n=0}^{c-1} \frac{(\lambda/\mu)^n}{n!} \right)} \tag{7.8}$$

The formula for computing L_q in the case of M/M/c models is particularly complicated because of the summations and factorials. Fortunately, there are tools that can do this for us. For example, the Queueing Toolpack² supports calculations for M/M/c systems (called *M/M/s* in the Queueing Toolpack) as well as M/M/c/k systems, where k is the maximum number of jobs allowed in the queue. Jobs that arrive when the length of the queue is k are rejected (and may come back later). Other tools for analyzing queueing systems include QSim³ and PDQ.⁴

Example 7.6 A company designs customized electronic hardware for a range of customers in the high-tech electronics industry. The company receives orders for designing a new circuit every 20 working days on average. It takes a team of engineers on average 10 working days to design a hardware.

This problem can be mapped to an M/M/1 model assuming that the arrival of designs follows a Poisson process, that the distribution of times for designing a circuit follows an exponential distribution and that new design requests are handled

²<http://apps.business.ualberta.ca/aingolfsson/qtp/>.

³<http://www.stat.auckland.ac.nz/~stats255/qsim/qsim.html>.

⁴<http://www.perfdynamics.com/Tools/PDQ.html>.

on a FIFO manner. Note that even though the team includes several people, they act as a monolithic entity and therefore it should be treated as a single server.

We will hereby take the working day as a time unit. On average, 0.05 orders are received per day ($\lambda = 0.05$), and 0.2 orders are fulfilled per day ($\mu = 0.1$). Thus, the occupation rate of this system $\rho = 0.05/0.1 = 0.5$. Using the formulas for M/M/1 models, we can deduce that the average length of the queue L_q is: $0.5^2/(1 - 0.5) = 0.5$ orders. From there we can conclude that the average time an order spends on the queue is $W_q = 0.5/0.05 = 10$ days. Thus, it takes on average order $W = 10 + 1/0.1 = 20$ working days for an order to be fulfilled.

Exercise 7.6 Consider now the case where the engineering team in the previous example takes 16 working days to design a hardware. What is then the average amount of time an order takes to be fulfilled?

Exercise 7.7 An insurance company receives 220 calls per day from customers who want to lodge an insurance claim. The call center is open from 8am to 5pm. The arrival of calls follows a Poisson process. Looking at the intensity of arrival of calls, we can distinguish three periods during the day: the period 8am to 11am, the period 11am to 2pm and the period 2pm to 5pm. During the first period, around 60 calls are received. During the 11am–2pm period, 120 calls are received, and during the 2pm–5pm period, 40 calls are received. A customer survey has shown that customers tend to call between 11am and 2pm because during this time they have a break at work and they take advantage of their break to make their personal calls.

Statistical analysis shows that the durations of calls follow an exponential distribution.

According to the company's customer service charter, customers should wait no more than one minute on average for their call to be answered.

- Assume that the call center can handle 70 calls per hour using seven call center agents. Is this enough to meet the 1-minute constraint set in the customer service charter? Please explain your answer by showing how you calculate the average length of the queue and the average waiting time.
- What happens if the call center's capacity is increased so that it can handle 80 calls per hour (using eight call center agents)?
- The call center manager has been given a mandate to cut costs by at least 20 %. Give at least two ideas to achieve this cut without reducing the salaries of the call center agents and while keeping an average waiting time below or close to one minute.

7.3.3 Limitations of Basic Queueing Theory

The basic queueing analysis techniques presented above allow us to estimate waiting times and queue length based on the assumptions that inter-arrival times and processing times follow an exponential distribution. When these parameters follow

different distributions, one needs to use very different queueing models. Fortunately, queueing theory tools nowadays support a broad range of queueing models and of course they can do the calculations for us. The discussion above was intended as an overview of single-queue models, with the aim of providing a starting point from where you can learn more about this family of techniques.

A more fundamental limitation of the techniques introduced in this section is that they only deal with one activity at a time. When we have to analyze an entire process that involves several activities, events, and resources, these basic techniques are not sufficient. There are many other queueing analysis techniques that could be used for this purpose, like for example queueing networks. Essentially, queueing networks are systems consisting of multiple inter-connected queues. However, the maths behind queueing networks can become quite complex, especially when the process includes concurrent activities. A more popular approach for quantitative analysis of process models under varying levels of resource contention is process simulation, as discussed below.

7.4 Simulation

Process simulation is arguably the most popular and most widely supported technique for quantitative analysis of process models. The basic idea underpinning process simulation is quite simple. In essence, a process simulator generates a large number of hypothetical instances of a process, executes these instances step-by-step, and records each step in this execution. The output of a simulator typically includes the logs of the simulation as well as some statistics related to cycle times, average waiting times and average resource utilization.

7.4.1 Anatomy of a Process Simulation

During a process simulation, the tasks in the process are not actually executed. Instead, the simulation of a task proceeds as follows. When a task is ready to be executed, a so-called *work item* is created and the simulator first tries to find a resource to which it can assign this work item. If no resource able to perform the work item is found, the simulator puts the work item in waiting mode until a suitable resource is freed up. Once a resource is assigned to a work item, the simulator determines the duration of the work item by drawing a random number according to the probability distribution of the task's processing time. This probability distribution and the corresponding parameters need to be defined in the simulation model.

Once the simulator has determined the duration of a work item, it puts the work item in sleeping mode for that duration. This sleeping mode simulates the fact that the task is being executed. Once the time interval has passed (according to the simulation's clock), the work item is declared to be completed, and the resource that was assigned to it becomes available.

In reality, the simulator does not effectively wait for tasks to come back from their sleeping mode. For example, if the simulator determines that the duration of a work item is 2 days and 2 hours, it will not wait for this amount of time to pass by. You can imagine how long a simulation would take if that was the case. Luckily, simulators use smart algorithms to complete the simulation as fast as possible. Modern business process simulators can effectively simulate thousands of process instances and tens of thousands of work items in a matter of seconds.

For each work item created during a simulation, the simulator records the identifier of the resource that was assigned to this instance as well as three time stamps:

- The time when the task was ready to be executed.
- The time when the task was started, meaning that it was assigned to a resource.
- The time when the task completed.

Using the collected data, the simulator can compute the average waiting time for each task. These measures are quite important when we try to identify bottlenecks in the process. Indeed, if a task has a very high average waiting time, it means that there is a bottleneck at the level of this task. The analyst can then consider several options for addressing this bottleneck.

Additionally, since the simulator records which resources perform which work items and it knows how long each work item takes, the simulator can find out the total amount of time during which a given resource is busy handling work items. By dividing the amount of time that a resource was busy during a simulation by the total duration of the simulation, we obtain the *resource utilization*, that is, the percentage of time that the resource is busy on average.⁵

7.4.2 *Input for Process Simulation*

From the above description of how a simulation works, we can see that the following information needs to be specified for each task in the process model in order to simulate it:

- Probability distribution for the processing time of each task.
- Other performance attributes for the task such as cost and added-value produced by the task.
- The set of resources that are able to perform the task. This set is usually called a *resource pool*. For example, a possible resource pool could be the “Claim Handlers” or “Clerks” or “Managers”. Separately, the analyst needs to specify for each resource pool the number of resources in this pool (e.g. the number of claim handlers or the number of clerks) and other attributes of these resources such as the hourly cost (e.g. the hourly cost of a claims handler).

⁵Note that when discussing queueing theory above, we used the term occupation rate instead of resource utilization. These two terms are synonyms.

Common probability distributions for task durations in the context of process simulation include:

- *Fixed.* This is the case where the processing time of the task is the same for all executions of this task. It is rare to find such tasks because most tasks, especially those involving human resources, would exhibit some variability in their processing time. Examples of tasks with fixed processing time can be found among automated tasks such as for example a task that generates a report from a database. Such a task would take a relatively constant amount of time, say for example 5 seconds.
- *Exponential distribution.* As discussed in Sect. 7.3, the exponential distribution may be applicable when the processing time of the task is most often around a given mean value, but sometimes it is considerably longer. For example, consider a task “Assess insurance claims” in an insurance claims handling process. You can imagine that in most cases, the insurance claims fall within very standard cases. In such cases, the claim is assessed in an hour, or perhaps less. However, some insurance claims require special treatment, for example because the assessor considers that there is a risk that the claim is fraudulent. In this case, the assessor might spend several hours or even an entire day assessing a single claim. A similar observation can be made of diagnostics tasks, such as diagnosing a problem in an IT infrastructure, or diagnosing a problem during a car repair process.
- *Normal distribution.* This distribution is used when the processing time of the task is around a given average, and the “deviation” around this value is symmetric, meaning that the actual processing time can be above or below the mean with the same probability. Simple checks, such as for example checking whether or not a paper form has been fully completed might follow this distribution. Indeed, it generally takes about 3 minutes to make such a check. In some cases, this time can be lower because for example the form is clearly incomplete or clearly complete, and in other cases it can take a bit longer because a couple of fields have been left empty and it is unclear if these fields are relevant or not for the specific customer who submitted the form.

When assigning an exponential distribution to a task duration, the analyst has to specify the mean value. Meanwhile, when assigning a normal distribution, the analyst has to specify two parameters: mean value and standard deviation. These values are derived through an informed guess (based on interviews with the relevant stakeholders), but preferably by means of sampling (the analyst collects data for a sample of tasks executions) or by analyzing logs of relevant information systems. Some simulation tools allow the analyst to import logs into the simulation tool and assist the analyst in selecting the right probability distribution for task durations based on these logs. This functionality is called *simulation input analysis*.

In addition to the above per-task simulation data, a branching probability needs to be specified for every arc stemming from a decision gateway. These probabilities are determined by interviewing relevant stakeholders, observing executions of the process during a certain period of time, or collecting logs from relevant information systems.

Finally, in order to run a simulation, the analyst additionally needs to specify at least the following:

- The inter-arrival times and the mean arrival rate. As explained above, a very frequent distribution of inter-arrival times is the exponential distribution and this is usually the default distribution supported by business process simulators. It may happen, however, that the inter-arrival times follow a different distribution such as for example a *normal distribution*. By feeding a sample of inter-arrival times during a certain period of time to a statistical tool, we can find out which distribution best matches the data. Some simulators provide a module for selecting a distribution for the inter-arrival times and for computing the mean inter-arrival time from a data sample.
- The starting date and time of the simulation (e.g. “11 Nov. 2012 at 8:00”).
- One of the following:
 - The end date and time of the simulation. If this option is taken, the simulation will stop producing more process instances once the simulation clock reaches the end time.
 - The real-time duration of the simulation (e.g. 7 days, 14 days). In this way, the end time of the simulation can be derived by adding this duration to the starting time.
 - The required number of process instances to be simulated (e.g. 1,000). If this option is taken, the simulator generates process instances according to the arrival rate until it reaches the required number of process instances. At this point, the simulation stops. Some simulators will not stop immediately, but will allow the active process instances to complete before stopping the simulation.

Example 7.7 We consider the process for loan application approval modeled in Fig. 4.6 (p. 104). We simulate this model using the BIMP simulator available at: <http://bimp.cs.ut.ee>. This simulator takes as input BPMN process models in XML format produced by other process modeling tools such as Signavio Process Editor or OpenText Provision. We provide the following inputs for the simulation.

- Two loan applications per hour, meaning an inter-arrival time of 30.
- Tasks “Check credit history” and “Check income sources” are performed by clerks.
- Tasks “Notify rejection”, “Make credit offer” and “Assess application” are performed by credit officers.
- Task “Receive customer feedback” is in fact an event. It takes zero time and it only involves the credit information system (no human actors involved). To capture this, the task is assigned to a special “System” role.
- There are three clerks and three credit officers. The hourly cost of a clerk is € 25 while that of a credit officer is € 50.
- Clerks and credit officers work from 9am to 5pm during weekdays.
- The cycle time of task “Assess application” follows an exponential distribution with a mean of 20 minutes.

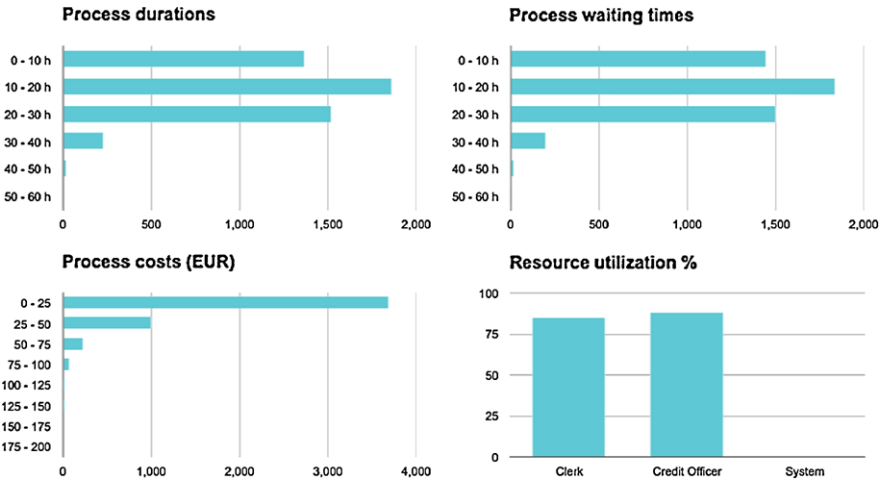


Fig. 7.12 Histograms produced by simulation of the credit application process

- Cycle times of all other tasks follow a normal distribution. Tasks “Check credit history”, “Notify rejection” and “Make credit offer” have a mean cycle time of 10 minutes with a 20 % standard deviation, while “Check income sources” has a cycle time of 20 minutes with a 20 % standard deviation as well.
- The probability that an application is accepted is 80 %.
- The probability that a customer whose application was rejected, asks that the application be re-assessed is 20 %.

We run a simulation with 5,000 instances, which means around 104 days of loan applications arrivals assuming that applications arrive 24 hours a day, 7 days a week.⁶ The simulation gives an average cycle time of around 17 hours. A variance of ± 2 hours can be observed when running the simulation multiple times. This variance is expected due to the stochastic nature of the simulation. Accordingly, it is recommended to run the simulation multiple times and to take averages of the simulation results. Figure 7.12 shows the histograms for process cycle time (called process duration in BIMP), waiting time (time a case spends waiting for resources to become available), cost (of resources), and resource utilization. It can be seen that applications spend most of the time in waiting mode, waiting for resources to become available. Resource utilization of clerks and credit officers is at 85 % and 88.5 %, respectively, meaning that there is some overload. As a rule of thumb, a resource utilization above 80 % means that one can expect long queues and high waiting times. If we add two clerks and two credit officers to the simulation we obtain an average cycle time of around 8 hours (compared to 17 hours) and an utilization rate of around 80 % for clerks and 50 % for credit officers.

⁶Some simulators additionally allow one to specify that new cases are only created during certain times of the day and certain days of the week, or according to a given calendar.

Exercise 7.8 An insurance company, namely Cetera, is facing the following problem: Whenever there is a major event (e.g. a storm), their claim-to-resolution process is unable to cope with the ensuing spike in demand. During normal times, the insurance company receives about 9,000 calls per week, but during a storm scenario, the number of calls per week doubles.

The claim-to-resolution process model of Cetera is presented in Fig. 7.13. The process starts when a call related to lodging a claim is received. The call is routed to one of two call centers depending on the location of the caller. Each call center receives approximately the same amount of calls (50–50) and has the same number of operators (40 per call center). The process for handling calls is identical across both call centers. When a call is received at a call center, the call is picked up by a call center operator. The call center operator starts by asking a standard set of questions to the customer to determine if the customer has the minimum information required to lodge a claim (e.g. insurance policy number). If the customer has enough information, the operator then goes through a questionnaire with the customer, enters all relevant details, checks the completeness of the claim and registers the claim.

Once a claim has been registered, it is routed by the claims handling office, where all remaining steps are performed. There is one single claims handling office, so regardless of the call center agent where the claim is registered, the claim is routed to the same office. In this office, the claim goes through a two-stage evaluation process. First of all, the liability of the customer is determined. Secondly, the claim is assessed in order to determine if the insurance company has to cover this liability and to what extent. If the claim is accepted, payment is initiated and the customer is advised of the amount to be paid. The activities of the claims handling department are performed by *claims handlers*. There are 150 claims handlers in total.

The mean cycle time of each task (in seconds) is indicated in Fig. 7.13. For every task, the cycle time follows an exponential distribution. The hourly cost of a call center agent is 30, while hourly cost of a claims handler is 50.

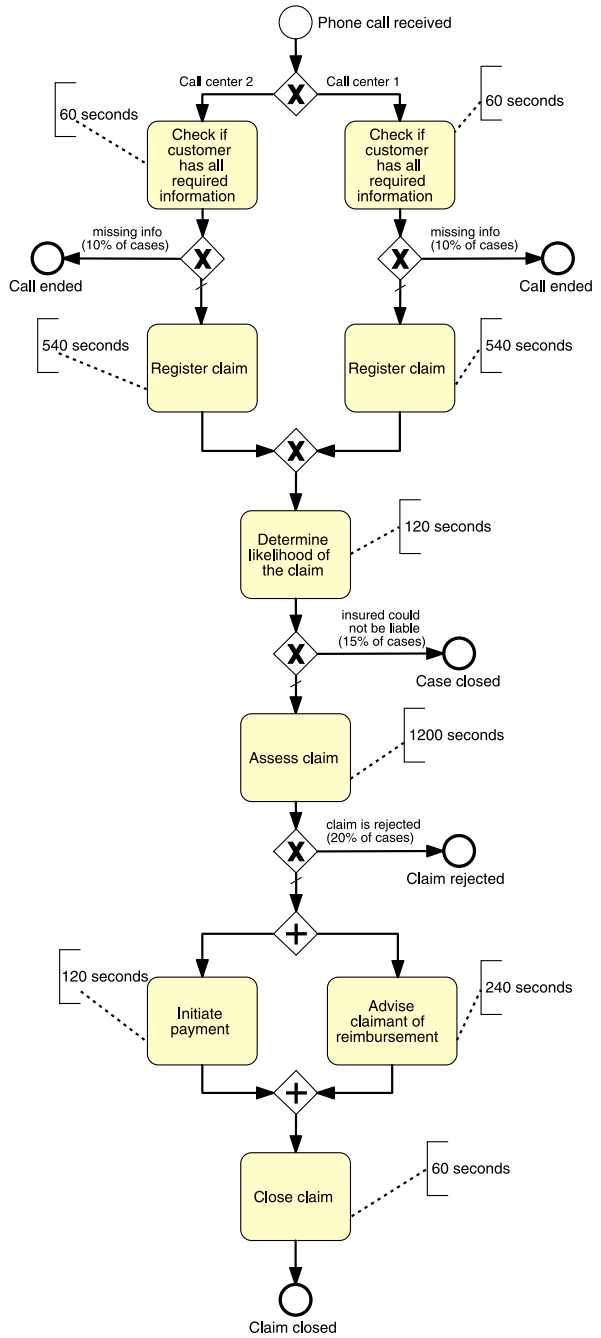
Describe the input that should be given to a simulator in order to simulate this process in the normal scenario and in the storm scenario. Using a simulation tool, encode the normal and the storm scenarios and run a simulation in order to compare these two scenarios.

7.4.3 Simulation Tools

Nowadays, most business process modeling tools provide simulation capabilities. Examples of tools with simulation support include: ADONIS, ARIS Business Designer, IBM Websphere Business Modeler, OpenText ProVision, Oracle Business Process Analysis (BPA) Suite, Savvion Process Modeler, Signavio Process Editor and TIBCO Business Studio. The landscape of tools evolves continuously, and thus it is very useful to understand the fundamental concepts of process simulation before trying to grasp the specific features of a given tool.

In general, the provided functionality varies visibly from one tool to another. For example, some tools allow one to capture the fact that resources do not work

Fig. 7.13 Cetera's claim-to-resolution process



continuously, but only during specific periods of time. This is specified by attaching a calendar to each resource pool. Some tools additionally allow one to specify that new process instances are created only during certain periods of time, for example only during business hours. Again, this is specified by attaching a calendar to the process model.

Some of the more sophisticated tools allow one to specify not only branching conditions, but also actual boolean expressions that make use of attributes attached to data objects in the process model. In this way, we can specify for example that a branch coming out of an XOR-split should be taken when the attribute “loanAmount” of a data object called “loan application” is greater than 10,000, whereas another branch should be taken when this amount is lower than 10,000. In this case, the probabilistic distribution of values for the attribute “loanAmount” needs to be specified. When the simulator generates objects of type loan, it will give them a value according to the probability distribution attached to that attribute.

There are also small nuances between tools. For example some tools require one to specify the mean arrival rate, that is the number of cases that start during one time unit (e.g. 50 cases per day), while other tools require one to specify the mean inter-arrival time between cases (e.g. one case every 2 minutes). Recall that the distinction between mean arrival rate (written λ in queueing theory) and mean inter-arrival time ($1/\lambda$) was discussed in Sect. 7.3.1. Other tools go further by allowing one to specify not only the inter-arrival time, but how many cases are created every time. By default, cases arrive one by one, but in some business processes, cases may arrive in batches as illustrated by the following scenario extracted from a description of an archival process at the Macau Historical Archives:

At the beginning of each year, transfer lists are sent to the Historical Archives by various organizations. Each transfer list contains approximately 225 historical records. On average two transfer lists are received each year. Each record in a transfer list needs to go through a process that includes appraisal, classification, annotation, backup, and re-binding among other tasks.

If we consider that each record is a case of this archival process, then we can say that cases arrive in batches of $225 \times 2 = 450$ cases. Moreover, these batches arrive at a fixed inter-arrival time of one year.

Finally, process simulation tools typically differ in terms of how resource pools and resource costs are specified. Some tools would only allow one to define a resource pool and define the number of resources in the pool. A single cost per time unit is then attached to the entire resource pool. Other tools would allow one to create the resources of a pool one by one and to assign a cost to each created resource (e.g. create 10 clerks one by one, each with its name and hourly cost).

The above discussion illustrates some of the nuances found across simulation tools. In order to avoid diving straight away into the numerous details of a tool, it may be useful for beginners to take their first steps using the BIMP simulator referred to in Example 7.7. BIMP is a rather simple BPMN process model simulator that provides the core functionality found in commercial business process simulation tools.

7.4.4 A Word of Caution

One should keep in mind that the quantitative analysis techniques we have seen in this chapter, and simulation in particular, are based on models and on simplifying assumptions. The reliability of the output produced by these techniques largely depends on the accuracy of the numbers that are given as input. Additionally, simulation assumes that process participants work continuously on the process being simulated. In practice though, process participants are not robots. They get distracted due to interruptions, they display varying performance depending on various factors, and they may adapt differently to new ways of working.

In this respect, it is good practice whenever possible to derive the input parameters of a simulation from actual observations, meaning from historical process execution data. This is possible when simulating an as-is process that is being executed in the company, but not necessarily when simulating a to-be process. In a similar spirit, it is recommended to cross-check simulation outputs against expert advice. This can be achieved by presenting the simulation results to process stakeholders (including process participants). The process stakeholders are usually able to provide feedback on the credibility of the resource utilization levels calculated via simulation and the actual manifestation of the bottlenecks shown in the simulation. For instance, if the simulation points to a bottleneck in a given task, while the stakeholders and participants perceive this task to be uncritical, there is a clear indication that incorrect assumptions have been made. Feedback from stakeholders and participants helps to reconfigure the parameters such that the results come closer to matching the actual behavior. In other words, process simulation is an iterative analysis technique with potentially multiple validation loops.

Finally, it is advisable to perform sensitivity analysis of the simulation. Concretely, this means observing how the output of the simulation changes when adding one resource to or removing one resource from a resource pool, or when changing the processing times by $\pm 10\%$ for example. If such small changes in the simulation input parameters significantly affect the conclusions drawn from the simulation outputs, one can put a question mark on these conclusions.

7.5 Recap

In this chapter we saw three quantitative process analysis techniques, namely flow analysis, queueing theory and simulation. These techniques allow us to derive process performance measures, such as cycle time or cost, and to understand how different activities and resource pools contribute to the overall performance of a process.

Flow analysis allows us to calculate performance measures from a process model and performance data pertaining to each activity in the model. However, flow analysis does not take into account the level of busyness of the resources involved in the process, i.e. their level of resource utilization. Yet, waiting times are highly dependent on resource utilization—the busier the resources are, the longer the waiting times.

Basic queueing theory models, such as the M/M/1 model, allow us to calculate waiting times for individual activities given data about the number of resources and their processing times. Other queueing theory models such as queueing networks allow us to perform fine-grained analysis at the level of entire processes. However, in practice it is convenient to use process simulation for fine-grained analysis. Process simulation allows us to derive process performance measures (e.g. cycle time or cost) given data about the activities (e.g. processing times) and data about the resources involved in the process. Process simulation is a versatile technique supported by a range of process modeling and analysis tools.

7.6 Solutions to Exercises

Solution 7.1

1. There are at least two business processes that need improvement: the quote-to-booking process—which starts from the moment a quote is received to the moment that a booking is made—and the process for modifying bookings.
2. The quote-to-book process needs to be improved with respect to cycle time, and with respect to error rate. The booking modification process needs improvement with respect to error rate.

Solution 7.2 First we observe that the cycle time of the AND-block is 1. Next, we calculate the cycle time of the XOR-block as follows: $0.4 \times 1 + 0.4 \times 1 + 0.2 \times 1$ hour. The total cycle time is thus: $1 + 1 + 1 = 3$ hours.

Solution 7.3 The cycle time of the process is $2 + 8 + \frac{4+4}{1-0.2} = 20$ days. Assuming 8 working hours per day, this translates to 160 working hours. The theoretical cycle time is $0.5 + 12 + \frac{4+2}{1-0.2} = 20$ hours. Hence, cycle time efficiency is 12.5 %.

Solution 7.4 Little's law tells us that: $CT = WIP/\lambda$. At peak time, there are 900 customers distributed across 6 hours, so the mean arrival rate $\lambda = 150$ customers per hour. On the other hand, $WIP = 90$ during peak time. Thus, $CT = 90/150 = 0.6$ hours (i.e. 36 minutes). During non-peak time, $\lambda = 300/6 = 50$ customer per hour while $WIP = 30$, thus $CT = 30/50 = 0.6$ hours (again 36 minutes). If the number of customers per hour during peak times is expected to go up but the WIP has to remain constant, we need to reduce the cycle time per customer. This may be achieved by shortening the serving time, the interval between the moment a customer enters the restaurant and the moment they place an order, or the time it takes for the customer to pay. In other words, the process for order taking and payment may need to be redesigned.

Solution 7.5 Given that there are no other costs, we calculate the cost of the process by aggregating the resource costs as follows: $0.5 \times 25 + 12 \times 50 + (4 \times 75 + 2 \times 100)/(1 - 0.2) = 1237.50$.

Solution 7.6 On average, 0.05 orders are received per day ($\lambda = 0.05$), and 0.0625 orders are fulfilled per day ($\mu = 0.0625$). Thus, the occupation rate of this system $\rho = 0.05/0.0625 = 0.8$. Using the formulas for M/M/1 models, we can deduce that the average length of the queue L_q is: $0.8^2/(1 - 0.8) = 3.2$ orders. From there we can conclude that the average time an order spends on the queue is $W_q = 3.2/0.05 = 64$ days. Thus, it takes on average order $W = 64 + 16 = 80$ working days for an order to be fulfilled.

Solution 7.7 Strictly speaking, we should analyze this problem using an M/M/c queueing model. However, the formulas for M/M/c are quite complex to show the calculations in detail. Accordingly, we will assume in this solution that the entire call center behaves as a single monolithic team, so that we can use an M/M/1 queueing model to analyze the problem. Because of this assumption, the results will not be exact.

If we only had seven call center agents, then the occupation rate $\rho = 40/70 = 0.57$, $L_q = \rho^2/(1 - \rho) = 0.57^2/(1 - 0.57) = 0.76$, and $W_q = L_q/\lambda = 0.76/40 = 0.0189$ hours = 1.13 minutes. So we cannot meet the customer service charter.

If we can handle 80 calls per hour (eight call center agents), then the occupation rate $\rho = 40/80 = 0.5$, $L_q = \rho^2/(1 - \rho) = 0.5^2/(1 - 0.5) = 0.5$, and $W_q = L_q/\lambda = 0.5/40 = 0.0125$ hours = 45 seconds, so we meet the customer service charter.

Ways to reduce costs while staying as close as possible to the customer service charter:

- We could reduce the number of call center agents to 7 and still have an average waiting time of 1.13 minutes. That reduces costs by 12.5 % (one call center agent less).
- We could introduce a self-service system, whereby people lodge their application online (at least for simple claims).
- We could extend the call center working times (e.g. work until 6pm or 7pm instead of 5pm) so that people can call after work, therefore easing the call center load during its peak time.
- Reduce the time of each call by providing better training to call center agents.

Solution 7.8 For this problem, we will reason exclusively in terms of working hours as a unit of time, as opposed to calendar hours. We assume that a week consists of 40 working hours. Calls arrive only during these 40 working hours and call center operators and claims handlers work only during these 40 hours. By taking working hours as a time unit, we avoid the need to attach calendars resources.

In the normal scenario (no storm), the arrival rate is 9,000 cases per week, that is one case every 16 seconds (this is the inter-arrival time). In the storm scenario the inter-arrival time is 8 seconds. In both cases we use an exponential distribution for the inter-arrival time. We run simulations corresponding to 5 weeks of work, meaning 45,000 cases for the normal scenario and 90,000 cases for the storm scenario.

In order to distinguish between the two call centers, we define two separate resource pools, namely “Call Center Operator 1” and “Call Center Operator 2” each

one with 40 resources at an hourly cost of 30, plus a resource pool “Claims Handler” with 150 resources. We assign tasks to resource pools as indicated in the scenario and we use the cycle times indicated in the process model as input for the simulation. Running the simulation using the BIMP simulator gives us the following outputs. Under the normal scenario, we obtain a resource utilization of around 53 % for claims handlers and 41 % for call center operators. The average cycle time is around 0.5 working hours and the maximum observed cycle time is around 4.4 working hours. In other words, the resources are under-utilized and thus the cycle time is low.

In the storm season, resource utilization of claims handlers is close to 100 % and that of claims handlers (in both claims handling centers) is around 79 %. The average cycle time is 12 working hours while the maximum cycle time is around 33 hours, that is approximately 4 working days. The high resource utilization indicates that, in practice, the claims handling office is over-flooded during storm season and additional staff are required. On the other hand, the call center has sufficient capacity for storm season. The average waiting time for the tasks in the call center is around 20 seconds.

7.7 Further Exercises

Exercise 7.9 Calculate the cycle time, cycle time efficiency and cost of the university admission process described in Exercise 1.1, assuming that:

- The process starts when an online application is submitted.
- It takes on average 2 weeks (after the online application is submitted) for the documents to arrive to the students service by post.
- The check for completeness of documents takes about 10 minutes. In 20 % of cases, the completeness check that some documents are missing. In this cases an e-mail is sent to the student automatically by the University admission management system based on the input provided by the international students officer during the completeness check.
- A student services officer spends on average 10 minutes to put the degrees and transcripts in an envelope and send them to the academic recognition agency. The time it takes to send the degrees/transcripts to the academic recognition agency and to receive back a response is 2 weeks on average.
- About 10 % of applications are rejected after the academic recognition assessment.
- The university pays a fee of € 5 each time it requests the academic recognition agency to accept an application.
- Checking the English language test results takes 1 day on average, but in reality the officer who performs the check only spends 10 minutes on average per check. This language test check free.
- About 10 % of applications are rejected after the English language test.

- It takes on average 2 weeks between the time students service sends the copy of an application to the committee members and the moment the committee makes a decision (accept or reject). On average, the committee spends 1 hour examining each application.
- It takes on average 2 days (after the decision is made by the academic committee) for the students service to record the academic committee's decision in the University admission management system. Recording a decision takes on average 2 minutes. Once a decision is recorded, a notification is automatically sent to the student.
- The hourly cost of the officers at the international students office is € 50.
- The hourly cost of the academic committee (as a whole) is € 200.

Exercise 7.10 Let us consider the following process performed by an IT helpdesk that handles requests from clients. The clients are employees of a company. There are about 500 employees in total. A request may be an IT-related problem that a client has, or an access request (e.g. requesting rights to access a system). Requests need to be handled according to their type and their priority. There are three priority levels: “critical”, “urgent” or “normal”. The current process works as follows.

A client calls the help desk or sends an e-mail in order to make a request. The help desk is staffed with five “Level-1” support staff who, typically, are junior people with less than 12 months experience, but are capable of resolving known problems and simple requests. The hourly cost of a Level-1 staff member is € 40.

When the Level-1 employee does not know the resolution to a request, the request is forwarded to a more experienced “Level-2” support staff. There are three Level-2 staff members and their hourly cost is € 60. When a Level-2 employee receives a new request, they evaluate it in order to assign a priority level. The job tracking system will later assign the request to the same or to another Level-2 staff depending on the assigned priority level and the backlog of requests.

Once the request is assigned to a Level-2 staff member, the request is researched by the Level-2 employee and a resolution is developed and sent back to the Level-1 employee. Eventually, the Level-1 employee forwards the resolution to the client who tests the resolution. The client notifies the outcome of the test to the Level-1 employee via e-mail. If the client states that the request is fixed, it is marked as complete and the process ends. If the request is not fixed, it is resent to Level-2 support for further action and goes through the process again.

Requests are registered in a job tracking system. The job tracking system allows help desk employees to record the details of the request, the priority level and the name of the client who generated the request. When a request is registered, it is marked as “open”. When it is moved to level 2, it is marked as “forwarded to level 2” and when the resolution is sent back to “Level 1” the request is marked as “returned to level 1”. Finally, when a request is resolved, it is marked as “closed”. Every request has a unique identifier. When a request is registered, the job tracking system sends an e-mail to the client. The e-mail includes a “request reference number” that the client needs to quote when asking questions about the request.

Calculate the cycle time efficiency and the cost-per-execution of the as-is process assuming that:

- Submitting and registering a new request takes 5 minutes on average.

- Requests spend on average 1 hour waiting for a Level-1 staff to check them. This applies both to new requests and to re-submitted requests.
- Checking if a new request is “known” takes on average 10 minutes. In 20 % of cases the request is known. In this case, it takes between 2 and 10 minutes (average 5 minutes) for the Level-1 staff to communicate the resolution to the client. Once this is done, the request is marked as “closed”. On the other hand, if the request is not “known”, the request is automatically forwarded to Level 2.
- New requests spend on average 2 hours waiting for a Level-2 staff to evaluate them. Level-2 staff take on average 20 minutes to evaluate a new request.
- Level-2 staff take 5 minutes to prioritize a request.
- The time between the moment a request has been prioritized, and the moment the request is picked up by a Level-2 staff member is 20 hours.
- The time required to research and resolve a request is on average 2 hours.
- The time to write the resolution to a request is on average 20 minutes.
- Once a Level-2 staff has written the resolution of a request, it takes on average 20 hours before a the request is fetched from the job tracking system by a Level-1 staff.
- It takes on average 20 minutes for a Level-1 staff to send to the client a problem resolution previously written by a Level-2 staff.
- It takes on average 20 hours between the moment a resolution is sent by the Level-1 staff, and the moment the resolution is tested by the client.
- It takes the client around 10 minutes to e-mail the test results to the Level-1 staff.
- In 20 % of cases the request is not resolved, and it needs to be forwarded to Level-2 again. In this latter case, it takes about 2 minutes for the Level-1 to forward the request to the Level-2 staff. Unresolved requests that are forwarded in this way are automatically marked as prioritized, since they have already been prioritized in the previous iteration.
- There are no other costs besides the resource costs.

Hint To calculate theoretical cycle time and cost, only take into consideration time spent doing actual work, excluding waiting times and handovers.

Acknowledgement This exercise is inspired by an example developed by Sue Conger [8].

Exercise 7.11 Consider the scenario described in Exercise 7.6. The company in question is being pressed by several of its customers to fulfill their orders faster. The company’s management estimates that the company stands to lose € 250,000 in revenue if they do not reduce their order fulfillment time below 40 working days. Adding one engineer to the existing team would reduce the time to design a hardware down to 14 working days (from 16 days). An additional engineer would cost the company € 50,000. On the other hand, hiring a second engineering team would cost € 250,000. Analyze these two scenarios and recommend an option to the company.

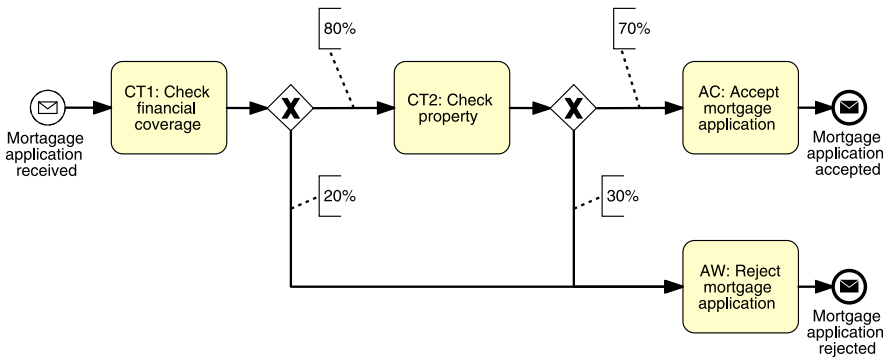


Fig. 7.14 Mortgage process

Exercise 7.12 We consider a Level-2 IT service desk with two staff members. Each staff member can handle one service request in 4 working hours on average. Service times are exponentially distributed. Requests arrive at a mean rate of one request every 3 hours according to a Poisson process. What is the average time between the moment a service request arrives at this desk and the moment it is fulfilled?

Exercise 7.13 Consider again the IT helpdesk process described in Exercise 7.10. Model and simulate it assuming that cases arrive at a rate of 50 per day according to an exponential distribution. Assume that all the activity cycle times follow an exponential distribution with the mean (average) given in Exercise 7.10.

Note When modeling the process, do not model the waiting times between activities, only the activities themselves.

Exercise 7.14 Consider the process model in Fig. 7.14. This model captures a simplified process for handling applications for mortgages. There are two checks involved. CT1 deals with a check of the financial coverage of the mortgage application. The second check, CT2, concerns the verification of the property that is to be mortgaged. If the result of both checks is positive, the application is accepted (task AC). On average, after the execution of task CT1, 20 % of all applications are rejected. Meanwhile, task CT2 leads to 30 % of further rejections. If either of the checks has an unsatisfactory result, the application is rejected (task AW). The arrival process is Poisson, with an average arrival of five cases per hour during business hours. For each task, exactly one dedicated resource is available. The processing time of every task follows an exponential distribution. The mean processing times for tasks CT1, CT2, AC, and AW are, respectively, 5, 4, 3, and 3 minutes. The wage of each resource is € 20 per hour. Business hours are from Monday to Friday from 9am to 5pm. Resources are only available during these hours.

- a. Determine the resource utilization of each resource.
- b. Determine the average cycle time of the process.

- c. Determine the cycle time efficiency of the process.
- d. Determine the average number of mortgage applications that are being handled at any given point in time.

Hint For this exercise, it might be convenient to use a combination of process simulation, Little's law and flow analysis.

7.8 Further Reading

The Balanced Scorecard concept alluded to in Sect. 7.1.2 was proposed by Kaplan and Norton in 1992 [39] and quickly gained popularity thereafter as a tool to define organizational strategy and performance measures. Harmon [31] argues that the traditional approach to apply the Balanced Scorecard leads to a bias towards functional units (i.e. performance measures are defined for company departments). To address this bias, he elaborates an approach to apply the Balanced Scorecard along the process architecture rather than the functional architecture. Fürstenau [21] gives a more detailed overview of approaches to process performance measurement all the way from the identification of performance measures using the Balanced Scorecard, to their implementation in the context of IT-enabled processes.

In Sect. 7.2, we showed how flow analysis techniques can be used to calculate cycle time and cost. Laguna and Marklund [43] additionally show how to use flow analysis to calculate *process capacity*. Process capacity is the maximum number of cases per time unit (e.g. cases per hour) that can be theoretically handled. Another possible application of flow analysis is to estimate the error rate of the process, meaning the number of cases that will end up in a negative outcome. This latter application of flow analysis is discussed for example by Yang et al. [109]. Yang et al. also present a technique for flow analysis that is applicable not only to block-structured process models but to a much broader class of process models.

As mentioned in Sect. 7.3, the formula for determining the average queue length in the context of the M/M/c model is particularly complicated. Laguna and Marklund [43, Chap. 6] analyze the M/M/c model (including the formula for average queue length) and its application to process analysis. They also analyze the M/M/c/K model, where an upper-bound to the length of the queue is imposed (this is parameter K in the model). The M/M/c/K model is suitable for example when there is a maximum length of queue beyond which customers are rejected from the queue. Adan and Resing [1] give detailed introductions to M/M/1, M/M/c, M/M/c/K and other queueing theory models.

As stated in Sect. 7.4, business process simulation is a versatile approach for quantitative process analysis. Numerous case studies illustrating the use of process simulation in various domains can be found in the literature. For example, Greasley [24] illustrates the use of business process simulation for redesigning a process for road traffic accident reporting. In a similar vein, Van der Aalst et al. [98] discuss the use of business process simulation to evaluate different strategies to

avoid or to mitigate deadline violations in the context of an insurance claims handling process in an insurance company. Exercise 7.8 is based on this latter paper.

Current tools for business process simulation have various limitations. Several of these limitations are discussed at length by van der Aalst et al. [99]. One such limitation has to do with batching of cases. For example, consider the University admissions process described in Exercise 1.1 (p. 4). In this process, each individual application progresses independently of other applications, up the point where the admissions committee has to assess the application. The committee does not meet to handle each individual application, but rather meets at certain times and examines a batch of applications. This batching is necessary because it is not practical for the committee to meet too often since the committee involves several members with busy diaries. Also, the committee needs to compare applications with respect to one another, so it only makes sense to meet when either all applications have arrived, or a sufficient number of applications have arrived to make comparisons between candidates. Let us imagine specifically that the committee meets every 2 weeks but only if there are at least 10 applications to be examined. If there are less than 10 applications, the meeting is skipped and the assessment of pending applications is postponed until the next scheduled meeting. Many business process simulation tools simply cannot capture this batching behavior.

To address this and other limitations, Van der Aalst et al. [99] propose to use more sophisticated tools for process simulation, namely Discrete-Event Simulation (DES) tools. They specifically put forward *CPN Tools* as a possible DES that can be used for business process simulation. CPN Tools is based on *Colored Petri Nets*—a language that extends Petri nets. Other DES tools that can be used for business process simulation include ExtendSim [43] and Arena [40]. For example, Arena is used in the aforementioned case study of a road traffic reporting process [24]. DES tools are clearly more powerful than specialized business process simulation tools. However, the choice of a DES tool means that one cannot directly use a BPMN model for simulation. Instead the model has to be re-encoded in another notation. Moreover, the use of DES tools requires more technical background from the analyst. These trade-offs should be considered when choosing between DES tools and specialized business process simulation tools based for example on BPMN.

We saw throughout the chapter that quantitative analysis techniques allow us to identify critical paths and bottlenecks. These are essentially paths and activities in the process that require special attention if the goal is to reduce cycle time. Anupindi et al. [4] offers detailed advice on how to deal with critical paths and bottlenecks in business processes as well as how to reduce waste and repetition. The following chapter will discuss some of these insights.

Chapter 8

Process Redesign

We know what we are, but not what we may be.
William Shakespeare (1564–1616)

The thorough analysis of a business process typically sparks various ideas and directions for redesign. The problem is, however, that redesign is often not approached in a systematic way, but rather considered as a purely creative activity. The critical point with creative techniques is that parts of the spectrum of potential redesign options could be missed. As an alternative, suitable methods can be utilized to yield more and, hopefully, better redesign options.

This chapter deals with rethinking and re-organizing business processes with the specific purpose of making them perform better. We clarify the motivation and the trade-offs of redesign. Then, we present two methods for systematically redesigning processes. First, we introduce Heuristic Process Redesign as a method that builds upon an extensive set of redesign options. The method is illustrated by the help of a case of a health care institute. Second, we present Product-based Design. This method derives a process design based on the composition of a product.

8.1 The Essence of Process Redesign

In this section, we describe the motivations and the trade-offs of redesign. We introduce the Devil's Quadrangle and discuss options of how redesign can be approached.

8.1.1 Why Redesign?

As stated, the focus of this chapter is on how to redesign business processes. Before explaining this, it is good to reflect on why again it is beneficial at all to focus on business processes. Recall that a business process creates and delivers a certain product or service that customers are after. If someone would like to improve the quality of such a product or service from the perspective of a customer, arguably

the best way to do that is to improve the related business process. For example, if at some point clients like to make use of a service they purchase from a company much earlier than it is able to deliver, it makes sense to think of streamlining the business process in question. In that way, a *customer-oriented* organization is in fact a *process-centered* organization. Business process redesign is all about improving the quality of products and services by rethinking and re-organizing business processes.

Question Why would anyone like to *redesign* business processes?

One could argue that if a business process has been designed well in the first place, then the products and services are already produced in a satisfactory way. Indeed, if you can step into a bank or a governmental agency, you can see processes in action in ways very similar to how they were introduced there some 50 years ago. This is not necessarily a good thing, though. There are at least two reasons why it makes sense to consider the redesign of an existing business process, even when it was perfectly designed in the first place. The first of these relates to the *organic nature* of organizations. All business processes tend to evolve organically over time. As a result, they grow more complex and their performance gradually deteriorates. Some common examples of such situations are as follows:

- At some point, a clerk forgets to carry out a particular quality check. The product was delivered to a client who became really upset because of the unnoticed flaws of the product. In response, an extra check is incorporated which involves a second clerk to check out whether the quality check is performed at all. This works quite well, but after some time the initial quality check becomes automated through the introduction of a new production system. The check-on-the-check becomes superfluous, but is still part of the process, in this way consuming unnecessary resources and time.
- The marketing department of an organization introduces a special offer for a particular type of customers. Each time such a customer engages with this organization, their account managers ask for extra information beyond what is normally asked. In this way, the marketing campaign can make a perfectly targeted offer to these customers. Yet, the information is not really necessary for the services the clients contact this organization in the first place. After some time, the marketing campaign has come to an end, but the account managers will still ask for the extra information whenever they interact with the particular kind of customer: an unnecessary and time-consuming step.
- An internal auditing department demands at some point that the monetary value of certain financial activities are always reported to it, whenever such activities are carried out. This causes an extra calculation and an extra reporting step in each of the business processes that are affected. Over time, the management of the auditing department changes its priorities and starts looking into other, non-financial information. The reports, nonetheless, keep coming in.

None of the above examples seem so difficult that they cannot be overcome, of course. The point is that people who are busy with carrying out day-to-day operations are usually neither inclined nor equipped to start rethinking the overall structure of operations within an organization. Specifically, it is very common for people to have a limited insight into why a business process is organized in the way it is: People know how to perform their own activities, perhaps some of the activities up- and downstream from their position in the process, but certainly not much more. Even managers, of whom it can be expected that they take a “helicopter view”, are usually more concerned with day-to-day execution than structural improvement. People, it seems, are creatures of habit. A business process perspective helps to overcome the inhibition to improve. So, to fight the troubles that go hand in hand with the organical development of a process, redesign is a good idea.

Another reason why it is worthwhile to redesign a business process, even a process that was perfect when it was designed in the first place, is that the *world evolves* as well. New competitors enter the market place that can deliver the same product or service that you can, but against lower cost or tailored to a customer’s specific needs. The preferences of customers may change too: People may have been willing to pay a premium for your high-quality product for a long time, but they may now prefer a similar product of lower quality that is offered against a considerably lower price. Whether it is sensible for an organization to keep on producing a certain product or service is not within the scope of this book; that is much more of a strategic decision. What we care about are the operations of an organization. So, assuming there is a strategic incentive to keep on offering a product or service, business process redesign is the approach to create and deliver it in a more performative way.

Exercise 8.1 Can you identify business processes from your own experience that may perhaps have been competitive at some stage, but which seem at this point to be unnecessarily complex or outdated given what competitors offer?

While the two reasons we discussed are important to consider redesigning an existing process, the principles behind redesign approaches can also be helpful to develop business processes from scratch. For example, in 2002 the Netherlands Authority for the Financial Markets was set up to regulate behavior on the Dutch financial markets. Many of the business processes it had to start executing had to be newly developed. Process redesign principles were applied to find the right balance between effectiveness and efficiency. We will still refer to such occasions as process redesign, even though it is technically a misnomer—we would be more precise when referring to this situation as process *design*. We will return to this issue of developing processes from scratch when we will be discussing the various types of redesign approach.

8.1.2 What Is Redesign?

Let us now take a closer look at what redesign is. If you would follow a broad interpretation, any change to an existing process, minor or major, qualifies. Since business processes are rather encompassing—they concern among other the steps in a process, the workforce that is committed to carrying out the process, the information that is being exchanged, and the information systems employed—this actually seems to cover quite a lot. When we talk about process redesign in the context of this book, we will not refer to casual or minor updates, or to changes of parts peripheral to a process or that have no relation to the business process concept. For example, let us suppose that a bank prints the conditions under which a mortgage is granted on ordinary paper, and is accustomed to sending the paper work to applicants when the conditions are completely settled and approved. If the paper type is changed into an eco-friendly, recycled alternative, then we would not consider this as an act of process redesign. If, on the other hand, the client would be provided at any time with an insight into an electronic file that shows the conditions as they are developed during the execution of the process, we would be much more confident in calling this process redesign, especially if the idea behind it is to improve the customer's experience.

Rather than trying to pinpoint business process redesign to an exact definition, we present a framework that helps to think and reason about the most important manifestations of this approach. In this framework, seven elements are identified:

1. the internal or external *customers* of the business process
2. the *business process operation* view, which relates to how a business process is implemented, specifically the number of activities that are identified in the process and the nature of each, and
3. the *business process behavior* view, which relates to the way a business process is executed, specifically the order in which activities are executed and how these are scheduled and assigned for execution
4. the *organization* and the participants in the business process, captured at two levels: the organization structure (elements: roles, users, groups, departments, etc.), and the organization population (individuals: agents which can have activities assigned for execution and the relationships between them)
5. the *information* that the business process uses or creates
6. the *technology* the business process uses, and
7. the *external environment* the process is situated in

Process redesign, then, is first of all concerned with changing the business process itself, covering both its operational and behavioral view. Yet, process redesign extends to changes that are on the interplay between on the one hand process and on the other the organization or even the external environment that the process operates in, the information and technology it employs, as well as the products it delivers to its customers. This is a comprehensive way of looking at process redesign but it does exclude some activities. For example, the way to train people to optimally perform new activities they become responsible for is out of scope.

Exercise 8.2 Consider the following list and indicate which of these you would consider as process redesign initiatives. Motivate your answer and, if applicable, provide the links to the elements discussed.

1. An airline has seen its profits falling over the past year. It decides start a marketing campaign among its corporate clients in the hope that it can extend its profitable freight business.
2. A governmental agency notices that it is structurally late to respond to citizen's queries. It decides to assign a manager to oversee this particular process and mandates her to take appropriate counter actions.
3. A video rental company sees that its customer base is evaporating. It decides to switch to the business of promoting and selling electronic services through which clients can see movies on-line and on-demand.
4. A bank notices internal conflicts between two different departments over the way mortgage applications are dealt with. It decides to analyze the role of the various departments in the way applications are received and handled to come up with a new role structure.
5. A clinic wants to introduce the one-stop-shop concept to improve over the situation that its patients need to make separate appointments for the various diagnostic tests that are part of a procedure for skin cancer screening.

Not each business domain is equally suitable for the application of business process redesign. To appreciate this, consider the differences between the manufacturing and services domain. In the *manufacturing domain*, the emphasis is on transforming raw materials into tangible products, which often relies on the use of robots and sophisticated machinery. It is in the *services domain* where mostly knowledge is involved in the processing of information to deliver a particular service. Compare, for example, a car manufacturing company with an insurance company as two characteristic examples of the respective domains. In general, it is fair to say that for service organizations the following properties hold:

- Making a copy is easy and cheap. In contrast to making a copy of a product like a car, it is relatively easy to copy a piece of information, especially if the information is in electronic form.
- There are no real limitations with respect to the in-process inventory. Informational products do not require much space and are easy to access, especially if they are stored in a database.
- There are less requirements with respect to the order in which activities are executed: Human resources are flexible in comparison with machines; there are few technical constraints with respect to the lay-out of the service process.
- Quality is difficult to measure. Criteria to assess the quality of a service, an informational product, are usually less explicit than those in a manufacturing environment.
- Quality of end products may vary. A manufacturer of goods usually has a minimal number of components that any product should incorporate. However, in the services domain it might be attractive to skip certain checks in producing the informational product to reduce the workload.

- Transportation of electronic data is timeless. In a computer network, information travels almost at the speed of light; in a manufacturing environment, the transportation of parts is an essential share of the total lead-time, for example think of parts and sub-assemblies that have to be moved from one plant to the other.

From these differences, it is clear that there are more degrees of freedom for redesigning business process in the services domain, than is the case in the manufacturing domain. To optimize a manufacturing process, one has to look for opportunities while juggling many physical constraints. For example, parts that have to be assembled must be transported to the same physical location; by contrast, pieces of information can be put together while they are physically stored on different locations. Similarly, where logistics has evolved as a field to deal with the inventory of parts and half-products, the storage of (digital) information is usually a *no-brainer*. Business process redesign, therefore, is at this point mostly applicable in the services domain. Since there is a trend that manufacturing and high-tech organizations are increasingly making money with providing services along with their physical products, it can be expected that process redesign will become of greater importance here as well.

Exercise 8.3 Consider the following processes and decide whether they are suitable for being redesigned. Use the properties that distinguish the manufacturing and services domain as a mental checklist to support your choice.

1. Dealing with a customer complaint.
2. Carrying out cardiovascular surgery.
3. The production of a wafer stepping machine.
4. Transporting a package.
5. Providing financial advice on composing a portfolio.
6. Designing a train station.

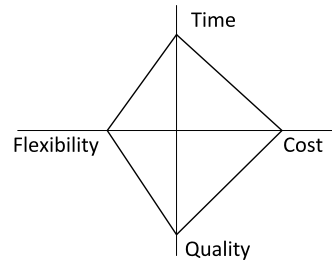
8.1.3 *The Devil's Quadrangle*

So far, we have not been overly specific about the goals behind redesign. Clearly, it is about making a business process perform better, but we have not discussed the available directions for improvement.

Question What do we want to achieve exactly when a process is redesigned?

A framework that helps answering this question is the *Devil's Quadrangle*, which is depicted in Fig. 8.1. This framework is based on the four performance dimensions discussed in Chap. 7, namely time, cost, quality and flexibility. Ideally, a business process redesign *decreases* the time required to handle a case, it lowers the required cost of executing the process, it *improves* the quality of the service delivered, and

Fig. 8.1 The Devil's Quadrangle



it *increases* the ability of the business process to deal with variation. The interesting property of this framework is how it expresses that improving a process in one dimension may have a weakening effect on another. For example, one may decide to add a reconciliation activity to a business process to improve the quality of the delivered service. Yet, this may backfire on the timeliness of the service delivery. The ominous name of the framework refers to the difficult trade-offs that sometimes have to be made. Awareness of these trade-offs is utterly important for effective process redesign.

Exercise 8.4 Consider the following redesign acts. Which performance measures are affected by these, either positively or negatively?

1. A new computer application is developed that speeds up the calculation of the maximum loan amount that a given client can be offered.
2. Whenever a quote is needed from a financial provider, a clerk must use a direct messaging system instead of e-mail.
3. By the end of the year, additional, temporary workers are hired and assigned to picking items for fulfilling Christmas orders.

While the performance dimensions of the Devil's Quadrangle are helpful to think of the desired effects of business process redesign in general and for a particular business process in particular, they are also useful to think about common approaches to improve business processes. We will devote more attention to this topic when dealing with different types of process redesign approach; we will then refer to them as *redesign heuristics*.

8.1.4 How to Redesign?

There is a great variety of books on process redesign. These deal, among other topics, with different methodologies, present case studies, advance success factors and management lessons. Since the supply may be a bit overwhelming, the following classification may help to see the forest for the trees.

There are three levels of abstractions for methods with respect to process redesign: methodologies, techniques, and tools.

A *methodology*, the highest level of abstraction, is defined as a collection of problem-solving methods governed by a set of principles and a common philosophy for solving targeted problems. This is primarily the field of consulting firms which developed proprietary methodologies, which stretch out from the early analysis phase of a redesign project until the implementation and after care.

At the next level of abstraction, a *technique* is defined as a set of precisely described procedures for achieving a standard task. Some oft-encountered techniques for process analysis—one of the phases in a redesign project—are e.g., fishbone diagramming, Pareto analysis, and cognitive mapping (see Chap. 6). To support the activity of redesigning, creativity techniques like out-of-box-thinking, affinity diagramming, and the Delphi method (brainstorm) are available. For the modeling and evaluation of business processes, techniques are in use as flowcharting, IDEF, speech act modeling, data modeling, activity-based costing, time motion studies, Petri nets, role-playing, and simulation.

At the lowest, most concrete level a *tool* is defined as a computer software package to support one or more techniques. The majority of what some would call process redesign tools are actually process modeling tools. A large number of tools is also available for the evaluation of business process models, in particular supporting the technique of simulation (see Chap. 7). Fewer tools are available to structurally capture knowledge about the redesign directions or to support existing creativity techniques. Tools are often presented as “intelligent” or “advanced”, although hardly any of those actively design business processes.

Our concern in this chapter is foremost with redesign methodologies. Now, if you would take the effort to consider all the existing ones you will find that they are usually very specific about preliminary steps in a process redesign project, e.g. the assembly of the project team, and similarly specific towards the end, e.g. how to evaluate a new business process. They are not specific, however, on *how* to take an existing process and turn it into a better performing one. In other words, the *technical challenge* of process redesign is an underdeveloped area. An apt observation that we encountered on this phenomenon is provided by Alec Sharp and Patrick McDermott:

How to get from the as-is to the to-be [in a process redesign project] isn't explained, so we conclude that during the break, the famous *ATAMO procedure* is invoked (“And Then, A Miracle occurs”).

This part of the chapter provides concrete guidance for the technical challenge of process redesign. The two methodologies that we will describe are rather different. To see what distinguishes them it is important to understand the generic traits of process redesign methodologies. Generally speaking, such methodologies can differ with respect to their intensity and their starting point.

The *intensity* of a methodology refers to the pace that one aims with changing the process. Here, we can distinguish between what are commonly referred to as revolutionary and evolutionary levels. Process redesign was originally positioned as an approach that would aim for a radically different outcome, in other words: a revolution. However, methodologies that aim for a more incremental approach have

become much more popular. The latter kind would, obviously, qualify as aiming for an evolutionary intensity.

The other distinguishing point is the *starting point* of the redesign effort. One can (a) start from scratch, (b) from the traits of the existing process that is to be redesigned, or (c) from a good, general design, also known as a *reference model*. We will deal with these one by one.

Option (a): Historically, process redesign would follow a *clean slate* approach: the existing process would be completely abandoned and new ways of producing a particular product or service would be developed. It is for good reason that Michael Hammer, one of the gurus behind process redesign famously quipped: “Obliterate, don’t automate.” There are certain advantages to such an approach: It is much easier to get rid off the inefficiencies that have crept into the process by organic growth (see our earlier discussion). Also, the potential to come up with some truly innovative process alternative is in this way better exploited.

Option (b): Over the course of time, however, it has become a far more popular approach to closely look at the existing process. The reason behind this is that it turned out to be extremely hard to develop a complete process from scratch, in particular to cover all exceptions, to not forget any steps, and to add the required level of detail.

Option (c): The newest development is to start work from a *blueprint* or *reference model*. Such standard solutions are typically developed by consultancy and IT companies as representing the state-of-the-art on how to do purchasing, hire someone, or deal with complaints. The *IT infrastructure library (ITIL)* is a good example of such a solution, as it incorporates practical guidelines on how to do problem and incident management within service organizations. The promise of starting from a blueprint is that it will give an up-to-date and standardized view on how to carry out a business process.

Overseeing the landscape of process redesign methodologies, it is fair to say that using the existing process as a starting point has become at this point the most popular approach, followed by the use of a reference model. Building on either the existing design or a reference design, local updates are then identified, each of which contribute a gradual improvement of performance in comparison with the starting situation. Radical approaches are still being applied. In general, clean sheet, revolutionary approaches tend to be more risky as they break away from existing, known procedures. Yet, they also tend to deliver higher benefits *if* they succeed. After all, inefficiencies can be completely rooted out.

In the remainder of this chapter, we will deal with two different methodologies, which represent two extreme variants of the spectrum. First of all, we will discuss a methodology that is based on so-called redesign heuristics, which starts from an existing process to achieve gradual performance improvement. The second methodology is called Product-Based Design; this approach starts from a blank sheet of paper to come up with a radically improved process design. The two methods will give a fairly good idea of mainstream process redesign and at the same demonstrate how redesign methodologies can fundamentally differ.

8.2 Heuristic Process Redesign

We will now discuss the main stages in the methodology of *Heuristic Process Redesign*. Since there is an overlap between the activities that have been described in other chapters, we will focus on the technical challenge of generating a new process design and provide pointers to other parts of the book here. We will first outline the stages and then turn to its most important ingredient in more detail, i.e. the redesign heuristics that we mentioned earlier.

1. *Initiate*: In the first stage, the redesign project is set up. There are various organizational measures that have to be taken, e.g. setting up the project team, but from a technical perspective the most important goals are: (a) to create an understanding of the existing situation (as-is) and (b) to set the performance goals for the redesign project. For (a), the modeling techniques that have been discussed in Chaps. 3 and 4 are useful, as well as the analysis techniques explained in Chaps. 6 and 7 to gain an understanding of performance issues, bottlenecks, and improvement opportunities. To come up with a clearer picture on (b), the Devil's Quadrangle that has been discussed in this chapter is a great asset.
2. *Design*: Given the outcomes of the initiate stage, the design stage makes use of a fixed list of redesign heuristics to determine potential improvement actions on the existing process. For each of the heuristics that is being considered, it needs to be determined whether it is at all applicable and, if so, what a desirable action is. A redesign heuristic is desirable to apply if it helps to attain the desired performance improvement of the process under consideration. After consideration of each of the redesign heuristics, it makes sense to see which clusters of applicable and desirable heuristics can be created. While for some of the heuristics it may make sense to be applied together, for others this is not the case. For example, if you decide to automate a certain activity, it makes no sense to empower the resource that initially carried out that activity. In this way, a set of scenarios can be generated, each of which describes which redesign heuristics are applied in this scenario and, very importantly, how this is done. For example, if the heuristic to automate an activity is applied it needs to be specified which activities are subjected to it. The scenarios, therefore, should be seen as *alternatives* for the process redesign.
3. *Evaluate*: This is the stage where the different redesign scenarios as developed in the previous stage need to be evaluated. This evaluation can be done in a qualitative way, e.g. employing the techniques from Chap. 6, or in a quantitative way, see Chap. 7. In many practical settings, a combination of the two is used where a panel of experts assesses the attractiveness of the various scenarios and where simulation studies are used to underpin the choice for one particular scenario to develop further, potentially all the way to implementing it. An outcome of the evaluation stage may also be that none of the scenarios seems attractive to pursue or even powerful enough to establish the desirable performance improvement. Depending on the exact outcome, the decision may be to adjust the performance goals, to step back to the design stage, or to drop the redesign project altogether.

The description of the stages are here described as separate ones, but in practice they will be executed in highly iterative and overlapping ways. We will now focus the discussion of the methodology to the *redesign heuristics*. A redesign heuristic can be seen as a rule of thumb for deriving a different process. Many of the heuristics we present suggest a particular action to take, while others merely indicate the dimension along which a business process can be changed. The heuristics we present here are all based on historic redesign projects, where they were applied successfully to generate redesign scenarios.

We explained that improving a process is related to the elements we described in Sect. 8.1.2. Thus, we classify the redesign heuristics in a similar way. We identify redesign heuristics that are oriented towards the seven elements we discussed above: customers, business process operation, business process behavior, organization, information, technology, and external environment. Note that this distinction is not mutually exclusive. Therefore, some redesign heuristics could actually be assigned to more than one of these classes.

8.2.1 Customer Heuristics

Heuristics in this category focus on improving the interaction with customers. They focus on control relocation, contact reduction, and integration.

Control relocation: “Move controls towards the customer”. Different checks and reconciliation operations that are part of a business process may be moved towards the customer. Consider the example of Pacific Bell that moved its billing controls towards its customers, in this way eliminating the bulk of its billing errors. It also improved customer satisfaction. A disadvantage of moving a control towards a customer is higher probability of fraud, resulting in less yield.

Contact reduction: “Reduce the number of contacts with customers and third parties”. The exchange of information with a customer or third party is always time-consuming. Especially when information exchanges take place by regular mail, substantial wait times may be involved. Also, each contact introduces the possibility of an error injection. Imagine a situation where the multitude of bills, invoices, and receipts creates a heavy reconciliation burden. Reducing the number of contacts may in such a case decrease throughput time. Note that it is not always necessary to skip certain information exchanges, but that it is possible to combine them with limited extra cost. A disadvantage of a smaller number of contacts might be the loss of essential information, which is a quality issue. Combining contacts may result in the delivery or receipt of too many data, which involves cost.

Integration: “Consider the integration with a business process of the customer or a supplier”. This heuristic can be seen as exploiting the supply-chain concept known from production. The actual application of this heuristic may take on different forms. For example, when two parties have to agree upon a product they jointly produce, it may be more efficient to perform several intermediate

Table 8.1 Characteristics of the customer heuristics

	Time	Cost	Quality	Flexibility
Control relocation	·	–	+	·
Contact reduction	+	–	+	·
Integration	+	+	·	–

reviews than performing one large review after both parties have completed their parts. In general, integrated business processes should render a more efficient execution, both from a time and cost perspective. The drawback of integration is that mutual dependence grows and therefore, flexibility may decrease.

Using the dimensions of the Devil’s Quadrangle introduced earlier, a summary of the general effects of the three customer heuristics is shown in Table 8.1. This table shows that a heuristic can be generally expected to have a positive effect (+), a negative effect (–) or a neutral effect (·) on any of the dimensions of the Devil’s Quadrangle. Note that a *positive* effect on the cost dimension, as can be expected from the Integration heuristic, means that cost actually goes *down*.

Exercise 8.5 Explain the + sign for the contact reduction heuristic with respect to the time dimension.

8.2.2 Business Process Operation Heuristics

Business process operation puts the focus on the elements of a business process. There are five heuristics relating to case types: activity elimination, case-based work, triage, and activity composition.

Case types: “Determine whether activities are related to the same type of case and, if necessary, distinguish new business processes”. One should be cautious of parts of business processes that are not specific for the business process they are part of. Ignoring this phenomenon may result in a less effective management of such a *subflow* and a lower efficiency. Applying this heuristic may result in faster processing times and less cost. Yet, it may also result in more coordination problems between the business process (quality) and less possibilities for rearranging the business process as a whole (flexibility).

Activity elimination: “Eliminate unnecessary activities from a business process”. A common way of regarding an activity as unnecessary is when it adds no value from a customer’s point of view. Typically, control activities in a business process do not do this; they are incorporated in the model to fix problems created (or not elevated) in earlier steps. Control activities can often be identified by iterations in a process. The redundancy of an activity can also trigger activity elimination. The aims of this heuristic is to increase the speed of processing and to reduce the cost of handling an order. An important drawback may be that the quality of the service deteriorates.

Table 8.2 Characteristics of the business process operation heuristics

	Time	Cost	Quality	Flexibility
Case types	+	+	-	-
Activity elimination	+	+	-	.
Case-based work	+	-	.	.
Triage	.	-	+	-
Activity composition	+	+	.	-

Case-based work: “Consider removing batch-processing and periodic activities from a business process”. Some notable examples of disturbances in handling a single case are (a) that the case becomes piled up in a batch and (b) that the case is slowed down by periodic activities, e.g. because processing depends on a computer system that is only available at specific times. Getting rid of these constraints may significantly speed up the handling of individual cases. On the other hand, efficiencies of scale can be reached by batch processing which are reversed by this heuristic. Also, the cost of making information systems permanently available may be costly.

Triage: “Consider the division of a general activity into two or more alternative activities”. Through this heuristic, it is possible to design activities that are better aligned with the capabilities of resources and the characteristics of the cases being processed, which improves quality. On the other hand, specialization in general makes a process less flexible and may decrease the efficiency of work. An alternative form of the triage heuristic is to divide an activity into similar instead of alternative activities for different subcategories of the cases being processed. For example, a special cash desk may be set up for customers with an expected low processing time. Note that the triage heuristic can be seen as a translation of the case types heuristic on an activity level.

Activity composition: “Combine small activities into composite activities and divide large activities into workable smaller activities”. Composing larger activities should result in the reduction of setup times, i.e., the time that is spent by a resource to become familiar with the specifics of a case. By executing a large activity which used to consist of several smaller ones, a positive effect may also be expected on the quality of the delivered work. On the other hand, making activities too large may result in (a) smaller run-time flexibility and (b) lower quality as activities become unworkable. Both effects are exactly countered by dividing activities into smaller ones. Obviously, smaller activities may also result in longer set-up times. This heuristic is related to the triage heuristic in the sense that they both are concerned with the division and combination of activities.

The assessment of the heuristics that aim at the business process operation is summarized in Table 8.2. The meaning of the signs is the same as in the previous table. For example, case-based work can be expected to be highly beneficial in the time dimension; triage may boost the quality of a process. Note that only one manifestation of the activity composition heuristic is shown, i.e. the case that large activities are composed of smaller ones.

8.2.3 Business Process Behavior Heuristics

Business process behavior regulates the logic within the business process. There are four heuristics for this category, namely resequencing, parallelism, knock-out, and exception.

Resequencing: “Move activities to more appropriate places”. In existing business processes, actual activity orderings often do not reveal the necessary dependencies between activities. Sometimes it is better to postpone an activity if it is not required for its immediate follow-up activities. The benefit would be that perhaps its execution may prove to become superfluous, which saves cost. Also, an activity may be moved into the proximity of a similar activity, in this way diminishing set-up times. This heuristic is also known as process order optimization.

Parallelism: “Consider whether activities may be executed in parallel”. The obvious effect of placing activities in parallel is that throughput time may be considerably reduced. The applicability of this heuristic in business process redesign is large. In practical settings, activities are often ordered sequentially without the existence of hard logical restrictions prescribing such an order. A drawback of introducing more parallelism in a business process that incorporates possibilities of knock-outs is that the cost of business process execution may increase. Also, the management of business processes with concurrent behavior can become more complex (flexibility).

Knock-out: “Order knock-outs in an increasing order of effort and in a decreasing order of termination probability”. A typical element of a business process is the subsequent checking of various conditions that must be satisfied to deliver a positive end result. Any condition that is not met may lead to a termination of that part of the business process: the *knock-out*. If there is freedom in choosing the order in which the various conditions are checked, the condition that has the most favorable ratio of expected knock-out probability versus the expected effort to check the condition should be pursued. Next, the second best condition, and so forth. This way of ordering checks yields on average the least costly business process execution. Implementing this heuristic may result in a (part of a) business process that takes a longer throughput time than a full parallel checking of all conditions. The knock-out heuristic is a specific form of the resequencing heuristic.

Exception: “Design business processes for typical cases and isolate exceptional cases from the normal flow”. Exceptions may seriously disturb normal operations. An exception will require workers to get acquainted with the specifics of the exception even though they may not be able to handle it. Setup times are then wasted. Isolating exceptions may possibly increase the overall performance as specific expertise can be build up by workers working on the exceptions, even though this may come at a cost. A drawback is that the business process will become more complex, possibly decreasing its flexibility.

The assessment of the heuristics that target the behavior of the business process can be seen in Table 8.3. Again, the meaning of the signs is similar to those in

Table 8.3 Characteristics of the business process behavior heuristics

	Time	Cost	Quality	Flexibility
Resequencing	+	+	·	·
Parallelism	+	−	·	−
Knock-out	−	+	·	·
Exception	+	−	+	−

earlier tables. Note how the exception heuristic stands out with respect to improving the quality dimension.

8.2.4 Organization Heuristics

Organization refers to two categories of heuristics. The first set relates to the *structure* of the organization (mostly the allocation of resources). There are seven heuristics in this category, namely case assignment, flexible assignment, centralization, split responsibilities, customer teams, numerical involvement, and case manager.

Case assignment: “Let workers perform as many steps as possible for single cases”. By using case assignment in the most extreme form, for each activity execution the participant is selected who has worked on the case before—if any. The obvious advantage of this heuristic is that this person will have become acquainted with the case and will need less set-up time in carrying out subsequent activities. An additional benefit may be that the quality of service is increased: the participant knows exactly what the specifics of the case are. On the negative side, the flexibility of work allocation is seriously reduced. The execution of a case may experience substantial queue time when the person to whom it is assigned is not available, nullifying expected time gains.

Flexible assignment: “Assign work in such a way that maximal flexibility is preserved for the near future”. Suppose that an activity can be executed by either of two available participants, then the heuristic suggests to assign it to the most specialized person. In this way, the likelihood to commit the free, more general resource to another work package is maximal. The advantage of this heuristic is that an organization stays flexible with respect to assigning work and that overall queueing time is reduced: it is less probable that the execution of a case has to wait for the availability of a specific resource. Another advantage is that the workers with the highest specialization can be expected to take on most of the work, which may result in a higher quality. The disadvantages of applying this heuristic can be subtle. For example, work load may become unbalanced, resulting in less job satisfaction. Also, possibilities for specialists to evolve into generalists are reduced. These are both quality concerns. In certain situations, specialists may even be more expensive to carry out work.

Centralization: “Treat geographically dispersed resources as if they are centralized”. This heuristic is explicitly aimed at exploiting the benefits of a Business

Process Management System or BPMS for short (see Chap. 9). After all, when a BPMS takes care of assigning work to resources it becomes less relevant where these resources are located geographically. In this sense, this heuristic can be seen as a special form of the integral technology heuristic (see later in this chapter). The specific advantage of this measure is that resources can be committed more flexibly, which gives a better utilization and possibly a better throughput time. The introduction of a BPMS and training of the workforce may, of course, be substantial.

Split responsibilities: “Avoid shared responsibilities for tasks by people from different functional units”. The idea behind this heuristic is that activities for which different departments share the responsibility are more likely to be a source of neglect and conflict. Reducing the overlap in responsibilities should lead to a better quality of activity execution. Also, a higher responsiveness to available work may be developed, so that customers are served quicker. On the other hand, applying this heuristic may reduce the effective number of resources that is available for a work item. This may have a negative effect on its throughput time, as more queuing may occur, and the organization becomes less flexible.

Customer teams: “Consider to compose work teams of people from different departments that will take care of the complete handling of specific sorts of cases”. Depending on its exact desired form, the customer team heuristic may be implemented by the case assignment heuristic. On the other hand, a customer team may involve more workers with the same qualifications, in this way relaxing the strict requirements of the case assignment heuristic. Advantages and disadvantages are similar to those of the case assignment heuristic. In addition, working as a team may improve the attractiveness of the work, which is a quality aspect.

Numerical involvement: “Minimize the number of departments, groups and persons involved in a business process”. Applying this heuristic may lead to less coordination problems. Less time spent on coordination makes more time available for the processing of cases. Reducing the number of departments may lead to less split responsibilities, with similar pros (quality) and cons (flexibility) as the split responsibilities heuristic discussed before. Note that smaller numbers of specialized units may prohibit the build up of expertise (a quality issue) and routine (a cost issue).

Case manager: “Appoint one person to be responsible for the handling of each type of case, the case manager”. The case manager is responsible for a specific order or customer. Note that a case manager is not necessarily someone who works on the actual case and even if the person does, not exclusively so. The difference with the case assignment practice is that the emphasis is on management of the process—not its execution. The most important aim of the heuristic is to improve upon the external quality of a business process. The business process will become more transparent from the viewpoint of a customer: the case manager provides a single point of contact. This, in general, positively influences customer satisfaction. It may also have a positive effect on the internal quality of the business process, as someone is accountable for and committed to correcting mistakes. Obviously, the assignment of a case manager has financial consequences as capacity must be devoted to this job.

Table 8.4 Characteristics of the organization structure heuristics

	Time	Cost	Quality	Flexibility
Case assignment	.	.	+	-
Flexible assignment	+	-	.	+
Centralization	+	-	.	+
Split responsibilities	.	.	+	-
Customer teams	.	.	+	-
Numerical involvement	+	-	.	-
Case manager	.	-	+	.

The assessment of the heuristics that target the side of the organizational structure involved in a business process can be seen in Table 8.4.

The second set relates to the organizational population and the resources being involved in terms of type and number. This category includes three heuristics: extra resources, specialist-generalist, and empower.

Extra resources “If capacity is insufficient, consider increasing the available number of resources”. This is straightforward heuristic, which aims at extending capacity. extending the capacity to handle cases, in this way reducing queue time. It may also help to implement a more flexible assignment policy. Of course, hiring or buying extra resources has its cost. Note the contrast of this heuristic with the numerical involvement heuristic.

Specialist-generalist “Consider to deepen or broaden the skills of resources”. Participants in a process may be turned from specialists into generalists or the other way around. A specialized resource can be trained to gain more qualifications. A generalist, on the other hand, may be assigned to the same type of work for a longer period of time, so that skills in this area deepen while other qualifications become obsolete. In the context of designing an entirely new business process, the application of this heuristic comes down to considering the specialist-generalist ratio of new hires. Clearly, specialists build up routine more quickly and may have more profound knowledge in an area than generalists have. As a result, they work more quickly and deliver higher quality. On the other hand, the availability of generalists adds more flexibility to the business process and can lead to a better utilization of resources. Depending on the degree of specialization or generalization, either type of resource may be more costly. Note that this heuristic differs from the triage concept in the sense that the focus is not on the division of activities.

Empower “Give workers most of the decision-making authority instead of relying on middle management”. In traditional business processes, substantial time may be spent on authorizing the outcomes of activities that have been performed by others. If workers are empowered to take decisions autonomously, this may result in smoother operations with lower throughput times. The reduction of middle management from the business process also reduces the labor cost spent on the

Table 8.5 Characteristics of the organization population heuristics

	Time	Cost	Quality	Flexibility
Extra resources	+	-	.	+
Specialist-generalist	+	.	+	-
Empower	+	.	-	+

processing of cases. A drawback may be that the quality of the decisions is lower and that obvious errors are no longer identified. If bad decisions or errors result in rework, the cost of handling a case may actually increase compared to the original situation.

The assessment of the heuristics for the organization population can be seen in Table 8.5. Note that for the specialist-generalist heuristic, the general effects are included of investing into *more specialized* skills of the workforce. Clearly, investing in generalists gives the opposite effect.

8.2.5 Information Heuristics

The information category describes redesign heuristics related to the information the business process uses, creates, may use or may create. It includes control addition and buffering.

Control addition: “Check the completeness and correctness of incoming materials and check the output before it is sent to customers”. This heuristic promotes the addition of controls to a business process. Such additions may lead to a higher quality of the business process execution. Obviously, an additional control will require time, which may be substantial, and absorbs resources. Note the contrast between the intent of this heuristic and that of the activity elimination heuristic discussed earlier.

Buffering: “Instead of requesting information from an external source, buffer it and subscribe to updates”. Obtaining information from other parties is a time-consuming part in many business processes. By having information directly available when required, throughput times may be substantially reduced. This heuristic can be compared to the caching principle that microprocessors apply. Of course, the subscription fee for information updates may be costly. This is certainly so if we consider information sources that contain far more information than is ever used. Substantial cost may also be involved with storing all the information. Note that this heuristic is a weak form of the integration heuristic that is yet to be discussed.

A summary of the general effects of the two information heuristics are shown in Table 8.6.

Table 8.6 Characteristics of the information heuristics

	Time	Cost	Quality	Flexibility
Control addition	–	–	+	·
Buffering	+	–	·	·

Table 8.7 Characteristics of the technology heuristics

	Cost	Quality	Time	Flexibility
Activity automation	+	–	+	–
Integral technology	+	–	·	·

8.2.6 Technology Heuristics

This category describes redesign heuristics related to the technology the business process uses or may use. It includes activity automation and integral technology.

Activity automation: “Consider automating activities”. A particularly positive result of automating activities may be that activities can be executed faster and with a more predictable result. An obvious disadvantage is that the development of a system that performs an activity may be very costly. Generally speaking, a system performing an activity is also less flexible in handling variations than a human resource. Instead of fully automating an activity, it may also be considered to provide automated support to a resource executing an activity.

Integral technology: “Try to elevate physical constraints in a business process by applying new technology”. In general, new technology can offer all kinds of positive effect. For example, the application of a BPMS may result in less time that is spent on routing (electronic) work. A Document Management System, in its turn, will open up to all participants the information available on cases. This may result in a better quality of service. New technology can also change the traditional way of doing business by giving participants completely new opportunities. The purchase, development, implementation, training, and maintenance efforts related to technology obviously incur costs. In addition, new technology may instill workers with apprehension, which may decrease the quality of the business process.

The two technology heuristics can be characterized as is shown in Table 8.7.

8.2.7 External Environment Heuristics

The external environment category contains heuristics that try to improve upon the collaboration and communication with the third parties. These include trusted party, outsourcing, and interfacing.

Table 8.8 Characteristics of the external environment heuristics

	Cost	Quality	Time	Flexibility
Trusted party	+	+	.	-
Outsourcing	+	+	.	-
Interfacing	+	.	+	-

Trusted party: “Instead of determining information oneself, use the results of a trusted party”. Some decisions or assessments that are made within a business process are not specific to that process. Other parties may have determined the same information in another context, which—if it were available—could replace the decision or assessment. An example is the creditworthiness of a customer that bank A wants to establish. If a customer can present a recent creditworthiness certificate of bank B, then bank A may be likely to accept it. Obviously, the trusted party heuristic reduces cost and may even cut back throughput time. On the other hand, the quality of the business process becomes dependent upon the quality of some other party’s work. Some coordination effort with trusted parties is also likely to be required, which diminishes flexibility. This heuristic is different from the buffering heuristic, because the business process owner is not the one obtaining the information.

Outsourcing: “Consider outsourcing a business process completely or parts of it”. Another party may be more efficient in performing the same work, so it might as well perform it for one’s own business process. The obvious aim of outsourcing work is that it will generate less cost. A drawback may be that quality decreases. Outsourcing also requires more coordination efforts and will make managing the business process more complex. Note that this heuristic differs from the trusted party heuristic. In the case of outsourcing, an activity is executed at run time by another party. The trusted party heuristic allows for the use of a result in the (recent) past.

Interfacing: “Consider a standardized interface with customers and partners”. The idea behind this heuristic is that a standardized interface diminishes the occurrence of mistakes, incomplete applications, or unintelligible information exchanges. So, a standardized interface may result in less errors (quality) and faster processing (time). However, by standardizing the interface it becomes impossible to deal with exceptional situations (flexibility). The interfacing heuristic can be seen as a specific interpretation of the integration heuristic, although it is not specifically aimed at customers.

The characteristics of the external environment heuristics are summarized in Table 8.8. This concludes the description of the various heuristics. In what follows, we will be looking at their application.

8.3 The Case of a Health Care Institution

At this point, we will consider a realistic case of a healthcare institute (see Fig. 8.2). The case concerns the Intake process for elderly patients with mental problems, which is styled after the way this is carried out in the Eindhoven region. The Intake process starts with a notice by telephone at the secretarial office of the healthcare institute. This notice is done by the family doctor of the person who is in need of mental treatment. The secretarial worker inquires after the name and residence of the patient. On basis of this information, the doctor is put through to the nursing officer responsible for the part of the region that the patient lives in.

The nursing officer makes a full inquiry into the mental, health, and social status of the patient in question. This information is recorded on a registration form. After this conversation had ended, this form is handed in at the secretarial office of the institute. Here, the information on the form is stored in the information system and subsequently printed. For new patients, a patient file is created. The registration form as well as the print from the information system are stored in the patient file. Patient files are kept at the secretarial office and may not leave the building. At the secretarial office, two registration cards are produced for, respectively, the future first and second intaker of the patient. The registration card contains a set of basic patient data. The new patient is added on the list of new notices.

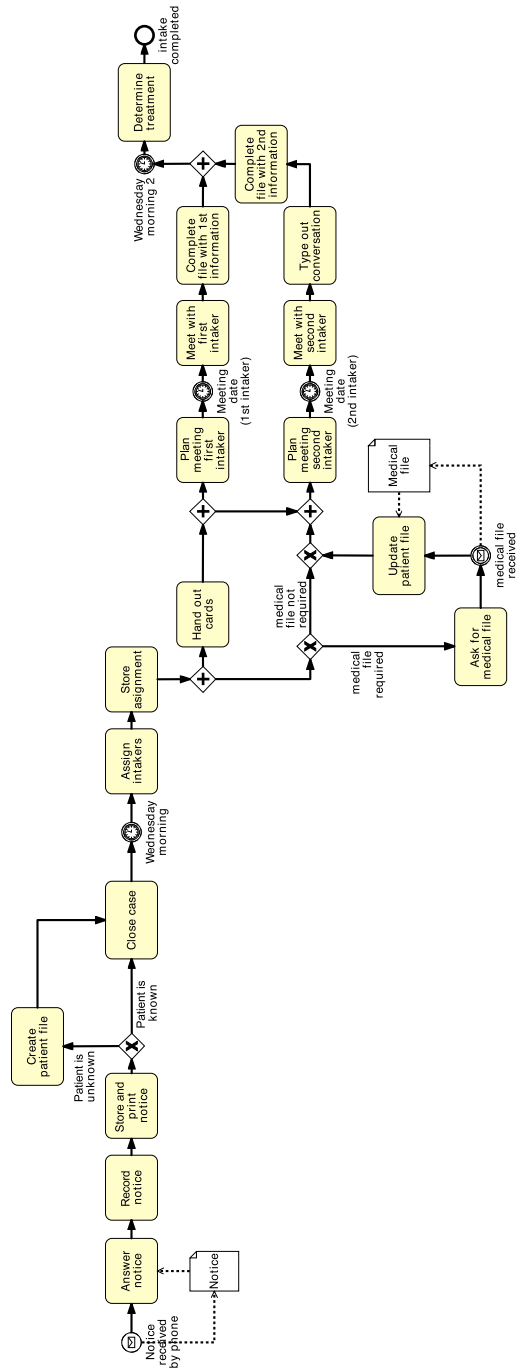
Halfway during each week, on Wednesday, a staff meeting of the entire medical team takes place. The medical team consists of social–medical workers, physicians, and a psychiatrist. During this meeting, the team leader assigns all new patients on the list of new notices to members of the team. Each patient will be assigned to a social–medical worker, who will act as the *first intaker* of the patient. One of the physicians will act as the *second intaker*. In assigning intakers, the team leader takes into account their expertise, the geographical region they are responsible for, earlier contacts they might have had with the patient, and their case load. The assignments are recorded on an assignment list which is handed to the secretarial office. For each new assignment, it is also determined whether the medical file of the patient is required. This information is added to the assignment list.

The secretarial office stores the assignment of each patient of the assignment list in the information system. It passes the produced registration cards to the first and second intaker of each newly assigned patient. An intaker keeps this registration at times when visiting the patient and being at the office. For each patient for which the medical file is required, the secretarial office prepares and sends a letter to the family doctor of the patient, requesting for a copy of the medical file. As soon as this copy is received, the secretarial office will inform the second intaker and add the copy to the patient file.

The first intaker plans a meeting with the patient as soon as this is possible. During the first meeting, the patient is examined using a standard checklist which is filled out. Additional observations are registered in a personal notebook. After a visit, the first intaker puts a copy of these notes in the file of a patient. The standard checklist is also added to the patient's file.

The second intaker plans the first meeting only after the medical information of the physician—if required—has been received. Physicians use dictaphones to record

Fig. 8.2 The intake process



their observations made during meetings with patients. The secretarial office types out these tapes, after which the information is added to the patient file.

As soon as the meetings of the first and second intaker with the patient have taken place, the secretarial office puts the patient on the list of patients that reach this status. For the staff meeting on Wednesday, they provide the team leader with a list of these patients. For each of these patients, the first and second intaker together with the team leader and the attending psychiatrist formulate a treatment plan. This treatment plan formally ends the intake procedure.

What we will now do is discuss three alternatives to the process, which all have been generated using the heuristics discussed so far. In other words, each design is derived from the existing process by the application of one or more re-design heuristics at appropriate places. To guide the derivation of these designs, we will assume that bringing back the cycle time of this process is the main objective.

8.3.1 Sending Medical Files by Post

A considerable part of the cycle time in the Intake process is consumed by the wait time for the medical file to arrive by post. On basis of the *integration* and *technology* heuristics we consider the alternative that medical files become available on-line to the mental health care institute. (In practice, this should presumably be restricted to read-only access for patients that are indeed reported to the mental health-care institute.) Note that this alternative presupposes a considerable usage of technology: doctors should store their patient information electronically and communication facilities should be installed as well.

By the direct availability of the medical file, the “Ask for medical file” activity in Fig. 8.2 is replaced by the “Access medical file” activity, which is performed by the secretarial office. Probably, roughly the same time that was spent on preparing and sending a request letter will be required for accessing and printing the patient file. The “Update client file” activity stays in place, but it is not triggered anymore by the “Medical file”. The wait time for the medical file is now completely reduced, which favorably influences the cycle time.

8.3.2 Periodic Meetings

As part of the Intake process, the staff meeting is planned at regular weekly intervals, on Wednesdays. During a staff meeting two important things take place:

1. for new cases, the first and second intakers are assigned, and
2. for cases for which both intake interviews have taken place, treatment plans are determined

From a process perspective, periodic restrictions on activities seem odd. Let us assume that an additional analysis of the Intake process points out that the first activity does not really require a meeting context, provided that the team leader has sufficient information on the criteria used for new assignments. Admittedly, the second activity is indeed best performed in the context of a meeting. This is because of the limited availability of the psychiatrists, which prohibits more flexible measures.

On basis of the *case-based work* heuristic, we consider as an alternative to the existing process that the team leader will carry out new case assignments as soon as they are due; the weekly meeting is strictly used for determining treatment plans. The process in Fig. 8.2 then changes in the sense that the “Wednesday morning” event is removed. Because the information is available to the team leader for taking assignment decisions, it can be expected that the original duration of the activity decreases. This time includes the report of the assignment to the secretarial office. Both the social–medical worker and the physician will no longer spend this time on the case. The cycle time of an average case will drastically drop, on average by 2.5 working days—half a working week—as this is the expected time a new case has to wait before it is assigned (assuming a uniform distribution of cases over the week).

8.3.3 Requesting Medical Files

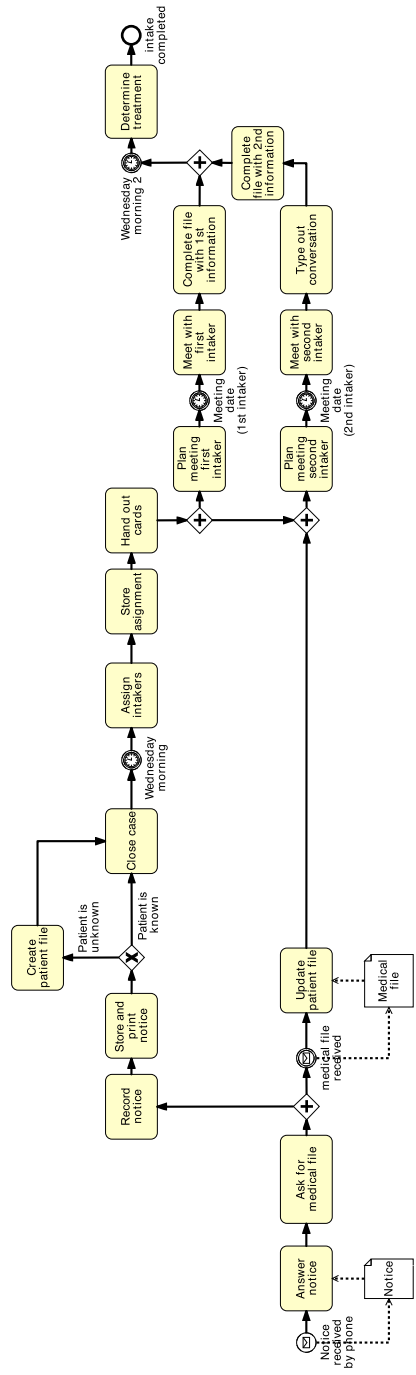
For each new case, a decision has to be made whether the medical file of the patient will be requested. This request is made to the family doctor. It should be noted that the family doctor is also the one who notifies the new case at the initiation of the process. This raises the question whether the *contact reduction* heuristic may be applicable. Closer inspection of the routing of individual cases shows that in 95 % of all new cases the medical file is requested for. This extremely high figure certainly justifies consideration of the *exception* heuristic. After all, not requiring the medical information seems to be the exception.

A combined application of the *contact reduction* heuristic, the *exception* heuristic and the *resequencing* heuristic leads to an alternative process design where the secretarial office directly asks for the medical file after the family doctor makes contact with the mental health care institute. Also, the routine is dropped to determine for each case at a staff meeting whether medical information is required. The new process design is shown in Fig. 8.3.

Note that in this case, the exception heuristic coincides with the secondary interpretation of the *triage* heuristic. What used to be an alternative activity, asking for medical information, has become a general part of the process. As a result, the cycle time is sharply reduced.

This ends the explanation of Heuristic Process Redesign. While this methodology still involves a fair dose of creativity and skills, the availability of redesign heuristics helps to more easily generate new designs. Each time the heuristics are used, it makes sense to consider which sets of heuristics are applicable by taking the redesign goals into account.

Fig. 8.3 The intake process after the medical file redesign



Exercise 8.6 Consider the three redesign scenarios that were discussed previously. As explained, these scenarios focus on the reduction of cycle time of the process in question. Can you explain how the other performance dimensions are affected by these scenarios?

8.4 Product-Based Design

The methodology of *Product-based Design* is very different from Heuristic Process Redesign. First of all, it aims at radically rethinking how a particular product or service can be created instead of using an incremental approach as we saw before.

Secondly, not so much the existing process is the starting point of the redesign. Rather, the characteristics of the particular product that the process-to-be is expected to deliver are used to, in fact, *reason back* what that process should look like. Think of it in this way: if you like to produce a red, electronic vehicle on four wheels, you are certain that the process to produce it at some stage must involve the production or purchase of a chassis, that there is a step needed to assemble four wheels to that chassis, that you will need to insert a battery at some point, and that you will need to paint the vehicle (if you cannot get your hands on red parts, that is). You are perhaps not sure in what order these things need to take place exactly, but you can at least identify some logical dependencies. For example, you are better off painting the vehicle *after* you acquired the chassis.

The idea behind Product-based Design is that by *ignoring* the existing process to create a particular product it becomes feasible to develop the leanest, most performative process possible. While Product-based Design is more ambitious than Heuristic Process Redesign, it is also more limited in its application scope: It has been specifically developed to design processes that produce informational products, e.g. a decision, a proposal, or a permit. It is this informational product that is analyzed and laid down in a *product data model*. There is a striking resemblance between this model and the *bill-of-material* (BOM) as used in the manufacturing domain. The product data model is subsequently used by the designer to determine the best process structure to create and deliver that product. Given that there are, in general, multiple ways to produce an informational product, Product-based Design discloses all of these.

After this brief introduction, we will now outline the steps of Product-based Design. The most important stages are:

1. **Scoping:** In this initial phase the business process is selected that will be subject to the redesign. The performance targets for this process are identified, as well as the limitations to be taken into consideration for the final design.
2. **Analysis:** A study of the product specification leads to its decomposition into information elements and their logical dependencies in the form of a *product data model*. The existing business process—if any—is diagnosed to retrieve data that are both significant for designing the new business process and for the sake of evaluation.

3. Design: Based on the redesign performance objectives, the product data model, and (estimated) performance figures, one or more process designs are derived that best match with the design goals.
4. Evaluation: The process designs are verified, validated with end-users, and their estimated performance is analyzed in more detail. The most promising designs can be presented to the commissioning management to assess the degree in which objectives can be realized and to select the most favorable design to be implemented.

These phases are presented in a sequential order, but in practice it is often desirable that iterations will take place. For example, the evaluation phase is explicitly aimed at identifying design errors, which may result in rework on the design. The focus of the remainder of this section will be on the analysis and design phases. The purpose is not to treat all the details of this method, but to give the reader an idea of the approach, its main artifacts, and how it is different from Heuristic Process Redesign.

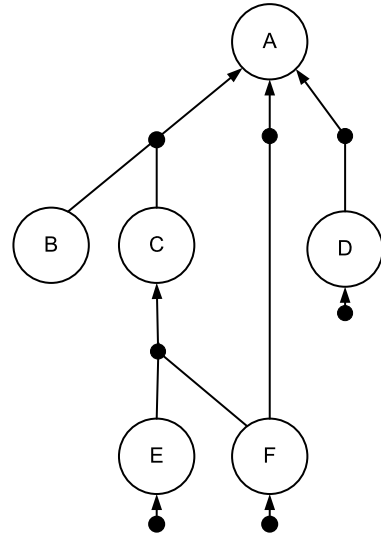
8.4.1 Analysis: Creating a Product Data Model

In the analysis phase, all distinguished materials that may be relevant sources on the characteristics of the product to-be-delivered are analyzed. The purpose is to identify information elements, their dependencies, and the processing logic involved, i.e. how existing information can be combined to create new information. For a proper representation of this information, we will be using a tree-like structure that we will refer to as a *product data model*. This structure is different from the traditional BOM found in manufacturing, which is due to several differences between informational products and physical products. These differences lead to two important updates of the traditional BOM. First, the same piece of information may be used to manufacture various kinds of new information. Therefore, also non-tree-like structures are possible. For example, the age of an applicant for a life insurance may be used to estimate both (a) the involved health risks for that patient and (b) the risks of work related accidents. Secondly, there are no physical constraints to produce an informational product and therefore there are typically multiple ways to derive a piece of information. For example, health risks may be estimated using either a patient questionnaire or a full medical examination of that patient.

At this point, we present a graphical example of a product data model, as shown in Fig. 8.4.

All nodes in this figure correspond to information elements that may be used to decide whether some candidate is suitable to become a helicopter pilot in the Dutch Air force. We will refer to this model throughout the remainder of this section as the helicopter pilot product data model. Arcs are used to express the dependencies between the various pieces of information, i.e. the information elements. The meaning of the information elements is as follows:

Fig. 8.4 The helicopter pilot product data model



- *A*: suitability to become a helicopter pilot.
- *B*: psychological fitness.
- *C*: physical fitness.
- *D*: latest result of suitability test in the previous two years.
- *E*: quality of reflexes.
- *F*: quality of eye-sight.

Each incoming arc of a node signifies an *alternative way* of determining a value for the corresponding information element for a specific case. If outgoing arcs of multiple nodes are *joined*, this means that values of all of the corresponding information elements are required to determine a value for the information element the arrow leads to. There are also information elements which have incoming arrows that do not originate from other information elements. These relate to those elements that do not rely on the values of other information elements, e.g. element *B*. We will refer to such information elements as *leaf elements*.

One of the things that is expressed in Fig. 8.4 is that there are three ways to determine a value for information element *A*. The suitability of a candidate (*a*) can be determined on the basis of:

1. the combined results of the psychological test (*B*) and the physical test (*C*)
2. the result of a previous suitability test (*D*), or
3. the candidate's eye-sight quality (*F*)

The way in which a new piece of information is determined on the basis of one or more pieces of other information is called a *production rule* or an *operation*. In reality, different production rules may be applicable under different conditions. It may be the case that a pilot's eye-sight is extremely bad (*F*), which directly gives as a result that the candidate is not suitable (*A*). However, in a more common case,

the eye-sight quality is one of the many aspects that are incorporated in a physical test (*B*), which should be combined with the outcome of the psychological test (*C*) to determine the suitability result (*A*). Also, not for each candidate that applies to become a pilot any previous test result (*D*) will be available—quite the contrary. But if there is one of a recent date, it can be used directly.

From the helicopter pilot product data model it becomes clear how the dependencies between data may be used to derive a favorable design. For example, if the target is to minimize the cost it may be wise to check first whether there is a previous test result and next to check the eyes of the candidate. Only if these checks do not lead to rejecting the candidate, a full examination is additionally required. Obviously, the expected cost of all these activities really determine whether this is a good design.

In practice, when analyzing materials that cover the product specification, it is a good idea to distinguish the top information element first. Examples of typical top elements are:

- for a banking process: the decision whether a loan should be granted to a company and, if so, under which conditions and for which amount.
- for a claim process of a social security agency: the decision whether an applicant should receive an unemployment allowance and if so for what reasons, for which period, and for which amount.
- for an intake process of an insurance company: the decision whether a family can be accepted as the holders of a health insurance policy.

Using the top element as the desired end result, it is a logical exercise to identify the information that can be used to directly render a value for the top information element. Obviously, this approach can be repeated for the newly found information elements.

Instead of such a top-down analysis, it may at times be more attractive to start at the beginning of the existing process, for example by analyzing application forms, complaint forms, and request forms that are in use to start the process. This is certainly feasible, but it bears the risk of the inclusion of superfluous information elements in the product data model. In a practical application of Product-based Design for a Dutch bank, we compared a posteriori the amount of information that was originally obtained in the business process and the information that was obtained in the final design. This comparison showed that almost 30 % of the originally obtained information was superfluous.

Another issue is how to pick the right information elements in a product data model. The following aspects are relevant for this choice:

1. an information element is too large if different parts of it are used in different production rules; the information element should be broken up to enable the application of production rules without determining irrelevant information.
2. information elements should not be necessarily associated with their physical manifestation, nor is it necessary that physical information carriers have an information element counterpart (avoid information elements like “intake form” or “computer screen output”).

- information elements may be atomic, for example a name or a credit score, or composite. Examples for the latter are: all members of a family, a listing of all the requested products with their characteristics, or an overview of all the payment conditions that are in effect. The type of a composite information element is composed type, e.g. a set of numerals, free text, or a Boolean value.

Exercise 8.7 The following is an excerpt of the stipulations of a Dutch bank concerning medium length business loans:

The funds for a medium length loan that is made available to a client but which is not withdrawn by the client must be placed on the money market. If the funding cost of the loan is higher than the rewards of the temporary placing, this difference is the basis for the monthly disposal provision. The disposal provision amounts to half of this difference with a minimum of 1/12 % per month. The disposal provision should be part of the loan proposal.

Develop a product data model. Consider the “loan proposal” as the top information element. You may leave out the production rules for this exercise.

The next step in completing the product data model is describing as accurately as possible the involved production rules. All the production rules that relate to a specific product data model are referred to as its *production logic*. The step to determine the production logic may either follow up on the complete identification of all production rules, or may take place as soon as a new production rule has been distinguished. The production logic specifies how the value of an output information element may be determined on the basis of the values of its inputs. Note that some of the inputs may not be used in every calculation, but required for specific cases or to test constraints. The description of production logic may be given in pseudo code or another rather precise specification language. For example, using the helicopter pilot product data model again: The production rule that relates to the use of a value for F to determine a value for A may be: “If a candidate’s vision of either or both eyes as expressed in diopters is above $+0.5$ or below -0.5 , then such a candidate is considered as *unsuitable* to become a helicopter pilot”.

Exercise 8.8 In the helicopter pilot product data model, there are two additional ways to determine someone’s suitability to become a helicopter pilot beyond the one that was just mentioned. Provide sample production rules for both of these. Indicate separately under which conditions they are applicable.

The most important criteria on any language for the purpose of specifying the production logic are expressiveness and clarity. A representation of the production logic for each production rule is valuable for at least four reasons:

- Writing out the full specification is a direct validation on the distinguished inputs of the involved production rule: forgotten inputs or bad data types can be detected.
- An analysis of the production logic is relevant for the estimation of performance characteristics when actually determining information with this production rule:

labor and computer cost, speed, accuracy, etc. These characteristics are useful—as will be shown—in designing the workflow.

3. A representation of production logic that is of an algorithmic nature can be used as a functional specification for the information system that can execute this production rule. This is an important stepping stone for system development activities that may follow up the workflow redesign.
4. If the production logic is not totally algorithmic, it is likely that a human operator must execute it in practice. Then, the production logic is of use to develop task instructions for these operators.

The most accurate descriptions of production logic can be given when it involves an exact algorithm. In such a case, we will speak of a *formal* production rule. However, the production of many information elements in office settings is often not or not completely formal. It may be relevant, required or even the only option that a human passes a judgment without following a totally formalized decision making process. A typical example of such a non-formal production rule would involve the question whether some one is responsible for one's own discharge. If there is a dispute, opposite explanations of different parties must be taken into account. A human expert may be called in to determine the plausibility of these explanations, as there are no known algorithms to do this. Another example is whether the purchase of some good is ethically admissible, which is a relevant piece of information in determining whether a loan should or should not be granted for this purpose. This decision may suppose a value system that is hard to describe formally.

If a production rule is not of a formal nature it is important to at least check if all the required inputs are identified. Also, as noted before, describing as precisely as possible how the output must be produced on the basis of its inputs is a valuable step in determining working instructions for non-formal production rules. These working instructions can be provided to the people who will actually be responsible for determining the involved information in practice, that is to say: when the designed process is put into production. These rules may very well signal where Knowledge Management Systems can be beneficial.

Exercise 8.9 Consider an issue-to-resolution process (see Chap. 1). Determine two information elements that are important to provide a value for in this process, one of which involves a formal production rule and the other which is not.

Although a complete univocal procedure may not exist for a production rule, it is often the case that *under specific circumstances* this decision is completely formal. For example, in determining whether someone qualifies for an unemployment allowance it is relevant to determine what the usual pattern of labor hours for this person was during a week. In special cases, someone's actual labor pattern may be whimsical, e.g. due to a combination of different jobs or seasonal labor. So, determining the usual pattern is best done in those cases by using human interpretation.

However, if the applicant has a steady pattern of working hours for a long period of time, e.g. eight hours per day within one job, from Monday to Friday over the last five years, determining the usual labor pattern is straightforward and can be

described formally. Another example is the authorization function that must be performed to determine whether a loan proposal may be sent to a client. Generally, this function is a matter of human judgment, which must take a large number of factors into account. On the other hand, if the loan sum is small, the client is a known client with sufficient coverage, and the purchasing goal is standard, the proposal may be acceptable with no further inspection.

When all information elements, their inter-dependencies and the production logic have been described, a final analysis step follows. This last step is required to identify all the characteristics that are relevant to design a business process that is efficient in terms of cost, reliability, or speed. The final analysis step consists of three steps, which we will describe here only briefly:

Source analysis The source analysis is aimed at identifying the sources of all the leaf elements in the product data model, i.e. the ones that do not rely on other information elements. Typically, multiple sources are available to obtain the same piece of information. For example, a record of historical grants of unemployment allowances may be obtained directly from an applicant or from the agencies that have provided these allowances in the past. Another example is somebody's payable debt position. In Europe, a bank may obtain this information from different scoring agencies (e.g. Experian, Equifax, Schufa, BKR). Different ways of obtaining information may have different characteristics. A client may be very willing to self-report information about credit positions, but this information may not be very reliable. Similarly, local authorities may provide correct domestic information at a very low cost, but their response time may be considerable. Depending on the criteria that are identified in the scoping phase, it is wise to first identify the possible sources for each leaf element and subsequently score them on relevant points of comparison. Assuming general performance goals like improving efficiency, bringing back throughput time while maintaining (or improving) an existing quality level, relevant points of comparison for each leaf are: cost of obtaining it, delivery speed of the information, availability of the specific information and reliability of the provided information.

Production analysis The production analysis focuses on the identified production rules with the aim to estimate the involved cost, speed, and quality of producing the new information. As there may be different ways to obtain a piece of information, similarly different production rules typically exist for the same piece of information. Designing the process is for a large part concerned with selecting the right set and the right execution order of production rules given a set of performance targets. From these targets it becomes clear which optimization criteria are prevailing. For example, suppose that an important performance target aims at a reduction of the labor cost. If there are two rule for the same piece of information, the one that takes the least amount of time is the one may be preferred. After all, the formal production rule may be automated. Obviously, this efficiency gain should be set off against the cost and time, which is involved with developing the software. It should be noted here that the production analysis is a very time-consuming part of the analysis phase, even more so when there is a poor tradition of operations measurement within the company at hand. The time that

should be invested in obtaining reliable information should be balanced against the desired reliability of the quality estimates of the process design.

Fraction analysis The fraction analysis involves a study of the distribution of information element values. As we already explained, an information element may carry specific values. For example, the value of the information element “travel insurance required” may be either yes or no. The figures on the likelihood of information elements taking on specific values may be very relevant to design an efficient process. In combination with the figures from the production analysis (cost, speed, etc.), favorable orderings of executing production rules may be determined. For example, suppose that there are two production rules for the same information element with different applicability domains, with very different input elements, but with a similar cost structure to obtain values for them. In such a case, it may be wise from a cost perspective to aim at executing the rule with the widest applicability first. Only if this production rule does not yield an outcome, applying the other rule may be tried.

As has become clear, each of the separate analyzes are useful for deciding on the actual design of the to-be business process. Note that the steps not necessarily need to be executed in the order they are described here. The heart of the matter is that the results of these analyzes together provide a good basis for the actual act of process design.

8.4.2 Design: Deriving a Process from a Product Data Model

In this part, we will consider how a product data model can be used to derive a process design. For that purpose we will refer again to the helicopter pilot product data model. When developing a process design, we will allow for the creation of an activity for each information element in the product data model. Such an activity is concerned with creating a value for that information element according to a particular production rule. If the need is there, more than one activity for each information element may appear. Such duplicates, for example, can help to improve the readability of a process model that describes the process design.

Activities may only be incorporated in a process model in a way such that the dependencies between the information elements in the product data model are respected. That means that an information element can only be created by invoking a corresponding activity if the process design ensures that the required values for its inputs elements may have become available. So, for example, if we like to create an activity that produces a value for element *X* on the basis of a production rule that requires input values for *Y* and *Z*, the process design should ensure that values for *Y* and *Z* are created before this new activity is initiated. A process design that is generated with Product-based Design in such a way is called *correct*. Note that activities for creating values for leaf elements may be inserted at any stage: They do not require inputs after all.

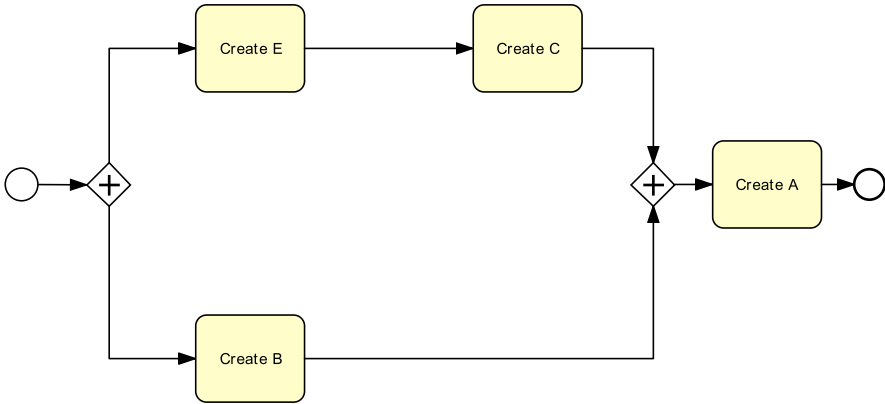


Fig. 8.5 An incorrect process design for the helicopter pilot product data model

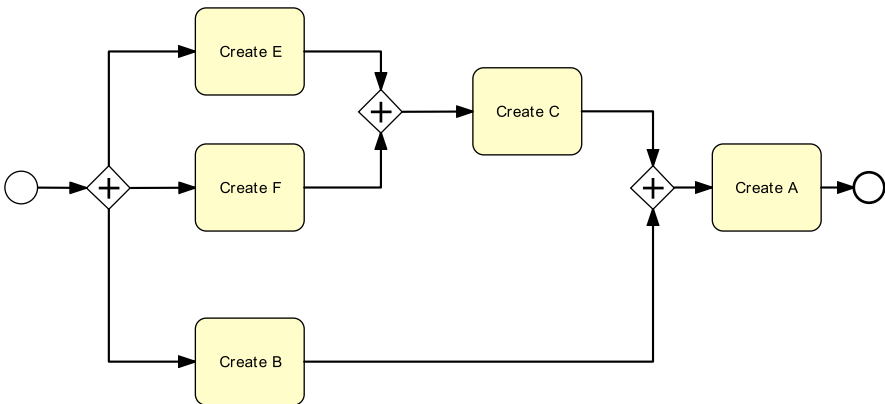


Fig. 8.6 A correct process design for the helicopter pilot product data model

Consider the process models that are depicted in Figs. 8.5 and 8.6. They represent alternative process designs. Both designs include an activity that is involved with the creation of information element *A*. In Fig. 8.5 it can be seen that the “Create *A*” activity will be invoked after the creation of information element *B*, which is created in parallel to the successive creation of values for *E* and *C*. However, the product data model in Fig. 8.4 shows no production rule for creating a value for *C* on the basis of *E* alone. Yet, there is a production rule that shows how the combined use of *E* and *F* can be used for that, but in this design no value for *F* is determined before the creation of a value for *C*. The design in Fig. 8.5 is, therefore, *not correct*.

Compare this design with the one in Fig. 8.6. Here, all creation activities are either producing values for leaf elements in the product data model (*E*, *F*, *B*) or create values for information elements on basis of production rules for which the inputs are created by preceding activities (*C*, *A*). The design in this figure is, therefore, *correct*.

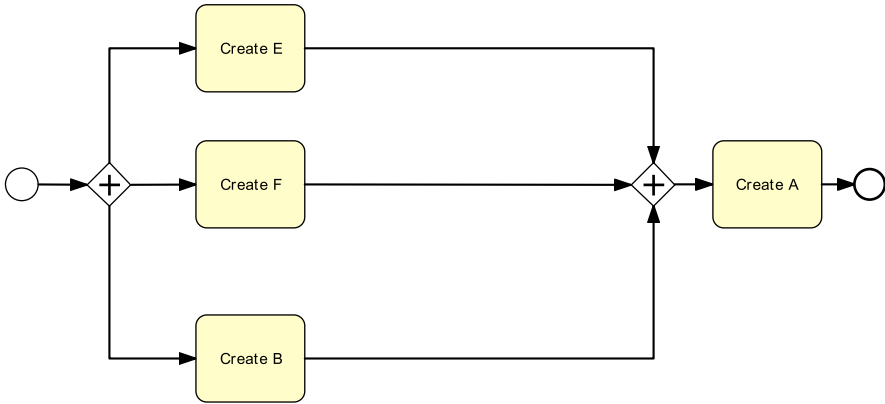


Fig. 8.7 An alternative process design for the helicopter pilot product data model

Exercise 8.10 Consider the process design that is visualized in Fig. 8.7. Is this a correct process design? Motivate your answer.

The second important criterion to be taken into consideration for a process design that is generated with Product-based Design is called *completeness*. A process design may or may not cover all the information elements that have been identified in a product data model. If a process design covers all information elements in a given product data model we will call it *complete*. Consider the designs in Figs. 8.5, 8.6, and 8.7. None of these designs cover the creation of a value for *D*, even though *D* is part of the product data model that these designs refer to. We therefore say that these designs are *not complete*.

Leaving out the creation of values for information elements from a process design may be a deliberate choice. In such a case, leaving out *D* inhibits the potential determination of a value for *A* using the production rule that has *D* as an input. It may very well be that on the basis of the analysis of data, the process designer deliberately decided not to include this option. This would make sense in a situation where very few applicants try to re-apply to become a helicopter pilot. After all, including this option may complicate the design, but not add much value in practical terms. On the other hand, the designer may have overseen this option overall, which explains why it is useful to check for completeness.

Exercise 8.11 Develop a *complete* process design on the basis of helicopter pilot product data model and capture that design as a process model.

Note that a process design that is complete with respect to information elements may still not exploit all available production rules. Without exact information on which production rules are used for which creation activities, though, this may be hard to determine. Clearly, it may be important for designers to check in practical applications of Product-based Design whether they have exploited all the opportunities that a product data model provides.

We can impose other quality criteria on process designs and many of these criteria can be extracted from more widely applicable ones. For example, we often like to capture a process design in the form of a *sound* process model, see Chap. 5.4.1.

At this point, we consider as a more important issue the *performance* of the process that is designed with Product-based Design. We mentioned that during the scoping phase of a project, the performance criteria are to be established for the process in question. One of the most important trade-offs is whether the design should result in a *fast* process versus an *efficient* process. A fast process can be designed by exploiting the opportunities to work in parallel. This may, however, not at all be an efficient process. Given that, in general, there may be different ways to establish a value for the same information element, a parallel process potentially induces too much work to be done. A more efficient way of carrying out a process would be to do as little work as possible, prioritize less costly yet effective activities, and only refer to alternatives if absolutely necessary. Note how these two different perspectives coincide with the parallelism and knock-out redesign heuristics we discussed earlier in this chapter.

Exercise 8.12 Develop a complete process design on the basis of helicopter pilot product data model and capture it as a process model. The design should involve a cost-efficient process. You may assume that the production rules to create a value for *A* on the basis of *D* or *F* are rather, just as the creation of values for the leaf elements. The use of the production rule for *A* that has *B* and *C* as inputs is, however, much more expensive.

While many other performance criteria can be taken into account when applying Product-based Design, we will not deal with them at this place. It is important to realize that a more sophisticated notion of performance will also assume more detailed information to be available. For example, if it is important to design a *secure* process it is important to understand the *risks* that are involved with obtaining or creating values for information elements.

8.5 Recap

In this chapter, we discussed the motivation for process redesign. The Devil's Quadrangle helped us to clarify that many redesign options have to be discussed from the perspective of a trade-off between time, cost, quality, and flexibility. Redesign can be approached as a purely creative activity or using a systematic technique. In this chapter, we focus on two of such systematic approaches, namely Heuristic Process Redesign and Product-based Design.

The methodology of Heuristic Process Redesign involves the phases of initiation, design, and evaluation. Various heuristics are available to support the design phase. They focus on the seven areas being related to processes, including customers, business process operations, business process behavior, organization, information, technology, and the external environment. We studied the application of some the heuristics in the case of a health care institution.

As an alternative method, we discussed a product-based design approach. The idea is to use a decomposition model of the product as a starting point, and infer options on what the process model for constructing the product could look like. Central to this method is the analysis and specification of the product data model. The actual design can then be tuned to the desirable performance characteristics of the process.

8.6 Solutions to Exercises

Solution 8.1 This is a hands-on exercise. A potential to approach this question might be to think of companies that offered services which are now provided by other companies via the internet.

Solution 8.2

1. “An airline has seen its profits falling over the past year. It decides to launch a marketing campaign among its corporate clients in the hope that it can extend its profitable freight business”: Not a redesign initiative, no link to process.
2. “A governmental agency notices that it is structurally late to respond to a citizen’s queries. It decides to assign a manager to oversee this particular process and to take appropriate counter actions”: Redesign refers to *participants* and the *business process* itself.
3. “A video rental company sees that its customer base is evaporating. It decides to switch to the business of promoting and selling electronic services through which clients can see movies on-line and on-demand”: Not so much a process redesign initiative; although there is certainly a link to process and products, this is much more a strategic initiative.
4. “A bank notices internal conflicts between two different departments over the way mortgage applications are dealt with. It decides to analyze the role of the various departments in the way applications are received and handled to come up with a new role structure”: A redesign initiative touches on *process* and *participants*.
5. “A clinic wants to introduce the one-stop-shop concept to improve over the situation that its patients need to make separate appointments for the various diagnostic tests that are part of a procedure for skin cancer screening”: A redesign initiative touches on *process* and *customers*.

Solution 8.3

1. Dealing with a customer complaint: Suitable.
2. Carrying out cardiovascular surgery: Mildly suitable, there are physical constraints involved here.
3. The production of a wafer stepping machine: Not very suitable, highly physical process.

4. Transporting a package: Mildly suitable, there are physical constraints involved here.
5. Providing financial advice on composing a portfolio: Suitable.
6. Designing a train station: Suitable.

Solution 8.4 Consider the following redesign acts. Which performance measures are affected by these, either positively or negatively?

1. “A new computer application is developed that speeds up the calculation of the maximum loan amount that a given client can be offered”: Time is positively affected, development of the application may be costly.
2. “Whenever a clerk wants to have a quote from a financial provider, the clerk must use a direct messaging system instead of e-mail”: Quality and time may be positively influenced since the feedback is obtained directly and may be more to the point. Quality may also be negatively affected, depending on the kind of feedback this interaction generates.
3. “By the end of the year, additional, temporary workers are hired and assigned to picking items for fulfilling Christmas orders”: This provides more flexibility which may also be exploited to improve timeliness. It is clearly a costly affair and temporary workers may deliver lower quality since they are less familiar with the operations.

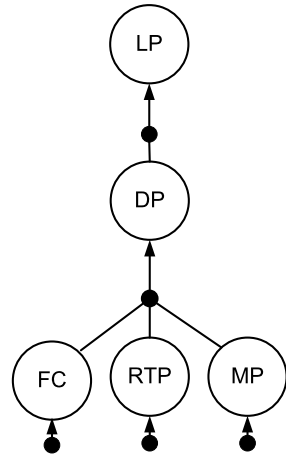
Solution 8.5 The + sign signifies a positive development with respect to the time dimension. Since process redesign is in general concerned with speeding up the process, a positive contribution necessarily relates to bringing back the time in terms of, for example, cycle time or service time. In the case of the contact reduction heuristic, the most likely scenario is that the time is reduced that is related to waiting for responses of customers or third parties. This explains the + sign.

Solution 8.6 This is a hands-on exercise. What is important is to identify under which assumptions positive or negative impacts can be expected.

Solution 8.7 The product data model is shown in Fig. 8.8. The meaning of the labels of the information elements is as follows:

1. LP: The loan proposal, the top element. Within the limits of the provided text, this is the ultimate piece of information that can be established.
2. DP: The disposal provision. This is the single element that is being mentioned in the given text as the information that must be included in the loan proposal.
3. FC: The funding cost of the loan. It is this information element that must be compared with rtp, the next element.
4. RTP: The rewards of the temporary placing. This piece of information is to be compared with fc. The disposal provision is based on this comparison.
5. MP: The minimum percentage. This is actually a constant, which is used under certain conditions.

Fig. 8.8 Solution for the loan proposal



Solution 8.8 Production rule 1. To determine the value for *A* on the basis of *B* and *C*: “If both the psychological fitness and physical fitness of the candidate are considered excellent, then the candidate can be considered as suitable to become a helicopter pilot”.

Production rule 2. To determine the value for *A* on the basis of *D*: “If the earlier test result indicated that a candidate was unsuitable to become a helicopter pilot, then the candidate is (still) considered as unsuitable to become a helicopter pilot”.

Production rule 1 is always applicable. Production rule 2 is only applicable if the candidate has undergone a previous suitability test.

Solution 8.9 Information element 1: Issue class. This information element provides the severity of the issue that a client brings forth. It can be conceived as an information element that results from a formal production rule, where an employee must use a weighted evaluation formula to determine this severity.

Information element 2: Client agreement. This information element provides a client’s opinion on whether an issue has been satisfactorily resolved. There is no formal production rule that relates it to it. The client provides her opinion, which is not governed by an algorithm.

Solution 8.10 The solution is shown in Fig. 8.9. Note that the design is complete since all information elements of the product data model are covered. Note that not all production rules are included, i.e. there is no way to establish a value for *A* on the basis of a value for *B*. This, however, does not affect its completeness. Also note that the design is correct (check for yourself).

Solution 8.11 The solution is shown in Fig. 8.10. Note that in this design as little work is done at each step, in search of opportunities to quickly terminate the process. First, the use of a value for *D* is pursued but, of course, an earlier result may not be available. Next, a value for *F* is created. Under certain circumstances, i.e. when

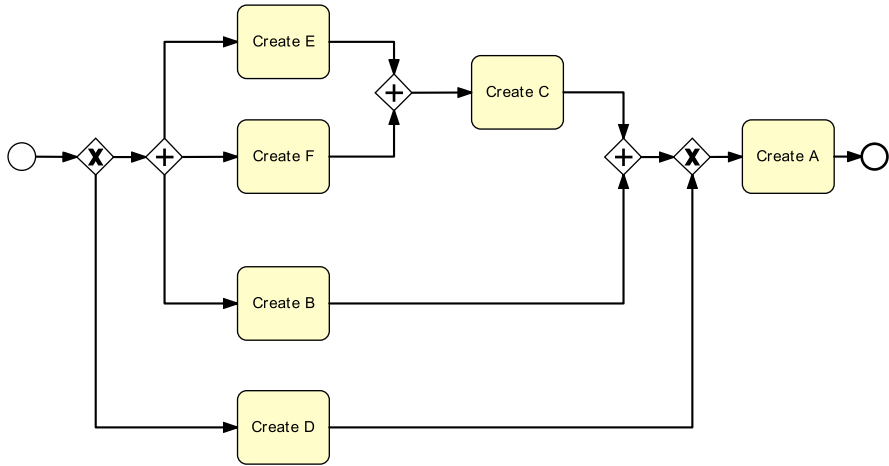


Fig. 8.9 A complete process design for the helicopter pilot product data model

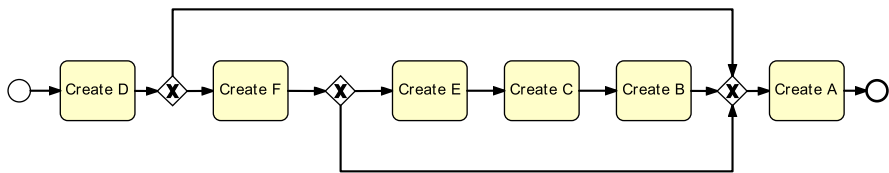


Fig. 8.10 A cost-efficient process design for the helicopter pilot product data model

eye-sight is very bad, this may lead to a determination of a value for A (not suitable). If this fails to stop the process, there is no other option than to produce values for all remaining information elements. Compare this design with the solution for the previous exercise.

8.7 Further Exercises

Exercise 8.13 Following is the literal description of a redesign case at IBM Credit Corporation, taken from the book “Reengineering the corporation” by Hammer and Champy [29]. It is split up into several parts. Please read these and answer the questions.

Our first case concerns IBM Credit Corporation, a wholly owned subsidiary of IBM, which, if it were independent, would rank among the Fortune 100 service companies. IBM Credit is in the business of financing the computers, software, and services that the IBM Corporation sells. It is a business of which IBM is fond, since financing customers’ purchases is an extremely profitable business. In its early years, IBM Credit’s operation was positively Dickensian. When IBM field salespersons called in with a request for financing, they reached one of 14 people sitting around a conference room table in Old Greenwich, Connecticut. The person taking the call logged the request for a deal on a piece of paper. That

was step one. In step two, someone carted that piece of paper upstairs to the credit department, where a specialist entered the information into a computer system and checked the potential borrower's creditworthiness. The specialist wrote the results of the credit check on the piece of paper and dispatched it to the next link in the chain, which was the business practices department. The business practices department, step three, was in charge of modifying the standard loan covenant in response to customer request. Business practices had its own computer system. When done, a person in that department would attach the special terms to the request form. Next, the request went to a pricer, step four, who keyed the data into a personal computer spreadsheet to determine the appropriate interest rate to charge the customer. The pricer wrote the rate on a piece of paper, which, with the other papers, was delivered to a clerical group, step five. There, an administrator turned all this information into a quote letter that could be delivered to the field sales representative by Federal Express.

(a) Model the described business process. Use pools and lanes where needed.

The entire process consumed six days on average, although it sometimes took as long as two weeks. From the sales reps' point of view, this turnaround was too long, since it gave the customer six days to find another source of financing, to be seduced by another computer vendor, or simply to call the whole deal off. So the rep would call time and again to ask, "Where is my deal, and when are you going to get it out?" Naturally, no one had a clue, since the request was lost somewhere in the chain.

(b) Which dimension of the Devil's Quadrangle would be dominant for a re-design? Give an exact definition of the performance criterion.

In their efforts to improve this process, IBM Credit tried several fixes. They decided, for instance, to install a control desk, so they could answer the rep's questions about the status of the deal. That is, instead of each department forwarding the credit request to the next step in the chain, it would return it to the control desk where the calls were originally taken. There, an administrator logged the completion of each step before sending the paper out again. This fix did indeed solve one problem: The control desk knew the location of each request in the labyrinth and could give the rep the information they wanted. Unfortunately, this information was purchased at the cost of adding more time to the turnaround.

(c) Model the adapted process. Use pools/lanes where needed. (d) Can you explain in terms of the performance dimensions of the Devil's Quadrangle what has happened?

Eventually, two senior managers at IBM Credit had a brainstorm. They took a financing request and walked it themselves through all five steps, asking personnel in each office to put aside whatever they were doing and to process this request as they normally would, only without the delay of having it sit in a pile on someone's desk. They learned from their experiments that performing the actual work took in total only 90 minutes—one and a half hours. The remainder—now more than seven days on average—was consumed by handing the form off from one department to the next. Management had begun to look at the heart of the issue, which was the overall credit issuance process. Indeed, if by the wave of some magic wand the company were able to double the personal productivity of each individual in the organization, total turnaround time would have been reduced by only 45 minutes. The problem did not lie in the activities and the people performing them, but in the structure of the process itself. In other words, it was the process that had to change, not the individual steps.

In the end, IBM Credit replaced its specialists—the credit checkers, pricers, and so on—with generalists. Now, instead of sending an application from office to office, one person called a deal structurer processes the entire application from beginning to end: No handoffs.

How could one generalist replace four specialists? The old process design was, in fact, founded on a deeply held (but deeply hidden) assumption: that every bid request was unique and difficult to process, thereby requiring the intervention of four highly trained specialists. In fact, this assumption was false; most requests were simple and straightforward. The old process had been over-designed to handle the most difficult applications that management could imagine. When IBM Credit's senior managers closely examined the work the specialists did, they found that most of it was little more than clerical: finding a credit rating in a database, plugging numbers into a standard model, pulling boilerplate clauses from a file. These activities fall well within the capability of a single individual when this is supported by an easy-to-use computer system that provides access to all the data and tools the specialists would use.

IBM Credit also developed a new, sophisticated computer system to support the deal structurer. In most situations, the system provides the deal structurer with the guidance needed to proceed. In really tough situations, the deal structurer can get help from a small pool of real specialists-experts in credit checking, pricing, and so forth. Even here handoffs have disappeared because the deal structurer and the specialists he or she calls in work together as a team.

The performance improvement achieved by the redesign is extraordinary. IBM Credit slashed its seven-day turnaround to four hours. It did so without an increase in head count—in fact, it has achieved a small head-count reduction. At the same time, the number of deals that it handles has increased a hundredfold. Not 100 percent, but 100 times.

(e) Consider the list of heuristics dealt with in this paper. Which of these can you recognize in the new process redesign?

Exercise 8.14 Indicate in what respect the application of the *Outsourcing* heuristic and the composition of larger activities—as a specific case of the *Activity composition* heuristic—can lead to similar or different results. Use the performance dimensions of the Devil's Quadrangle and provide specific interpretations.

Exercise 8.15 Consider the equipment rental process described in Example 1.1 (p. 2) and the corresponding issues documented in Example 6.4 (p. 199).

- a Apply the redesign heuristics in order to address the issues documented in Example 6.4.
- b Capture the resulting to-be model in BPMN.
- c Explain the impact of the changes you propose in terms of the performance dimensions of the Devil's Quadrangle.

Exercise 8.16 Consider the university admission process described in Exercise 1.1 (p. 4) and the corresponding issues documented in Exercise 6.4 (p. 201).

- a Apply the redesign heuristics in order to address the issues documented in Exercise 6.4.
- b Capture the resulting to-be model in BPMN.
- c Explain the impact of the changes you propose in terms of the performance dimensions of the Devil's Quadrangle.

Exercise 8.17 Consider the pharmacy prescription fulfillment process described in Exercise 1.6 (p. 28) and the corresponding issues documented in Exercise 6.9 (p. 209).

- a Apply the redesign heuristics in order to address the issues documented in Example 6.9.
- b Capture the resulting to-be model in BPMN.
- c Explain the impact of the changes you propose in terms of the performance dimensions of the Devil's Quadrangle.

Exercise 8.18 Consider the procure-to-pay process described in Exercise 1.7 (p. 29) and the corresponding issues documented in Exercise 6.10 (p. 210).

- a Apply the redesign heuristics in order to address the issues documented in Example 6.10.
- b Capture the resulting to-be model in BPMN.
- c Explain the impact of the changes you propose in terms of the performance dimensions of the Devil's Quadrangle.

8.8 Further Reading

Michael Hammer has written many, highly worthwhile books with his co-authors on process redesign, for example [27, 29]. Other management books that deal with the topic are, for example, [10, 46, 86]. In contrast to the topic of process modeling, process redesign has not received so much attention from the scientific community. When BPR is studied, the focus is mostly on case studies or the diffusion of the concept in practice itself is studied, for example in which domains it is applied or in which countries it is most popular. One of the most interesting studies in this category is quite dated [62], but it clearly shows the problems of what was initially considered business process redesign and how it quickly evolved into a more incremental approach. A very interesting study into the characteristics of different redesign methodologies is provided in [41], which has inspired various concepts that were dealt with in this part of the book.

The redesign heuristics that were discussed in this chapter have been described in quite some detail. After their initial presentation as best practices in [72], they have been validated and further analyzed in follow-up studies [47, 48]. Current efforts by various researchers are aimed at supporting practitioners in making sensible selections of redesign heuristics in specific cases [30, 44]. Also, attempts have been made to extend the set of redesign heuristics to their application in other domains, for example in [58].

Product-based Design was developed at Eindhoven University of Technology in cooperation with a Dutch consultancy company. Various case studies are available, which give a better idea of the practical application of this method and its potential benefits [70, 71]. Recently, the emphasis of researchers working on this topic is moving towards the automatic generation of process designs and the automated support of the execution of such processes [100]. Another way of looking at Product-based Design is that it is an approach that blends data and process. This is currently a hot topic: In this sense, IBM's artifact-centric process modeling approach [36]

and the data-driven process structures developed by the University of Ulm [57] are comparable approaches.

One of the main open questions in the area of process redesign is to what extent it makes sense to follow industrial reference models or to try and develop company-specific designs. While industrial reference models are offered by many vendors, it is not so obvious that they represent the best possible way to carry out processes.

Chapter 9

Process Automation

Besides black art, there is only automation and mechanization.
Federico García Lorca (1898–1936)

This chapter deals with process automation. First, we will briefly explain what an automated business process is, after which we will focus on a specific kind of technology that is particularly suitable to achieve process automation, i.e. Business Process Management Systems (BPMSs). We will explain the features and advantages of these systems, present the different types of BPMS, and discuss some of the challenges that are involved with introducing a BPMS in an organization. Finally, we will discuss what changes are required to a *business-oriented* process model like the ones seen so far, to make it *executable* and run in a BPMS.

9.1 Automating Business Processes

Process automation is a subject that may be approached from different angles. In a broad sense, it may refer to the intent to automate *any* conceivable part of procedural work that is contained within a business process, from *simple* operations that are part of a *single* process activity up to the automated coordination of *entire*, complex processes.

Take, for example, the order fulfillment process that we modeled in Chap. 3. Automating such a process may imply that every time the seller receives a purchase order, this is automatically dispatched to the ERP systems of the warehouse and distribution department, where the availability of the product is checked against the warehouse database. If the product is not in stock, the relevant suppliers are automatically contacted, e.g. via a Web service interface, to manufacture the product. Otherwise, instructions are sent to a warehouse worker, e.g. using an electronic form, to manually retrieve the product from the warehouse. Subsequently, an order clerk from sales receives a notification that a new order needs to be confirmed, e.g. via email. That clerk would then log into the purchase order tracking system within sales, see the order electronically, and confirm it by pressing a button, and so on.

In this example the dispatching of the purchase order, the automated check of the product's availability, or the automated web messages are all manifestations of process automation in its broadest sense: they automate a particular aspect of a process. In this context, we will refer to an *automated business process*, also known as *workflow*, as a process that is automated in whole or in part by a software system, which passes information from one participant to another for action, according to the temporal and logical dependencies set in the underlying process model. Let us now consider systems that work with automated business processes.

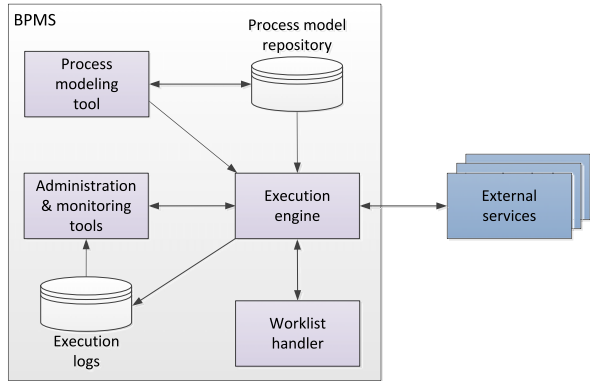
9.1.1 Business Process Management Systems

A specific kind of process automation, which we are particularly concerned with in this book, exploits knowledge about how different process activities *relate* to one another. In other words, the type of information systems that we consider are *process-aware*. The main category of process-aware information systems that we will discuss are the so-called *Business Process Management Systems* (BPMSs). While there are other types of process-aware system, such as Customer Relationship Management (CRM) systems and Enterprise Resource Planning (ERP) systems, the special feature of BPMSs is that they exploit an explicit description of a business process, in the form of a *process model*, to coordinate that process. In that sense, a BPMS can be tailored to specific processes of any kind.

The purpose of a BPMS is to coordinate an automated business process in such a way that all work is done at the right time by the right resource. To explain how a BPMS accomplishes that, it is useful to see that a BPMS is in some way similar to a *Database Management System* (DBMS). A DBMS is a standard, *off-the-shelf* software package offered by many vendors in many different flavors, such as Microsoft SQL Server, IBM DB2 or Oracle Database. With a DBMS it is possible to capture company-specific data in a structured way, without ever having to consider how the exact retrieval and storage of the involved data takes place. These tasks are taken care of by standard facilities of the system. Of course, at some point it is necessary to configure the DBMS, fill it with data, and it may also be necessary to periodically adapt the system and its content to actual demands.

In a similar manner, a BPMS is also a standard type of software system. Vendors offer different BPMSs with a varying set of features, spanning the whole process lifecycle: from simple systems only catering for the design and automation of business processes, to more complex systems also involving process intelligence functionality (e.g. advanced monitoring and process mining), complex event processing, SOA functionality, and integration with third-party applications and social networks. Despite the variety of functionality a BPMS can offer, the core feature of such a software system resides in the automation of business processes. With a BPMS it becomes feasible to support the execution of a specific business process using the standard facilities offered by the system. However, it is essential that a business process is captured in such a way that the BPMS can deal with it, i.e. that

Fig. 9.1 The architecture of a BPMS



the BPMS can support its execution. From the moment a process is captured in a format that the BPMS can work with, it is important to keep that description of the business process up-to-date so that the process is supported properly over time.

In the past, mainly before the emergence of BPMSs, there existed a large number of tools focused on process automation, which did not encompass process intelligence functionality and which had relatively minimal support for process modeling. These tools were known under the name of *Workflow Management Systems* (WfMSs). Over time, many of these tools evolved towards BPMSs. Additionally, a plethora of stand-alone tools exist that cover a single feature of advanced BPMSs, such as stand-alone process modeling tools, process simulation tools and process analytics tools. All these tools provide value in supporting various parts of the BPM lifecycle, but do not generally support process automation. For this reason, they will not be the focus of this chapter.

9.1.2 Architecture of a BPMS

Figure 9.1 shows the main components of a BPMS, namely the execution engine, the process modeling tool, the worklist handler, and the administration and monitoring tools. The execution engine may interact with external services.

Execution Engine Central to the BPMS is the *execution engine*. The engine provides different functionalities including: (i) the ability to create executable process instances (also called cases); (ii) the ability to distribute work to process participants in order to execute a business process from start to end; (iii) the ability to automatically retrieve and store data required for the execution of the process and to delegate (automated) activities to software applications across the organization. Altogether, the engine is continuously monitoring the progress of different cases and coordinating which activities to work on next by generating *work items*, i.e. instances of process activities that need to be taken care of for

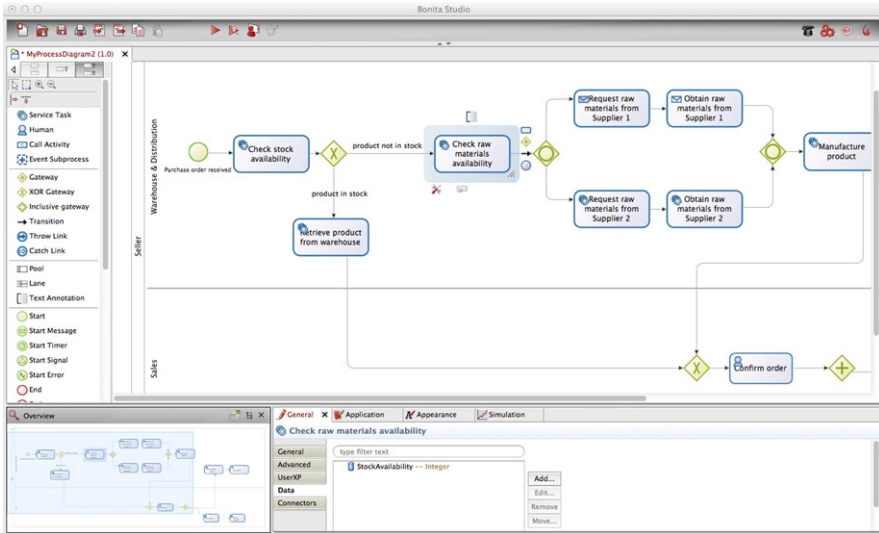


Fig. 9.2 The process modeling tool of Bonita Open Solution from Bonita Soft

specific cases. Work items are then allocated to resources which are both qualified and authorized to carry out these. More specifically, the execution engine interacts with the other components, as discussed next.

Process modeling tool The process modeling tool component offers functionality such as (i) the ability for users to create and modify process models; (ii) the ability to annotate process models with additional data, such as data input and output, participants, business rules associated with activities, or performance measures associated with a process or an activity; and (iii) the ability to store, share and retrieve process models from a *process model repository*. A process model can be *deployed* to the engine in order to be executed. This can either be done directly from the modeling tool or from the repository. The engine uses the process model to determine the temporal and logical order in which the activities of a process have to be executed. On that basis, it determines which work items should be generated and to whom they should be allocated or which external services should be called. Figure 9.2 shows the process modeling tool of Bonita Open Solution from Bonita Soft.

Worklist handler A worklist handler is the component of a BPMS through which process participants are (i) offered work items and (ii) commit to these. It is the execution engine that keeps track of which work items are due and makes them available through the worklist handlers of individual process participants. The standard worklist handler of a BPMS can best be imagined as an *inbox*, similar to that of an email client. Through an inbox, participants can see what work items are ready for them to be executed. The worklist handler might use electronic forms for an activity’s input and output data. When a work item of this activity is selected and started by the participant from their worklist, the corre-

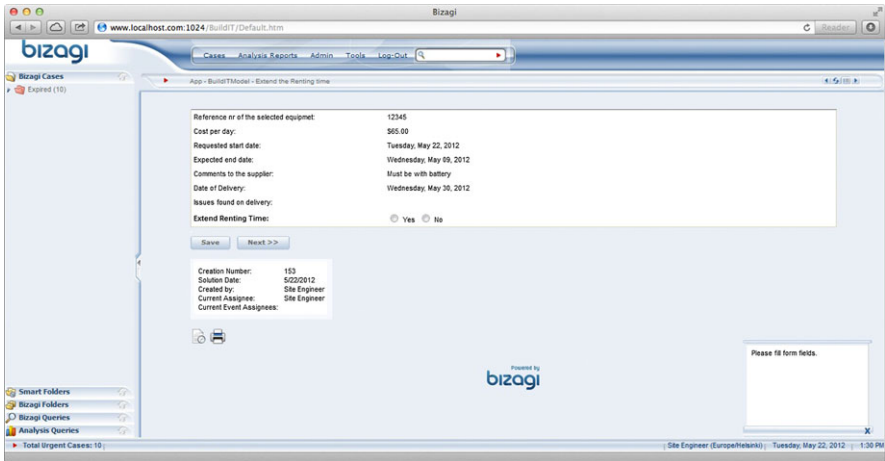


Fig. 9.3 The worklist handler of Bizagi’s BPM Suite

sponding electronic form is rendered on screen. This step is called *check-out*. Participants can then enter data into the form, and signal completion to the engine. This step is called *check-in*. Afterwards, the engine determines the next work items that must be performed for the case in question. Often, participants can to some extent exert control over the work items in their worklist, e.g. with respect to the order in which they are displayed and the priority they assign to these work items. Also, a worklist handler will typically support a process participant in temporarily suspending work items or passing on control to someone else. Which exact features are available depends on the BPMS in question and its specific configuration. It is fairly common to customize worklist handlers, for example according to corporate design, to foster its efficient usage and acceptance within an organization. Figure 9.3 shows the worklist handler of Bizagi’s BPM Suite.

External services It may be useful to involve external applications in the execution of a business process. In many business processes, there are activities which are not to be executed in a completely manual fashion. Some of these activities can be performed fully automatically, such that the execution engine can simply call an external application, for example to assess the creditworthiness of a client. The external application has to expose a service interface with which the engine can interact. Thus, we simply refer to such applications as *external services*. The execution engine provides the invoked service with the necessary data it will need for performing the activity for a specific case. On completion of the request, the service will return the outcome to the engine and signal that the work item is completed. This, again, is stored in the execution log. Some other activities in a business process are neither completely manual nor completely automated. Instead, such activities are to be performed by process participants with some form of automated support. For this category of activities, the execution engine will invoke the appropriate services with the right parameters, exactly at the moment

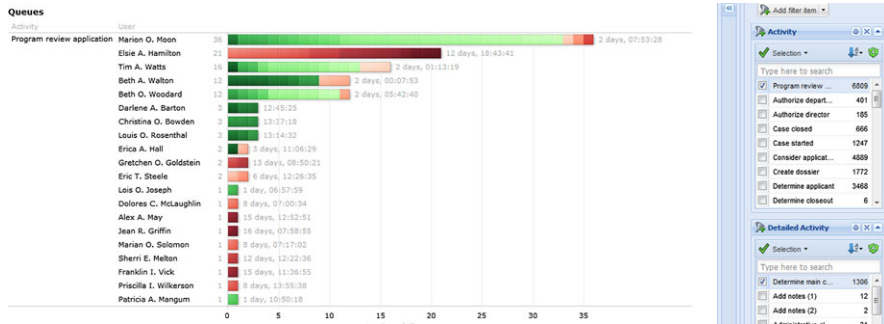


Fig. 9.4 The monitoring tool of Perceptive Software’s BPMOne

that the employee selects a particular work item to work on. A typical example would be the invocation of a Document Management System (DMS) to display to the process participant a file that is important to carry out a specific work item. Think of the equipment rental request, where this would help a clerk to determine the appropriate piece of equipment to order. Sometimes too, a BPMS may need to transfer control over cases between different organizational units or organizations. One way of achieving this is by interacting with an external BPMS which exposes a service interface for this purpose. For example, consider a global insurance company that has offices in three different time zones: Japan, the UK and California. At the end of the working day in each of these time zones, all work items can be transferred to the execution engine in the next zone where the work day has just started. In this way, the execution of the business process never stops.

Administration and monitoring tools Administration and monitoring tools are the tools necessary for the administration of all operational matters of a BPMS. Consider, as a prime example, the actual availability of specific participants. If someone is unavailable to work because of illness or a vacation, the BPMS has to be made aware of this fact in order to avoid allocating work items to such a person. Administration tools are also required to deal with exceptional situations, for example to remove outdated work items from the system. Administration tools are also equipped with process monitoring functionality. One can use these tools to monitor the performance of the running business processes, in particular with respect to the progress of individual cases. These tools can aggregate data from different cases, such as average cycle times of cases, or the fraction of cases that are delivered too late. The BPMS records the execution of a process model step by step. The execution-related events recorded in this way are stored and can be exported in the form of *execution logs*. Some monitoring tools can analyze historical data extracted from the logs and compare it with live data (cf. Chap. 10). Figure 9.4 shows the monitoring tool of Perceptive Software’s BPMOne.

This generic architecture, which underpins the functioning of any BPMS, is the evolution of a reference model for WfMSs which was proposed by the Workflow

Management Coalition (WfMC) in the nineties. A dedicated box “WfMC Reference Model” expands on this model.

To illustrate how a BPMS works, recall BuildIT’s business process for renting equipment from Chap. 1. Let us suppose it is supported by a BPMS. The execution engine can track that for orders # 1,220 and #1,230 *site engineers* have already filled out the equipment rental requests. On the basis of a process model of the renting equipment process, the execution engine can detect that for both of these cases the proper piece of equipment must be determined. This needs to be done by any of the clerks at the depot. Therefore, the BPMS passes on the request to all worklist handlers of all clerks for further processing. For order #1,240 on the other hand, the equipment rental request is not available yet. So, the BPMS engine will not pass on a similar request for this order yet. Instead, it will await the completion of this work item.

Exercise 9.1 In which state is the process after all the actions of the rental process of BuildIT have been performed as described above? Which work items can you identify that are under control of the BPMS? Make sure to identify both the case and the activity for each work item.

WfMC REFERENCE MODEL

The Workflow Management Coalition (WfMC) is a standardization organization, founded in 1993, in which BPMS vendors, users and researchers have a seat. The purpose of the WfMC is to achieve generally accepted standards for terminology and interfaces for the components of a BPMS [35].

The WfMC has produced the so-called *WfMC reference model* which has become well-established in the world of process automation. The idea behind this reference model is that any supplier of a BPMS can explain the functioning of its specific system on the basis of it. The original reference model included six components, which resemble the components of the BPMS architecture in Fig. 9.1. They are: workflow engine, process modeling tools, administration and monitoring tools, worklist handler, external applications and external BPMSs. In the reference model, the interactions between its components take place through so-called *interfaces*, which are numbered from 1 to 5. Three of these interfaces are still recognizable in the BPMS architecture that is discussed in this chapter:

- *Interface 1* concerns the interaction between the engine and process modeling tools,
- *Interface 2* concerns the interaction between the engine and the worklist handler,
- *Interface 5* concerns the interaction between the engine and the administration and monitoring tools.

The other interfaces of the WfMC reference model are subsumed by recent developments. *Interface 3* governed the interaction between IT applications and the execution engine, but this has become outdated by the advent of standard service interfaces over the Web (e.g. Web services). Similarly, *interface 4*—which addressed the integration with external BPMSs—has also been subsumed since this can also be realized through standard service interfaces.

While most components of the WfMC reference model reappear in the BPMS architecture of Fig. 9.1, it should be noted that the WfMC architecture does not include the process model repository and does not explicitly represent execution logs. These elements, however, have become crucial assets in the area of process automation, analysis and redesign.

Exercise 9.2 Consider the following questions about a BPMS:

- Why would it not be sufficient to only create a business process model with the modeling tools, without any information on the types of resource that are available?
- In what situation will the execution engine generate multiple work items on the basis of the completion of a single work item?
- Can you provide examples of external services that may be useful to be invoked when a participant wishes to carry out a work item?
- What would be a minimal requirement to be able to pass on work items between the BPMSs of the insurance company that was provided as an example?
- If it is important that a BPMS hands out work items to available resources, can you imagine other, relevant types of information on resources that are useful to be captured by an administration tool (apart from whether they are ill or on vacation)?

9.1.3 The Case of ACNS

Building on the explanation of the BPMS architecture in the previous section it is now possible to sketch an example of an operational BPMS. We use a simplified view on a process in which claims are assessed within the ACNS company (*A Claim is No Shame*). The first activity in this process is an assessment of the claim, which is to be done by a senior acceptor or a regular acceptor. A regular acceptor is only qualified to make this assessment in the situation where the claim amount of a case is below €1,000. In case of a negative assessment, it is the responsibility of the account manager to convey the bad news to the customer. In case of a positive assessment, an electronic invoice is to be generated by a clerk of the finance department, who needs to dispatch that to the client in question. After these activities, the process is completed.

The above description shows that there are two dimensions that must be covered with the process modeling tool of the BPMS: (1) the procedure that specifies the various activities and (2) the various participants who are involved in carrying out these activities. The former part is recorded in a process model; the second is captured in, what is often referred to as, a *resource classification*. In addition, the relations between these models or specifications must be defined, i.e. who is able and qualified to perform which activity. Often, these relations are also specified as part of the process model. These relationships may not be static but be dependent on all kinds of business rule. For example, the distinction between the authorization levels of the senior and ordinary acceptor in assessing claims is an example of a dynamic rule, i.e. it is determined by the current value one of a piece of information.

Once these descriptions are defined, the execution engine of a BPMS would generally be able to support this process. Now let us assume that almost simultaneously two claims come in:

1. A car damage of €12,500, as claimed by Mr. Bouman.
2. A car damage of €500, as claimed by Mrs. Fillers.

Ms. Withagen has been with ACNS for a long time and, for the past years, functions on the level of a senior acceptor. This month, Mr. Trienekens has started his training and works as an acceptor. At the start of his contract, the system administrator, Mr. Verbeek, has used the administration tool of the BPMS to add Mr. Trienekens to the pool of available acceptors.

Based on the process model, the resource classification, and operational data on the availability of the various employees, the enactment service of the BPMS now takes care of forwarding both newly received claims to the worklist handlers of Ms. Withagen. After all, she may assess both claims based on her qualifications. Mr. Trienekens, in his turn, will only see in his worklist handler the damage claim of Mrs. Fillers.

On noting the work item in his worklist, Mr. Trienekens starts to work on it immediately. He selects the damage claim of Ms. Fillers to deal with. In response to that action, the execution engine ensures that the corresponding work item *disappears* from the worklist of Ms. Withagen. The reason, of course, is that this piece of work needs to be carried out only once. In any case, Ms. Withagen is still working on the handling of an earlier case, but shortly thereafter selects the claim of Mr. Bouman to deal with through her worklist handler.

In response to the selection of work items by both Mr. Trienekens and Mrs. Withagen, the execution engine will ensure that both will see the electronic claim file on their screen of the respective customers. The execution engine does so by using the appropriate parameters in invoking the DMS of ACNS at the workstations of the acceptors. The DMS also displays the scanned version of the claims, which were originally sent in on paper. In addition, the BPMS takes care of displaying to both the acceptors an electronic form that they can use to record their assessment, also through the invocation of a service.

Mr. Trienekens decides to reject the claim. The worklist handler notices this, because it monitors the specific field on the electronic form that receives a negative

value. Based on the logic captured in the process model, the execution engine can determine that the case must be handed over to the account manager of Ms. Fillers and sends a work item to that participant, requesting to inform the client on the negative assessment.

Ms. Withagen arrives at a positive assessment of the claim under her watch and decides to approve it. The execution engine ensures that a service is invoked to determine the new monthly premium for Mr. Bouman, taking into account his no-claim history which is registered in a claim database. The retrieval of the information from this database is also realized through a service. Once this calculation is completed, a work item for the various available financial employees is created to pay the damage. The work item appears in the worklist of each of these financial officers, until one of them selects it for processing. After the payment has been carried out, the process is completed.

As can be seen in the ANCS example, all components of the BPMS architecture play a role in coordinating the work, specifically to ensure that the appropriate work items are created and carried out by the involved participants.

Exercise 9.3 Consider the following developments and indicate which components of the BPMS architecture are affected when they are to be taken into account:

1. A new decision support system is developed to support acceptors in making their assessment of claims.
2. Ms. Withagen retires.
3. A new distinction between claims becomes relevant: regular acceptors are now also qualified to deal with claims above €1,000 as long as they worked on previous claims by the same client.
4. Claims that are issued on cars which are over 10 years old need to be continuously monitored by management.

Up to this point, we have discussed BPMSs as if they are particular software packages that deliver more or less the same functionality. However, it is closer to the truth to state that there are distinct flavors of BPMSs and that different organizations or different processes within the same organization may be best served by different types of BPMS. This observation is further discussed in the box “Types of BPMS”.

TYPES OF BPMS

There are several ways to distinguish between the available BPMSs. One classification is based on the use of two axes: one that captures the *degree of support* that the BPMS delivers and the other that expresses how that systems differ from each other with respect to their *orientation on process or data*. We describe and illustrate four different types of system: groupware systems, ad-hoc workflow systems, production workflow systems, and case handling systems. These systems can be positioned in the spectrum of BPMSs as shown in Fig. 9.5.

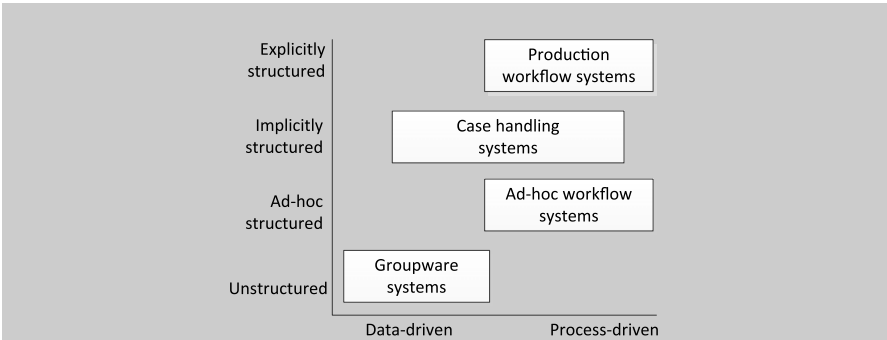


Fig. 9.5 The spectrum of BPMS types

Groupware systems: The two underlying principles of groupware systems are that the user is enabled to easily share documents and information on the one hand and to directly communicate with other users on the other. The best known example of a groupware system is IBM’s Lotus Notes. Groupware systems are very widely used and particularly popular for their high operational flexibility. When it comes to supporting business processes, these systems cannot do such in a strict sense. Groupware systems traditionally do not support an explicit notion of the business processes; however, extensions like Lotus Domino Workflow exist as well.

Ad-hoc workflow systems: Ad-hoc BPMSs, like TIBCO’s BusinessWorks or Comalatech’s Ad-hoc Workflows, allow on-the-fly process definitions that can be created and modified. So, even though there is already a process definition in existence to deal with a case type, it is possible during the execution of that process to adapt the process, for example to include an additional step. For these kinds of system, it is often so that each case (an order, claim, complaint, etc.) has its own private process definition. This prevents many problems that are acclimated with updating a general process definition when it has running instances. Clearly, ad-hoc BPMSs allow much flexibility. The BPMS InConcert, for example, even allows users to trigger a business process instance on the basis of a completely empty process definition, which is extended as it becomes clearer what needs to happen and in what order. Another direction is that initially the BPMS works on the basis of a standard solution or template, which can be modified at will. Interestingly, such a modified procedure may be used as the template for starting the processing of a new case. In general, there are two major requirements to successfully apply ad-hoc BPMSs in an organization. The first requirement is that end users are very aware of the processes in which they operate. This means that only processes should be defined or modified by people with a very good overview of the process and the

consequences of deviating from usual practice. The second requirement is that users have sophisticated tools at their disposal to model business processes and that they are capable of modeling. The combination of these requirements hinders the wide-scale application of ad-hoc BPMSs at this point.

Production workflow systems: The most familiar type of BPMS is the production workflow system. Typical representatives are IBM's Business Process Manager and Bizagi's BPM Suite. Much of what we described in the previous sections on workflow applies to this class of BPMSs. Work is routed strictly on the basis of explicitly defined process descriptions captured in process models. Managing data, such as documents or e-mail support, is generally not offered by these systems. In general, it is also impossible or hard to deviate from a process logic if that has not been explicitly captured in the process model. Sometimes a further distinction is made within production workflow into *administrative* and *transaction processing* BPMSs. This makes it possible to distinguish further shades with respect to the degree of automation of the work that is coordinated. Administrative BPMSs, are used in settings where a (large) portion of work is still performed by people; transaction processing BPMSs support business processes that are (almost) fully automated.

Case handling systems: The idea behind a case handling system (or Adaptive Case Management system) is that it does not strive for a tight and complete specification of a business process in a model. Rather, *implicit* process models are used, which capture a conventional flow from which—unless this is explicitly prohibited—a user can deviate. A case handling system is usually fully aware of the precise details of the data belonging to a case (including customer data, financial or medical data). On the basis of such awareness, the system is able to provide end users a highly precise insight into the status of a case, as well as the most obvious steps to continue the process. Contemporary examples are i-Sight's Case Management Software and BPMOne by Perceptive Software. The latter also, if desired, supports a production workflow approach and in that sense is a hybrid BPMS.

There are other types of system that share characteristics and functionality with BPMSs. *Document management systems* (DMSs) primarily take care of the storage and retrieval of documents, like document scans and PDFs, but they often offer workflow automation features as well. An example is Adobe's LiveCycle Enterprise Suite. *Process Orchestration Servers* focus on process automation but have a specific emphasis on automated processes that require the integration of multiple enterprise applications. An example is Oracle's SOA Suite.

9.2 Advantages of Introducing a BPMS

In this section we reflect on why it would be attractive for organizations to use a BPMS. There are four broad categories of advantages which we will discuss here: workload reduction, flexible system integration, execution transparency, and rule enforcement.

9.2.1 Workload Reduction

A BPMS automates part of the work that is done by people in settings where such a system is not in place. First of all, it will take care of *transporting work* itself. In a paper-based organization, work is usually transported by internal postal services, often delaying processing for one work day at each handover, or by the participants themselves at the expense of their working time. All such delays are completely eradicated when a BPMS can be used to dispatch work items electronically. In some situations, the BPMS can take care of the entire process by invoking fully automated applications. In such cases, we speak of *Straight-Through-Processing (STP)*. Particularly in the financial services, many business processes that used to involve human operations are now in STP mode and coordinated by BPMSs. Also in other domains, think for instance of electronic visa, at least a portion of the cases can be handled in a completely automatic fashion.

The second type of work that is being taken over by the BPMS concerns *coordination*. The BPMS uses the process model for determining which activities need to be performed and in what order. So, every time the BPMS uses this knowledge to route a work item it potentially saves someone the time to even think about what should be done next. Another form of coordination time saved is the signaling of completed work. In a paper-based organization, work will be lying around for quite some time in case of work hand-overs. What often happens is that someone takes over work, suspends it for some reason, after which the work package gets stuck in another pile of work. The BPMS will at all times be able to signal the status of all work items and it can take actions to ensure that progress is being made.

The final type of workload reduction by using a BPMS is the *gathering of all relevant information* to carry out a particular task. In a situation without a BPMS, it is the employee who needs to do this collection. Finding the right file in particular—it is never there where you would expect it—can be a time-consuming affair. Note that this type of advantage rests on the assumption that along with the introduction of the BPMS the effort is taken to digitalize the stream of documents in an organization. The implementation of a DMS is actually what is often observed alongside a BPMS implementation. Certain vendors, such as IBM and Perceptive Software, offer integrated suites of BPMS and DMS functionality. Other BPMS vendors often have strategic cooperations with companies that offer a DMS, such that it is relatively easy to integrate their joint systems.

9.2.2 Flexible System Integration

Originally, the most mentioned argument to start with a BPMS is the increased flexibility that organizations achieve with this technology. To explain this best, a short reflection on the history of computer applications is due. There is an interesting trend, as identified by Van der Aalst and Van Hee [95] that generic functionality is split off from applications at some point.

Roughly throughout the 1965–1975 period, computer applications were run directly on the operating systems (OS) of a computer. Each application would take care of its own data management and would be using proprietary techniques to do this efficiently. As a result, it turned out to be difficult to share data among applications and to maintain consistency. Clearly, programmers of different applications would be involved with developing similar routines to solve similar problems. From 1975 onwards, DBMSs as a new type of standard software emerged that took on the generic task of managing data efficiently. As a result, data could be shared rather easily and programmers of new applications would not need to worry anymore about ways to store, query, or retrieve data. Some 10 years later, around 1985, User Interface Management Systems (UIMS) were introduced to provide a very generic interface component to many applications. Through the provision of facilities like drop-down boxes or radio buttons in accessible libraries, each computer programmer would be able to make use of these. By 1995, the first commercial BPMSs enter the market place (considerable time before, research prototypes have been available). Like DBMSs and UIMSs in their focus area, BPMSs would provide generic support for the area of business process logic.

The introduction of a BPMS is a logical sequel to the separation of generic functionality of what were one monolithic computer programs. Still in the 1990s, it was estimated that 40 % of all the lines of code running on the mainframe computers of banks would have to do with business process logic, not with the calculations or data processing themselves. The typical kind of information processing in the context relates to the identification of activities, their order of execution, and or the participants responsible for carrying them out. For example, it would be specified that after a mortgage offering was completed, this needed to be signaled to the manager of the department, triggering a signal on her monitor.

The obvious advantage related to this development is that it has become much easier with a BPMS to manage business process logic on its own. This is due to the fact that it is much more convenient to update the description of a business process without having to inspect the application code. Also, the reverse would become easier, i.e. modifying an application while not touching on the order of how things on the business process level would need to unfold. BPMSs, in short, would enable organizations to become more flexible in managing and updating their business processes as well as their applications.

BPMSs also provide the means to glue together separate systems. Large service organizations typically deploy myriads of IT systems, which all exist more or less independent of each other. Often, such a situation is referred to as *island automation*. A BPMS may be introduced in such a situation as a means of integrating such

systems. It will safeguard that all the separate systems will play their due role in the business process they support.

A word of caution is due here. The BPMS itself will offer no direct solution to the problem that there is often a redundant storage of information across many different IT systems. In fact, a BPMS will in general have no knowledge of the actual data that end users will manipulate using the various IT systems. If the BPMS is to operate as an integrator between all the existing systems, this will require a thorough information analysis to map which data is used and available.

9.2.3 Execution Transparency

An advantage that is often overlooked is that a BPMS can operate as a treasure trove with respect to the way that business processes are really executed. It is likely that the developers of the first BPMSs did not clearly have any advantage in mind on providing any insights about the execution of a process to anyone else than people executing the process itself. Sure enough, to have a BPMS operate at all, it must keep an accurate administration on which work items are due, which can only be determined by actively monitoring and recording which work items have been completed by which resources and at what time new cases enter the process. Yet, for a BPMS to function properly, it is not necessary to keep all that data available once the associated cases are completed. The management overseeing such a process, however, may have an entirely different perspective on this issue. There are two types of information that may be useful to generate interesting insights on basis of the administration a BPMS keeps:

1. *Operational information*, which relates to recent, running cases, and
2. *Historic information*, which relates to completed cases

Operational information is relevant for the management of individual cases, participants, or specific parts of a business process. A characteristic example is the following. From analyses of various governmental agencies involved with granting permits in the Netherlands it has become clear that determining the exact status of a permit application was one of the most time-consuming activities for the civil servants involved. By the use of most commercially available BPMSs, retrieving that status is a futility. Such a status may be, for example, that the request of Mr. Benders to extend his house with an extra garden wing has been received, matched with the development plans for the area he is living in, and that further processing is now dependent on the receipt of the advice of an external expert. Another use of operational information would relate to the length of queue in terms of work items. For example, there are 29 applications for building permits that await the advice of an external expert. From these examples it may become clear that initiatives to improve customer service, in particular with respect to answering questions about their orders, often relies on the use of a BPMS.

Historic information, in contrast to operation information, is often of interest on a particular level of aggregation, for example covering more cases over an extended

period of time. This kind of information is of the utmost importance to determine the performance of a particular process or its conformance to particular rules. With respect to the former, you may want to think of average cycle times, the number of completed cases over a particular period, or the utilization of resources. The latter category could cover issues like the kind of exceptions that have been generated or the number of cases that violated a particular deadline.

It makes sense to consider the kind of insights that need to be retrieved from a BPMS before it is actually implemented in an organization. Technical issues play a role here, like the period of time that the logs of a BPMS need to be kept and, therefore, how much storage space should be devoted for that. Consider that it becomes a bit problematic if historic information is important on the aggregate level of years if there is only space to save the events of at most a months. There are also conceptual issues. If it is important to monitor a certain milestone within a process it is essential that it makes part of the process model that is used for the execution of the related business process. To use the previous example: If it is important to be able to recognize the stage in which a case has to wait for the advice of an external expert, then that milestone must be part of the process model. In this way, process automation provides the foundation for process intelligence (cf. Chap. 10).

9.2.4 Rule Enforcement

Except for the obvious advantage that a business process could be executed more efficiently by using a BPMS, such a system will also take care of that the process is carried out in precisely the way that it has been designed. When rules are explicitly enforced, this can be considered as a quality benefit: one does, what one promises. In many settings, employees will have considerable freedom to carry out a business process in the way it looks best to them (or most convenient). This individual assessment does not necessarily coincide with the best possible way a business process is executed from the overall perspective of an organization. In this respect, a BPMS can be a means to safeguard that business processes are executed in a predefined way, without any concessions.

As an illustration, consider the *separation of duties* control that is well known in the financial services domain. It means that the registration and inspection of a financial transaction will need to be carried out by different individuals. This type of logic is both quite easily implemented in BPMSs and enforced by such systems. The BPMS registers which individuals have carried out which work items and can take this information into account when allocating new work items. Note that a BPMS is, in general, sufficiently sophisticated so that employees can alternatively fulfill the registering and inspecting role for different cases.

The capacity of a BPMS to enforce rules is currently of much interest to organizations. Until a decade ago, primarily governmental organizations were implementing such systems purely motivated by this concern. After all, there are various laws that such organizations have to conform with. Nowadays, financial and other

professional service organizations have become similarly enamored by BPMSs. An important development in this is the rise of various governance frameworks, which started in 2002 with the *Sarbanes–Oxley Act* as a reaction to misconduct in Enron and Worldcom. The law places a high responsibility with company executives to install management controls and procedures within organizations and to see their proper execution. Obviously, this is where BPMSs can play an important role.

Exercise 9.4 To which categories would you classify the following incentives to introduce a BPMS in an organization?

- An auditing agency has found that the written procedures and actual execution of business processes are not aligned. The management of that organization wishes to enforce the written procedures and decides to introduce a BPMS.
- The clients of an organization complain that they can only get very shallow updates on the progress of the orders they make. The IT manager of that organization looks into the use of a BPMS to capture and provide status information of all these orders.
- An insurance organization finds out that there is a high need to quickly adjust the way claims processing is carried out to the offerings that its competitors bring to the market. Using a BPMS is considered to address this demand.

9.3 Challenges of Introducing a BPMS

Despite the many advantages of using BPMSs, there are some notable obstacles with respect to introducing these in an organization. We will distinguish between technical and organizational challenges here.

9.3.1 Technical Challenges

What should be one of the strengths of a BPMS is also one of the pitfalls. A BPMS is capable of integrating the use of different types of information system in their support of a business process. The challenge is that many applications have never been developed with this coordinated use in mind. The mainframe applications that can still be found within banks and insurance companies today are notorious in this regard. In the most favorable case, such systems are technically documented but it happens often that there is no one of the original development team available anymore who knows exactly how these are structured. In such cases, it is very hard to determine how a BPMS can trigger such systems to make them support the execution of a particular work item, to exchange information between the BPMS and such a system (e.g. case data), and how to determine when an employee has used such a system to complete a particular work item.

A technique that has been used to make interaction with such legacy systems at all possible is *screen scraping*. The interaction between a BPMS and the mainframe application then takes place on the level of the user interface: the key strokes that an end user should make are emulated by the BPMS and the signals sent to the display are tracked to establish the progress of carrying out an activity. It will come as no surprise that such low-level integration solutions will incur much rigidity to the overall solution and will, in fact, undermine the flexibility advantages that are normally associated with using a BPMS.

A specific problem that occurs with respect to the integration of existing applications with BPMSs is the lack of process-awareness of traditional systems. In a process-aware system, separate cases will be handled separately. In other words, such a system works on a case-by-case basis. In many traditional systems, *batch processing* is the dominant paradigm. This means that a particular task is executed for a potentially large set of cases, which does not always go well with the philosophy of a BPMS. Note how the Case-based work heuristic mentioned in Chap. 8 explicitly targets this situation.

Fortunately, in the area of system integration much progress has been made in the past decade. Many old systems are being phased out and new, open systems with clearly defined interfaces take their places. Technologies that are referred to as *Middleware* and *Enterprise Application Integration* tools are now available that strongly facilitate the communication and management of data in distributed applications. Microsoft's BizTalk and IBM's WebSphere are well-known software suites that can be used in this respect and there are open source technologies available as well. The success of *Web services* is another driver behind improved, coordinated use of different types of information system, including BPMSs. A Web service is a piece of functionality, for example the identification of the best possible price for a particular good within a range of providers of that good, which can be invoked over the Internet. Most BPMSs provide good support for integrating specific Web services in executable business processes. This kind of set-up would fit within a popular software architecture paradigm that is commonly referred to as *Service-Oriented Architecture*.

With respect to technical integration capabilities it is fair to say that recent developments are favorable for the use of BPMSs and that technical challenges, at least with respect to this aspect, are likely to further decrease over the next years.

9.3.2 Organizational Challenges

The introduction of an operational BPMS often has an impact on extensive parts of an organization. This implies that the introduction of a BPMS can be challenging from an organizational perspective. The interests of different stakeholders have to be balanced, who usually have diverging performance objectives and vie for the same resources. Getting an insight into how existing processes unfold is an enormous challenge in itself, sometimes taking months of work. Here, not only political

motives may play a role—not everyone will be happy to give away how work is done, especially if not much work is done at all—but psychological ones as well: people tend to focus on describing the worst possible exceptions when asked to describe what their role is in a process. One scholar has referred to this tendency as the reason “why modelers wreck workflow innovation”.

A factor that adds to this complexity is that organizations are dynamic entities. It is fairly usual that during the introduction of a BPMS, which may span a couple of months, organizational rules change, departments are scrapped or combined, participants get other responsibilities, new products are introduced or taken off the market. These are all examples of events that may be important to consider when the aim is to make a BPMS function properly in an organizational setting. In practice, this accounts for the insight that the gradual introduction of a BPMS is usually more successful than a “big bang” strategy, in which a BPMS from one day on the other is expected to replace the way operations were managed.

The perspective of the users on the introduction of a BPMS should be considered carefully. Most subject experts will first need to experience *hands-on* what it is to use a BPMS before they can really appreciate what that means for their job. There may also be concerns and fears. First, there might be a “Big brother is watching you” sentiment. Indeed, a BPMS will record all the events that are involved with executing a process, including who carried out what piece of work and at what time. It makes no use—and from a change management perspective, it could actually be self-defeating—to ignore this concern. Rather it is up to organizations to clarify how this information will be used and that there are positive effects that can be expected of the usage of this information as well. Another fear that is common with end users of BPMSs is that their work will take on a mechanistic trait, almost as if they are working on a chain gang. This fear is in part genuine. It is true that the BPMS will take care of the allocation and routing of work. What can be argued, though, is that these are not the most exciting or valuable parts of the work that needs to be done (which is precisely the reason that they could be automated in the first place). If you would consider the situation where an employee needs to spend large parts of their time on finding the right information to do the job properly, the BPMS can be a favorable mechanism to give that time back to the employee. Another line of reasoning is that it highly depends on the configuration of the BPMS whether the mechanization effect will actually occur. Compare, for example, the situation where a BPMS pushes a single work item at a time to an employee to be carried out or rather a range of work items that someone could choose according to one’s own preferences. These options, which result from a configuration decision, can make a huge difference in the perception of the value of the BPMS.

To sum up, the introduction of a BPMS is particularly complex, precisely because it supports entire business processes. It is not for nothing that out of many research projects into IT projects “strong management commitment” is always on top of the factors that explain successful implementations. The introduction of a BPMS is, perhaps even more so than for other types of technology, not for the faint of heart.

Exercise 9.5 Consider the following issues that come up when introducing a BPMS in a hospital to support preoperative care, i.e. the preparation and management of a patient prior to surgery. Classify these to the technical or organizational issues, or both.

1. On hearing about the plans to introduce a BPMS, the surgeons flatly reject to cooperate on this endeavor. Their claim is that each patient is an individual person that cannot be trusted to the care of a one-size-fits-all system.
2. The anesthetists in the hospital use a decision support system that monitors the proper dosage of anesthetics to patients. The system is developed as a stand-alone system that is difficult to synchronized with the BPMS, which has to feed the decision support system with patient data.
3. The nurses are provided with mobile devices, which they can use to access their worklist handlers. However, they find it difficult to follow up on the automatic notifications which are signaled to them as gentle vibrations of the device.

9.4 Turning Process Models Executable

In this section we will show how to automate a business-oriented process model in order to execute it on a BPMS. In particular, we will consider the case of production BPMSs.

Mapping processes for automation requires an approach to process modeling that is quite different from what is needed for communication or analytically focused process models. In fact, because of their intent, business-oriented process models are not necessarily precise and may thus contain ambiguities. Conversely, *executable process models* must be precise specifications in order to be interpreted by a BPMS.

We propose a five-step method to incrementally transform a business-oriented process model into an executable one, as follows:

1. Identify the automation boundaries
2. Review manual tasks
3. Complete the process model
4. Bring the process model to an adequate granularity level
5. Specify execution properties

Through these steps, the business-oriented model will become less abstract and more IT-oriented. These steps should be carried out on a process model that is both correct in terms of structure and behavior. For example, if the model contains behavioral errors like a deadlock, the BPMS may get stuck while executing an instance of this process model, with a potential impact on the operations of the organization. We have already discussed process model verification in Sect. 5.4. From now on we assume that the process model is correct.

9.4.1 Identify the Automation Boundaries

First, we need to identify what parts of our process can be coordinated by the BPMS, and what parts cannot. In a process there are *automated*, *manual* and *user* tasks. Automated tasks are performed by the BPMS itself or by an external service while manual tasks are performed by process participants without the aid of any software. A user task sits in-between an automated and a manual task. It is a task performed by a participant with the assistance of the worklist handler of the BPMS or of an external task list manager.

This difference between automated, manual and user tasks is relevant: automated and user tasks can easily be coordinated by a BPMS, while manual tasks cannot. Thus, in this first step we need to identify the type of each task. Then, in the next step, we will review the manual tasks and assess whether we can find a way to hook up these tasks to the BPMS. If this is not possible, we will have to consider whether or not it is convenient to automate the rest of the process without these manual tasks.

Let us consider again the order fulfillment process model that we created in Chap. 3, which is shown in Fig. 9.6 for convenience (for the moment, discard the activity markers). Let us assume we get this model from a business analyst and our task is to automate it from the seller viewpoint. This means we need to focus on the process in the Seller pool and discard the rest. The first activity, “Check stock availability”, sits in the ERP lane. This means that already at the conceptual level it was identified as an automated task. ERP systems do provide modules to manage inventories which automatically check the stock levels of a product against a warehouse database. This activity is highly repetitive as it is performed for each purchase order received. Performing it manually would be very inefficient and expensive, since it would employ a process participant though it does not require any particular human skill. Similar considerations hold for “Check raw materials availability”, which is also an automated task. Another example is activity “Manufacture product”. This is performed by an equipment (the manufacturing plant) which exposes its functionality via a service interface. So from the perspective of a BPMS, this is also an automated activity.

Continuing with our example, there are other tasks such as “Request raw materials from Supplier 1(2)” and “Get shipping address” that are devoted to sending and receiving messages. These are also examples of automated tasks. They can be implemented via automatic e-mail exchange or Web service invocation (and BPMSs typically provide these capabilities), despite they are not explicitly modeled inside a system lane. Recall that we are looking at a business-oriented process model, where it may not be relevant to model via lanes all existing systems (in this case an e-mail service or a Web service).

Other tasks like “Retrieve product from warehouse”, “Obtain raw materials from Supplier 1(2)” and “Ship product” are manual. For example, “Retrieve product from warehouse” requires a warehouse worker to physically pick up the product from the shelf for shipping. In the presence of a manual task we have two options: (i) we isolate the task and focus on the automation of the process before and after it, or (ii) we find a way for the BPMS to be notified when the manual task has started or

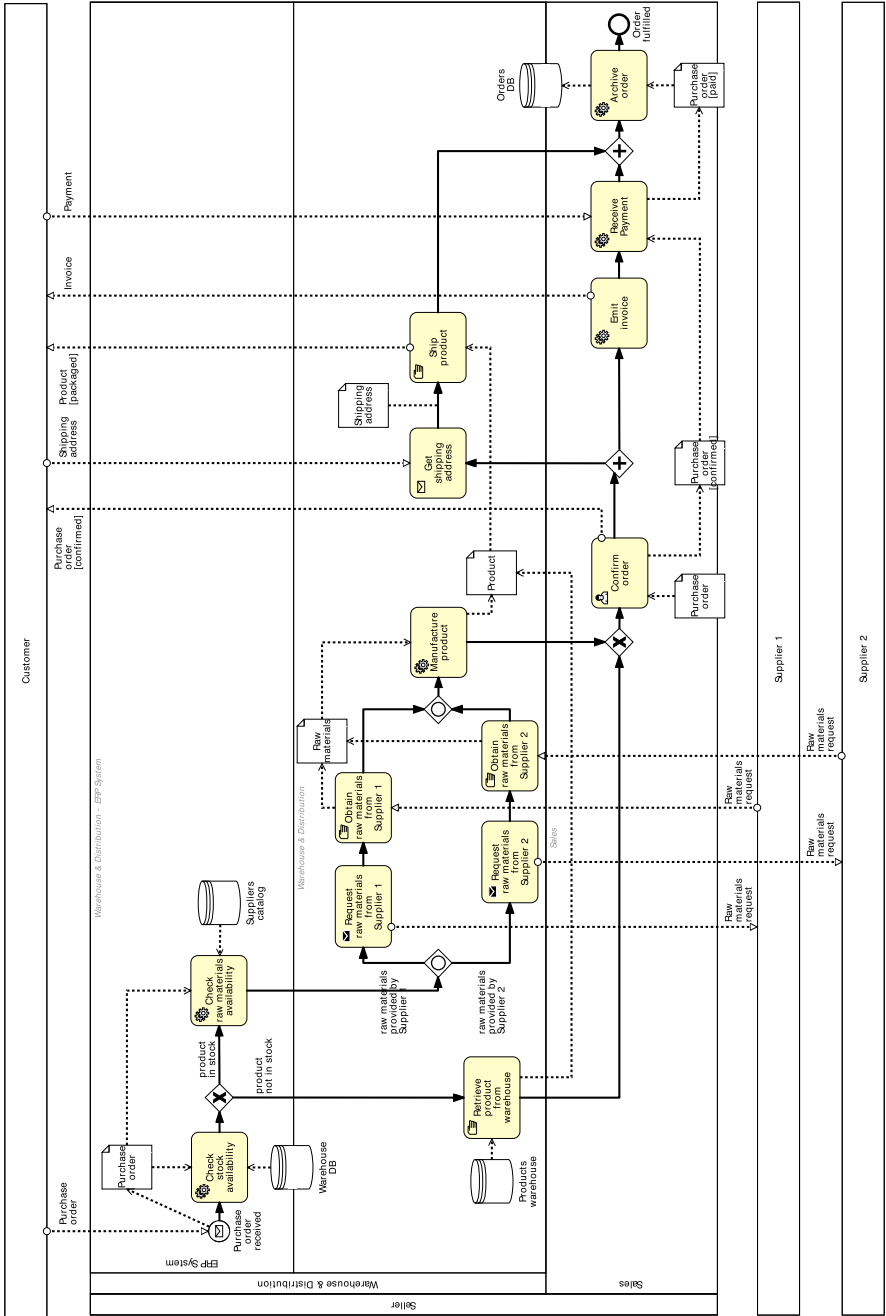


Fig. 9.6 The order fulfillment model that we want to automate

completed. We will get back to this point in the second step. For now, all we need to do is identifying these manual tasks.

“Confirm order” is an example of a user task: it requires somebody in sales (e.g. an order clerk) to verify the purchase order and then confirm that the order is correct. User tasks are typically scheduled through the worklist handler of the BPMS. In our example, an electronic form of the purchase order will be rendered on screen for the order clerk, who will verify that the order is in good state, confirm the order and then submit the form back to the execution engine.

The distinction between automated, manual and user tasks is captured in BPMN via specific markers on the top-left corner of the task box. Manual tasks are marked with a hand while user tasks are marked with a user icon. Automated tasks are further classified into the following subtypes in BPMN:

- *script* (script marker), if the task executes some code (the script) internally to the BPMS. This task can be used when the functionality is simple and does not require access to an external application, e.g. opening a file or selecting the best quote from a number of suppliers.
- *service* (wheels marker), if the task is executed by an external application, which exposes its functionality via a service interface, e.g. “Check stock availability” in our example.
- *send* (filled envelope marker), if the task sends a message to an external service, e.g. “Request raw materials from Supplier 1”.
- *receive* (empty envelope marker), if the task waits for a message from an external service, e.g. “Get shipping address”.

These markers apply to tasks only. They cannot be used on sub-processes since a sub-process may contain tasks of different types. The relevant markers for our example are shown in Fig. 9.6.

Exercise 9.6 Assume you have to automate the loan assessment process model of Solution 3.7 for the loan provider. Start by classifying the tasks of this process into manual, automated and user ones and represent them with appropriate task markers.

9.4.2 Review Manual Tasks

Once we have identified the type of each task, we need to check whether we can link the manual tasks to the BPMS, so that we can maximize the value obtained by the BPMS. Alternatively, we need to isolate these tasks so that we can automate the rest of our process. There are two ways of linking a manual task to a BPMS: either we implement it via a user task or via an automated task.

If the participant involved in the manual task can notify the BPMS of the task completion using the worklist handler of the BPMS, the manual task can be turned into a user task. For example, the warehouse worker performing task “Retrieve product from warehouse” could check-out a work item of this task from their worklist to

indicate that they are about to perform the job, manually retrieve the product from the shelf, and then check-in the work item back into the BPMS engine. Alternatively, check-out and check-in can be combined in a single step whereby the worker simply notifies the worklist handler that the job has been completed.

In some cases, a participant may use the aid of technology integrated with the BPMS to notify the engine of a work item completion. For example, the warehouse worker could use a barcode scanner to scan the barcode of the raw materials being obtained. The scanner would be connected to the BPMS so scanning the barcode would automatically signal the completion of “Obtain raw materials from Supplier 1(2)”. In this case, the manual task can be implemented as a receive task awaiting the notification from the scanner, or by a user task handled by a worklist handler which in turn is connected to the scanner. If we use a receive task, the BPMS will only be aware of the work item’s completion, in which case informing the warehouse worker that a new work item is available would be outside the scope of the BPMS. If we use a user task, the worker will be notified of the new work item by the BPMS, and will use the scanner to signal the work item’s completion to the BPMS engine. Similar considerations hold for task “Ship order”. Since each manual task of our example can be linked with a BPMS, this process can be automated as a whole.

Exercise 9.7 Consider the loan assessment model that you obtained in Exercise 9.6. Review the manual tasks of this model in order to link them to a BPMS.

There are cases in which it is not convenient to link manual tasks to a BPMS.

Example 9.1 Let us consider the university admission process described in Exercise 1.1, with the improvements discussed in Solution 1.5. The process until the point where the application is batched for the admissions committee (shown in Fig. 9.7a) can be automated. Once all the applications have been batched, the committee will meet and examine all of them at once. However, this part of the process (shown in Fig. 9.7b) is outside the scope of a BPMS. The tasks required for assessing applications cannot be automated because they involve various human participants who interact on an ad-hoc basis, and it would not be convenient to synchronize all these tasks with the BPMS. Eventually, the committee will draw a list of accepted candidates, transfer it to the admissions office, and a clerk at the admissions office will update the various student records, at which time the rest of the process can proceed within the scope of the BPMS (shown in Fig. 9.7c).

In this example we cannot automate the whole process. So we need to isolate activity “Assess application”, an ad-hoc activity containing various manual tasks, and automate the process before and after this activity. An option is to split the model into three fragments as shown in Fig. 9.7 and only automate the first and the third fragment. Another option is to keep one model, and simply remove the ad-hoc activity. Some BPMSs are tolerant to the presence of manual tasks and ad-hoc activities in executable models, and will discard them at deployment time (like comments in a programming language). If this is the case, we can keep these elements in. Observe the use of the untyped event to start the third process model fragment in Fig. 9.7. In

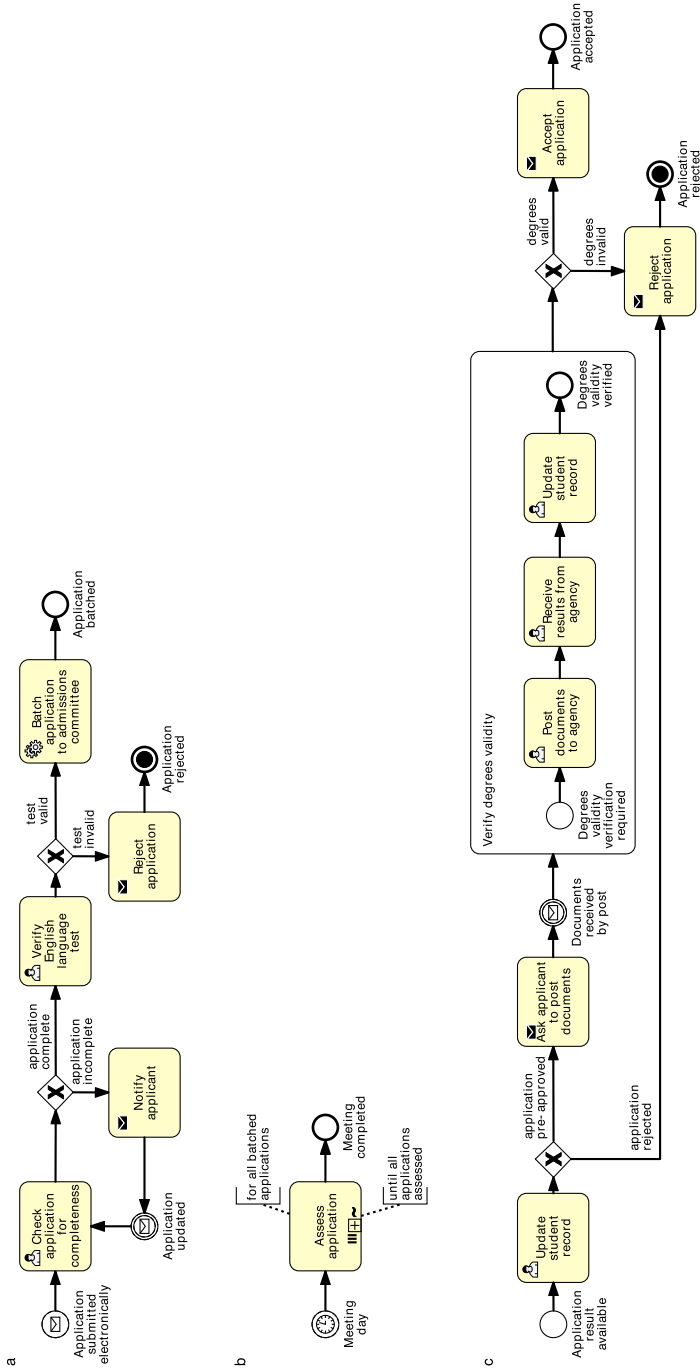


Fig. 9.7 Admission process: the initial (a) and final (c) assessments can be automated in a BPMS; the assessment by the committee (b) is a manual process outside the scope of the BPMS

BPMN, a process that starts with an untyped event indicates that instances of this process are explicitly started by a BPMS user, in our case a clerk at the admissions office. This process initiation is called *explicit instantiation* as opposed to *implicit instantiation* where process instances are triggered automatically by the event type indicated in the start event, e.g. an incoming message or a timer.

Finally, when the process is mostly or entirely made up of unordered manual tasks, automation does not provide any benefit, and is often even unfeasible. Take for example the post-production process in the screen industry. Activities like “Hold spotting session”, where director and composer watch the picture to decide the music cues, “Conduct negative cutting”, where the camera negative is manually cut and spliced to match the final edit specified by the film editor, and “Compose soundtrack”, can hardly be coordinated by a BPMS, since there is no strict order for their execution and each of them may be repeated multiple times. As a rule of thumb, a process whose tasks are performed in an ad-hoc manner, without any predictable order, is not suitable for automation via a production BPMS. In this case, a case handling or ad-hoc workflow system would be more appropriate.

Exercise 9.8 Consider the final part of the prescription fulfillment process described in Exercise 1.6:

Once the prescription passes the insurance check, it is assigned to a technician who collects the drugs from the shelves and puts them in a bag with the prescription stapled to it. After the technician has filled a given prescription, the bag is passed to the pharmacist who double-checks that the prescription has been filled correctly. After this quality check, the pharmacist seals the bag and puts it in the pick-up area. When a customer arrives to pick up their prescription, a technician retrieves the prescription and asks the customer for their co-payment or for the full payment in case the drugs in the prescription are not covered by the customer’s insurance policy.

One way of modeling this fragment is by defining the following tasks: “Check insurance”, “Collect drugs from shelves”, “Check quality”, “Collect payment” (triggered by the arrival of the customer), and finally “Retrieve prescription bag”. Assume the pharmacy system automates the prescription fulfillment process. Identify the type of each task and if there are any manual tasks, specify how these can be linked to the pharmacy system.

There are other modeling elements, besides manual tasks, that are relevant at a conceptual level but cannot be interpreted by a BPMS. These are physical data objects and data stores, messages bearing physical objects and text annotations. Pools and lanes are also used at a conceptual level only. In fact, as we have seen, pools and lanes are often used to capture coarse-grained resource assignments, e.g. activity “Confirm order” is done within the sales department. When it comes to execution, we need to define resource assignments for each task and capturing this information via dedicated lanes (potentially one for each task) will just make the diagram too cluttered. Electronic data stores are also not directly interpreted by a BPMS, as the BPMS assumes the existence of dedicated services that can access these data

stores, e.g. an inventory information service that can access the warehouse DB. So the BPMS will interface with these services rather than directly with the data stores. Also, the state of a data object indicated in the object's label, e.g. "Purchase order [confirmed]", cannot be interpreted as such by a BPMS. Later we will show how to explicitly represent object states so that they can be interpreted by a BPMS.

Some BPMSs tolerate the presence of these non-executable elements too. If this is the case, we suggest to leave these elements in. Especially pools, lanes, message flows bearing electronic objects, electronic data stores and annotations will guide us in the specification of some execution properties. For example, the Sales lane in the order fulfillment model tells us that the participant to be assigned task "Confirm order" has to be from the sales department. Other BPMS modeling tools do not support these elements, so it is not even possible to represent them in the diagram.

Exercise 9.9 Consider the loan assessment model that you obtained in Exercise 9.7. Identify the modeling elements that cannot be interpreted by a BPMS.

9.4.3 Complete the Process Model

Once we have established the automation boundaries of the process and reviewed manual tasks, we need to check that our process model is *complete*. Often business-oriented process models neglect certain information because modelers deem it is not relevant for the specific modeling purpose, they assume it is common knowledge, or simply, they are not aware of it. It may be fine to neglect this information in a business-oriented model, depending on the application scenario. However, information that is not relevant in a business-oriented model may be highly relevant for a process model to be executed.

A typical example is when the process model focuses on the "sunny-day" scenario and neglects all negative situations that may arise during the execution of the process, working under the assumption that everything will work well. As we saw in Chap. 4, the order fulfillment process is indeed subjected to a number of exceptions. For example, it may be aborted if the materials required to manufacture the product are not available at the suppliers or if the customer sends an order cancellation. So we need to make sure that all exceptions are handled using appropriate exception handlers. For example, if the order cancellation is received after the product has been shipped or after the payment has been received, we also have to compensate for these activities by returning the product and reimbursing the customer. Another exception that is commonly neglected is that representing an activity that cannot complete. What happens if the customer's address is never received? Or if the ERP module for checking the stock availability does not respond? We cannot assume that the other party will always respond or that a system will always be functional. Similarly, we cannot assume that activities always lead to a positive outcome. For example, an order may not always be confirmed.

You may be surprised how rarely exceptions are modeled in a business-oriented process in practice. Thus, in the majority of cases, such a model will require to be completed with these aspects before being executed.

In this step, we also need to specify all *electronic data objects* that are required as input and output by the tasks of our process. For instance, in Fig. 9.6 there is no input data object to task “Request raw materials from Supplier 1(2)”, though this task does need the list of raw materials to be ordered. Another example is task “Check stock availability”. This task uses the Purchase order as input (to obtain the code of the product to be looked up in the Warehouse DB) but does not produce any output data to store the results of the search. However, without this information, the subsequent XOR-split cannot determine which branch to take (we can now see why this is called *data-based XOR-split*). If you have not noticed the absence of these data objects so far, it is probably because you assumed their existence. This is fine in a business-oriented model where only aspects relevant to the specific modeling purpose are documented, but not in an executable model, where an engine has to run the model. So, make sure each activity has the required input and output electronic data objects. The principle is that every data object needed by the BPMS engine to pass control between activities and to take decisions must be modeled.

The completed order fulfillment example, including exception handlers and data objects that are relevant for execution, is shown in Fig. 9.8.¹

Exercise 9.10 Take the loan assessment model that you obtained in Exercise 9.6 after incorporating the revisions from Exercise 9.7. Complete this model with control-flow and data-flow aspects relevant for automation. For simplicity, you may disregard the modeling elements that are not interpretable by a BPMS.

9.4.4 Bring the Process Model to an Adequate Granularity Level

There is not necessarily a one-to-one mapping between the tasks in a business-oriented model and those in the corresponding executable model. Indeed, we should keep in mind that a BPMS is intended to coordinate and manage handovers of work between multiple resources (human or non-human). Accordingly, two or more consecutive tasks assigned to the same resource are candidates for *aggregation*. If this was the case, the BPMS would not add value between these two tasks because it would not manage any handover. All it would do is to interfere in the work of a given resource. For example, a sequence of user tasks “Enter customer name”, “Enter customer policy number” and “Enter damage details”, such that all three tasks will be performed by the same claims handler, should be aggregated into a single user task “Enter claim”.

¹The content of the sub-processes and some of the elements that cannot be interpreted by a BPMS have been omitted for simplicity.

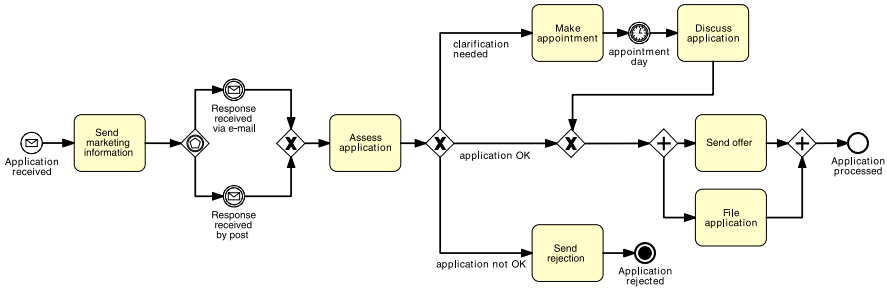


Fig. 9.9 The sales process of a B2B service provider

Fig. 9.7c we have three user tasks within sub-process “Verify degrees validity”: “Post documents to agency”, “Receive results from agency” and “Update student record”. While these may be performed by the same admin clerk, we do want to keep track of when each task has been completed, for the sake of monitoring the progress of the application and manage potential exceptions. For example, if the results are not received within a given timeframe, we can handle this delay by adding an exception handler to task “Receive results from agency”.

Exercise 9.11 Are there activities that can be aggregated in the model obtained in Exercise 9.10? Hint: candidate tasks for aggregation may not necessarily be consecutive due to a sub-optimal order of tasks in the business-oriented model. In this case, you need to resequence the tasks first (see Sect. 8.2.3).

In a similar vein, if an activity requires more than one resource to be performed, it is too *coarse-grained*, so we should disaggregate it into more fine-grained tasks such that these can be assigned to different resources. For example, an activity “Enter and approve money transfer” is likely to be performed by two different participants even if they have the same role, in order to enforce separation of duties: first a financial officer enters the order, then a different financial officer approves it.

Exercise 9.12 Figure 9.9 shows the model for the sales process of a business-to-business (B2B) service provider. The process starts when an application is received from a potential client. The client is then sent information about the available services and a response is awaited either via e-mail or postal mail. When the response is received, the next action is decided upon. Either an appointment can be made with the client to discuss the service options in person, or the application is accepted or rejected right away. If the application is accepted, an offer is sent to the client and at the same time the application is filed. If it is rejected, the client is sent a thank-you note and let go. If an appointment has to be made, this is done and at the time of the appointment, the application is discussed with the client. Then the process continues as if the application had been accepted right away.

1. Identify the type of each task and find ways of linking the manual tasks to a BPMS.

2. Remove elements that cannot be interpreted by a BPMS.
3. Complete the model with control-flow and data aspects required for execution.
4. Bring the resulting model to a granularity level that is adequate for execution.

Acknowledgement This exercise is adapted from a similar exercise developed by Remco Dijkman, Eindhoven University of Technology.

9.4.5 Specify Execution Properties

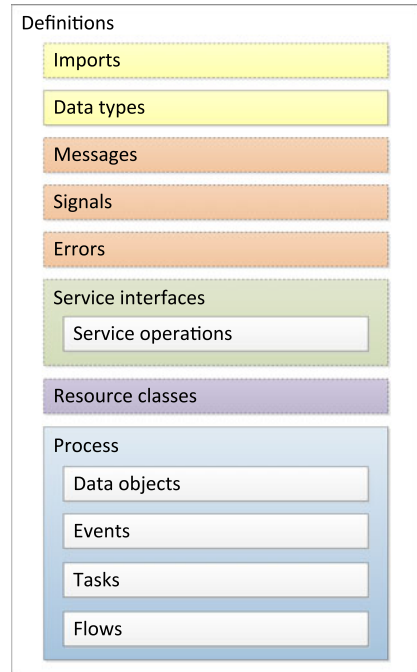
In the last step, we need to specify *how* each model element is effectively implemented by the BPMS. For example, take the first service task of our revised order fulfillment example: “Check stock availability”. Saying this task requires the purchase order as input to contact the warehouse ERP system is not enough. We need to specify the service provided by the ERP system to check stock levels and its location in the network, the product information in the purchase order that is required by this service (i.e. the format of the input object) and the information produced by the service (i.e. the format of the output object). These implementation details are called *execution properties*. More, specifically, these are:

- Process variables, messages, signals and errors
- Task and event variables and their mappings to process variables
- Service details for service, send and receive tasks, and for message and signal events
- Code snippets for script tasks
- Participant assignment rules and user interface structure for user tasks
- Task, event and sequence flow expressions
- BPMS-specific properties

These properties do not have a graphical representation in the BPMN diagram, but are stored in the BPMN 2.0 interchange format. The BPMN interchange format is a textual representation of a BPMN model in XML format. It is intended to support the interchange of BPMN models between tools and also to serve as input to a BPMN execution engine. BPMN modeling tools provide a visual interface to edit most of these non-graphical properties, so most of the times you will not need to write the XML directly. Still, you will need to understand standard Web technology, especially XML, XML Schema (XSD), and be familiar with the notion of (Web) service, to be able to implement a process model. This section assumes that you have basic knowledge of these technologies. We provide pointers to further readings on these technologies in Sect. 9.8.

Figure 9.10 shows the structure of the BPMN format. It consists of a list of elements, where some are optional (those with a dashed border) and others are mandatory (those with solid borders). The process element is mandatory and stores information about the process model. This consists of electronic data objects, events, tasks and flows. The elements outside the process are reusable components needed

Fig. 9.10 Structure of the BPMN format



by the various process elements, like message definitions and service interfaces which are used by service, send and receive tasks, and by message and signal events. With reference to this structure, let us now go through each of the execution properties above.

Process Variables, Messages, Signals and Errors Process variables are managed by the BPMS engine to allow data exchange between process elements. Each electronic data object, e.g. the purchase order in the order fulfillment process, represents a process variable. The lifetime of a process variable is confined to the life of the process instance in which the variable is created, and is only visible to the process level in which it is defined and to all its sub-processes. This means that a variable defined in a sub-process is not visible in the parent process.

We need to assign a *data type* to each process variable in order for a BPMS to be able to interpret and manipulate these variables. In BPMN, the type of each process variable is specified as an XSD type. The type of a variable can be *simple* or *complex*. Simple types are strings, integers, doubles (numbers containing decimals), booleans, dates, times, etc., and are already defined in the XSD specification. For example, the object Stock availability can be represented as a process variable of type integer (representing the number of available units of a product). Complex types are hierarchical compositions of other types. A complex type can be used for example to represent a business document, such as a purchase order or an invoice. Figure 9.11a shows the complex type of the purchase order, called purchaseOrderType, while

```

a)
<complexType name="purchaseOrderType">
  <sequence>
    <element name="order">
      <complexType>
        <sequence>
          <element name="orderNumber" type="integer"/>
          <element name="orderDate" type="date"/>
          <element name="status" type="string"/>
          <element name="currency" type="string"/>
          <element name="productCode" type="string"/>
          <element name="quantity" type="integer"/>
        </sequence>
      </complexType>
    </element>
    <element name="customer">
      <complexType>
        <element name="name" type="string"/>
        <element name="surname" type="string"/>
        <element name="address">
          <complexType>
            <sequence>
              <element name="street" type="string"/>
              <element name="city" type="string"/>
              <element name="state" type="string"/>
              <element name="postCode" type="string"/>
              <element name="country" type="string"/>
            </sequence>
          </complexType>
        </element>
        <element name="phone" type="string"/>
        <element name="fax" type="string"/>
      </complexType>
    </element>
  </sequence>
</complexType>

b)
<purchaseOrder>
  <order>
    <orderNumber>15664</orderNumber>
    <orderDate>2012-10-23</orderDate>
    <status>confirmed</status>
    <currency>EUR</currency>
    <productCode>345-EAR</productCode>
    <quantity>10</quantity>
  </order>
  <customer>
    <name>John</name>
    <surname>Brown</surname>
    <address>
      <street>8 George St</street>
      <city>Brisbane</city>
      <state>Queensland</state>
      <postCode>4000</postCode>
      <country>Australia</country>
    </address>
    <phone>+61 7 3240 0010</phone>
    <fax>+61 7 3221 0412</fax>
  </customer>
</purchaseOrder>

```

Fig. 9.11 The XSD describing the purchase order (a) and one of its instances (b)

Fig. 9.11b is the XML representation of a particular purchase order instance at runtime. From the type definition we can see that a purchase order contains a sequence of two elements:

- Order, to store the order information (order number, order date, status, currency, product code and quantity), and
- Customer, to store the customer information (name, surname, address, phone and fax)

The data fields order, customer and address are complex types so that they can contain sub-elements. Also, observe the field status within order: this is used to capture the state of the purchase order, e.g. “confirmed”.

Similar to process variables, we also need to assign data types to each message, signal and error used in the process model. For the messages, we can look at the existing message flows in the diagram and define one data type for each uniquely labeled message flow. So for example if we have two message flows labeled purchase order, they will obviously take the same type purchaseOrderType. If message

flows are not modeled, we can look at the send, receive and service tasks, and at the message events present in the diagram in order to understand what messages to define. For signals and errors we have to look at the signal and error events that we have defined in the diagram. While for a signal, the data type describes the content of the signal being broadcasted or listened to, for an error the data type defines what information is carried with the error. For example, if it is a system error, we can use this to specify the error message returned by the system. In addition, we need to assign an *error code* to each error. This code uniquely identifies an error within the process model, so that a catching error event can be related to a throwing error event.

Task and Event Variables Besides the above data elements, we need to define the internal variables of each task, called *data inputs* and *data outputs* in BPMN. Data inputs and outputs act as interfaces between a task and its input and output data objects. They also need to refer to an XSD type defining their structure, but different from process variables, they are only visible within the task (or sub-process) in which they are defined. Data inputs capture data that is required by the task to be executed; data outputs capture data that is produced by the task upon completion. Thus, data inputs are populated with the content of input data objects while data outputs are used to populate the content of output data objects. For example, we need a data input for task “Check stock availability” in order to store the content of the purchase order. Thus, the type of this data input must match that of the input object, i.e. *purchaseOrderType*. Similarly, the data output must be of type *integer* to store the number of items in stock, so that this information can be copied into stock availability upon task completion.

The mapping between data objects and task data inputs/outputs is defined via the task *data associations*. Data associations can also be used to define complex data assignments beyond one-to-one mappings. For example, consider task “Manufacture product”. The service invoked by this task only requires the order product code and quantity in order to start the manufacturing of the product. Thus, we can use a data association to extract the product code and quantity from the input purchase order, and populate a data input containing two sub-elements of types *string*, respectively, *integer*. In most cases, the BPMS will automatically create all the tedious data mappings between data objects and tasks. For example, for the case above all we need to do is to select the sub-elements of the purchase order we want to use as input to “Manufacture product”, and the BPMS will create the required data inputs and their mappings for this task. BPMN relies on XPATH 1.0 as the default language for expressing data assignments like the one above. However, other languages can be used like Java Universal Expression Language (UEL) or Groovy. The choice depends on the BPMS adopted. For example, Activiti supports UEL, Bonita Open Solution and Camunda Fox support Groovy while BizAgi’s BPM Suite supports its own expression language.

Similar to tasks, events that transmit or receive data, i.e. message, signal and error events, also have internal variables. Specifically, the catching version of these events has one data output only, to store the content of the event being caught (e.g. an

incoming message), whereas the throwing version has one data input only, to store the content of the event being thrown (e.g. an error). Thus, we also need to assign these data inputs and outputs a type that has to match that of the message, signal or error associated with the event. For example, the start catching message event “Purchase order received” in the order fulfillment example uses a data output to store the purchase order message once this has been received. Thus, this data output must match the type of the incoming message, which is precisely `purchaseOrderType`. In turn, the output object must have the same type as the output data, to contain the purchase order.

The complex types for all data elements of the process can be defined directly in the BPMN model or imported from an external document (see Fig. 9.10).

Service Tasks Once we have defined the types of all data elements, and mapped task and event data inputs and outputs to these types, we have to specify how tasks and events have to be implemented. For service tasks we need to specify how to communicate with the external application that will execute the task. Be it a complex system or a simple application, from the perspective of the BPMS all that is required is that the external application provides a *service interface* that the service task can use. A service interface contains one or more *service operations*, each describing a particular way of interacting with a given service. For example, a service for retrieving inventory information provides two operations: one to check the current stock levels and one to check the stock forecast for a given product (based on product code or name). An operation can either be *in-out* or *in-only*. In an in-out operation (also called *synchronous* operation), the service expects a request message and replies with a response message once the operation has been completed, or optionally with an error message if something goes wrong. For example, the service invoked by task “Check raw materials availability” receives stock availability information as input message and replies with a list of raw materials to be ordered as output message. Alternatively, if the service experiences an exception (e.g. the suppliers catalog is unreachable), it replies with an error message which triggers the boundary error event of this task so that the relative exception handler can be performed.² Conversely, in an in-only operation (also called *asynchronous* operation), the service expects a request message but will not reply with a response message. For example, task “Archive order” notifies an archival service of the purchase order to be archived, however, the process does not wait for an archival confirmation.

Each message of a service operation needs to reference a message in the BPMN model, so that it can be assigned a data type. For instance, the request and the response messages to interact with the inventory service have data type `purchaseOrderType`, respectively, XSD integer. For each interface, we also need to specify how this is concretely implemented, i.e. what communication protocols are used by

²Note that there is no throwing end error event inside “Check raw materials availability” since the catching error event is triggered by the receipt of an error message by the service task. The ability to link error messages with error events is a common feature of BPMSs.

the service and where the service is located in the network. By default, BPMN uses Web service technology to implement service interfaces, and relies on WSDL 2.0 to specify this information. In practice, this corresponds to defining one or more external WSDL documents and importing them into our BPMN model. Once again, other implementations are possible, e.g. one could implement a service interface via Java remote procedure call or plain XML over HTTP.

After defining the service interfaces for our process, we need to associate each service task with a service operation defined in a service interface. Based on the type of the operation (in-out or in-only), we then need to define a single data input that must match the type of the request message in the referenced service operation, and optionally a single data output that must match the type of the response message in the operation. The BPMS engine will copy the task data input to the request message and send it out to the service, and once the response message has been received, will copy the content of this message to the task data output.

Send and Receive Tasks, Message and Signal Events Send and receive tasks work similarly. A send task is a special case of the service task: it sends a message to an external service using its data input, but there is no response. An example is task “Notify unavailability to customer”. A receive task waits for an incoming message and uses its data output to store the message content. Task “Get shipping address” is an example of this. Both task types need to reference an in-only service operation where the message is defined. However, for the receive, the message being received is seen as a request coming from an external service requester. Thus, in this case the process itself acts as the service provider.

A receive task can also be used to receive the response of an asynchronous service which has previously been invoked with a send task. This is the case of tasks “Request shipping address” and “Get shipping address”. The asynchronous service is provided by the customer. Accordingly, in the send task the seller’s process acts as the service requester sending a request message to the customer. In the receive task the roles get swapped: the seller acts as the service provider to receive the response message from the customer. This pattern is used for long-running interactions, where the response may arrive after a while. The drawback of using a synchronous service task in place of a send-receive is that this task would block the process to wait for the response message. This is not the case in Fig. 9.8, where the send and receive tasks are in parallel to “Emit invoice” which may thus be performed in-between.

Message and signal events work exactly like send and receive tasks. For signal events, it is assumed that the service being contacted has publish-subscribe capabilities, e.g. a Web service for subscribing to RSS feeds.

Script Tasks For script tasks, we need to provide the snippet of code that will be executed by the BPMS. This code can be written in a programming language such as JavaScript or Groovy. BPMN does not prescribe the use of a specific programming language so the choice depends on the BPMS used. The task data inputs store the parameters for invoking the script while the data outputs store the results

of executing the script. For example, for task “Determine cancellation penalty” we can define a script that extracts the order date and the cancellation request date from two data inputs mapped to the input objects purchase order and cancellation request, uses this information to compute a penalty of €15 for each day past the order date, and copies this value to the data output.

User Tasks For each user task we need to specify the rules for assigning work items of this task to process participants at runtime, the technology to communicate with participants and the details of the user interface to use. Moreover, like for any other task, we need to define data inputs to pass information to the participant, and data outputs to receive the results.

Process participants that can be assigned user tasks are called *potential owners* in BPMN. A potential owner is a member of a resource class. In the context of user tasks, a resource class identifies a static list of *participants* sharing certain characteristics, e.g. holding the same role or belonging to the same department or unit. An example of resource class for the order fulfillment process is order clerk, which groups all participants holding this role within the sales department of the seller organization. Note that these resource classes are unrelated to pools and lanes, which are only notational elements in a business-oriented process model. A resource class can be further characterized by one or more *resource parameters*, where a parameter has a name and a data type. For example, we can define two parameters product and region of type string to indicate the particular products an order clerk works with, and the region they work in.

Once we have defined all required resource classes and optionally their parameters, we can assign each user task to one or more resource classes based on an expression. For example, we can express that work items of task “Confirm order” have to be assigned to all participants of type Order clerk who deal with the particular product being ordered and work in the same region as the customer. For this, we can define an XPATH expression that selects all members of Order clerk whose properties product and region are equal to the product code, respectively, country contained in the purchase order.

We also need to specify the implementation technology used to offer the work item to the selected participant(s). This entails aspects such as how to reach the participant (e.g. via email or worklist notification), how to render the content of the task data inputs on screen (e.g. via one or more web forms organized through a particular screenflow), and the strategy to assign the work item to a single participant out of those satisfying the assignment expression (e.g. assign it to the order clerk with the shortest queue or randomly). The configuration of these aspects, as well as the association of participants to resource classes is dependent on the specific BPMS being used.

Task, Event and Sequence Flow Expressions Finally, we need to write expressions for the various attributes of tasks and events, and for the sequence flows bearing conditions. For instance, in a loop task we need to write a boolean expression that implements the textual annotation indicating the loop condition (e.g. “until response approved”). This boolean expression will determine when will the loop task

be repeated. This expression can be defined over data elements, e.g. it can be an XPATH expression that extracts the value of the boolean element “approved” from a Response object. We can also use *instance attributes* inside these expressions. These are variables that vary by instance at execution. An example is *loop count*, which counts the number of iterations for a loop task. For the timer event we need to specify an expression to capture the temporal event informally expressed by its label (e.g. “Friday afternoon”). Here we have three options: we can either provide a temporal expression in the form of a precise date or time, a relative duration, or a repeating interval. Once again, these expressions can be linked to data elements and instance properties so as to be resolved dynamically at execution. For example, we can set an order confirmation timeout based on the number of line items in an order. Finally, we need to write a boolean expression to capture the condition attached to each sequence flow following an (X)OR-split. For example, condition “product in stock” after the first XOR-split in the order fulfillment example can be implemented as an XPATH expression that checks whether the value of variable stock availability is at least equal to the product quantity contained in the purchase order. There is no need to assign an expression to a default sequence flow, since this arc will be taken by the BPMS engine if the expressions assigned to all other arcs emanating from the same (X)OR-split evaluate to false.

BPMS-Specific Properties Strictly speaking, the only BPMS-specific properties that we have to configure in order to make a process model executable are those of user tasks. In practice, however, we will likely need to link our executable process with the enterprise system of our organization. This is called *system binding*. Luckily, BPMSs offer a range of predefined service task extensions, called *service adapters* (or *service connectors*), to implement common system binding functions in a convenient way. Examples of such binding functions include: performing a database lookup, sending an email notification, posting a message to Twitter or setting an event in Google Calendar, reading or writing a file and adding a customer in a CRM system. Each adapter comes with a list of parameters that we need to configure. However, BPMSs provide wizards with capabilities to auto-discover some of the parameter values. For instance, to use a database lookup we need to provide the type of the database server (e.g. MySQL, Oracle DB) and the URL where the server can be reached, the schema to be accessed, the SQL query to run and the credentials of the user authorized to run the query.

Coming back to our example, instead of implementing task “Check stock availability” as a service task, which assumes the existence of an inventory information service at the seller, we could implement this task with a generic database lookup adapter, provided we know what to search for and where. Similarly, we could implement the tasks for communicating with the customer like “Notify unavailability to customer” and “Request shipping address” as email adapters, so that we do not need to implement a dedicated email service in our organization. The number and variety of adapters that a BPMS provides largely contribute to increasing the value of the product over competing solutions.

Exercise 9.13 Consider the loan assessment process model that you obtained in Exercise 9.11. The loan application contains these data fields:

- Applicant information:
 - Identity information (name, surname, ...)
 - Contact information (home phone, cell phone, ...)
 - Current address (street name and number, city, ...)
 - Previous address (as above plus duration of stay)
 - Financial information (job details, bank details)
- Reference information (identity, contact, address, relation to applicant)
- Property information (property type, address, purchasing price)
- Loan information (amount, number of years, start date, interest type: variable/fixed)
- Application identifier
- Submission date and time
- Revision date and time
- Administration information (a section to be compiled by the loan provider):
 - Status (a string to keep track of the state of the application, with predefined values: “incomplete”, “complete”, “assessed”, “rejected”, “canceled”, “approved”)
 - Comments on status (optional, e.g. used to explain the reasons for rejection)
 - Eligibility (a boolean to store whether or not the applicant is eligible for a loan)
 - Loan officer identifier
 - Insurance quote required (a boolean to store whether or not a home insurance quote is sought)

The credit history report contains these data fields:

- Report identifier
- Financial officer identifier
- Reference to a loan application
- Applicant’s credit information:
 - Loan applications made in the last five years (loan type: household/personal/domestic, amount, duration, interest rate)
 - Overdue credit accounts (credit type, default amount, duration, interest rate)
 - Current credit card information (provider: Visa, Mastercard, ..., start date, end date, interest rate)
 - Public record information (optional, if any):
 - Court judgments information
 - Bankruptcy information
- Credit assessment (a string with predefined values: AAA, AA, A, BBB, BB, B unrated).

The risk assessment contains the following data fields:

- Assessment identifier
- Reference to a loan application
- Reference to a credit history report

- Risk weight (an integer from 0 to 100)

The property appraisal contains the following data fields:

- Appraisal identifier
- Reference to a loan application
- Property appraiser identifier
- Property information (property type, address)
- Value of three surrounding properties with similar characteristics
- Estimated property market value
- Comments on property (optional, to note serious flaws the property may have)

The agreement summary contains the following data fields:

- Reference to a loan application
- Conditions agreed (a boolean indicating if the applicant agreed with the loan conditions)
- Repayment agreed (a boolean indicating if the applicant agreed with the repayment schedule)
- Link to digitized copy of the repayment agreement

The loan provider offers a website where applicants can submit and revise loan applications online, track the progress of their applications and if required, cancel applications in progress. This website implements an underlying Web service with which the loan assessment process interacts. In practice, this service acts as the applicant from the perspective of the loan assessment process. For example, if the applicant submits a new loan application through the website, this service wraps this application into a message and sends it to the BPMS engine of the loan provider, which in turn starts a new instance of the loan assessment process. If the loan assessment process sends an application for review to this service, the service presents this information to the applicant via the loan provider's website.

Further, the loan assessment process interacts with an internal service for assessing loan risks. This service determines a risk weight which is proportional to the credit assessment contained in the credit history report, on the basis of the applicable risk rules read from a database (the interaction between the service and the database is transparent to the BPMS). The risk assessment service returns a risk assessment containing an identifier (freshly generated), a reference to the loan application and one to the credit history report (both extracted from the credit history report), and the risk weight.

Based on the above information, specify the execution properties for the elements of this process model. You are not required to define the actual XSD type of each data element, nor to specify the actual Groovy scripts or XPATH expressions. All you need to do is to identify what properties have to be specified, i.e. what data inputs and outputs, service interfaces, operations, messages and errors are required, and determine their data type in relation to that of process variables. For example, a data input may map to a process variable or to a data field within this. For scripts, you need to define via task data inputs and outputs what data is required by the script, what data is produced and how the input data is transformed into the output

one. For example, based on the value of a data field in a process variable, a script may write a particular value in the data field of another process variable. Similarly, for each user task, you need to identify what information is presented to the task performer, and how the data output is obtained. Finally, you need to explain how each expression can be evaluated on the basis of data fields within process variables (e.g. to implement the condition of a sequence flow), or constant values like a date (e.g. to implement a timer event).

9.4.6 *The Last Mile*

Now that you have become familiar with what is required to turn a process model executable, the last step for you is to take a process model and implement it using a BPMS of your choice (e.g. Activiti, Bonita Open Solution, Bizagi's BPM Suite, YAWL). The landscape of BPMSs and their specificities evolves continuously. We can identify three categories of BPMSs with respect to their support for BPMN:

1. **Pure BPMN** These tools have been designed from the ground up to support BPMN natively. They follow the specification "to the letter" though they might not fully support it. Examples are Activiti and Camunda Fox.
2. **Adapted BPMN** These tools use a BPMN skin but rely on an internal representation to execute the process model. They can import and sometimes also export in the BPMN 2.0 format. They typically predate BPMN and evolved from previous versions to support the specification. Examples are Bizagi's BPM Suite and Bonita Open Solution.
3. **Non BPMN** There is finally a general category of BPMSs which use their own proprietary language and semantics. These tools do not support BPMN. Examples are BPMOne from Perceptive Software and YAWL.

At the time of writing, most of the BPMSs supporting BPMN in one way or another, still do not cover all aspects of the specification that are relevant for execution. For example, elements like message boundary events, compensation events and non-interrupting events are hardly supported. So concretely we have to give up on one or more of these elements depending of the BPMS that we adopt. One expects though that support for executable BPMN will increase over time.

This section illustrated how to design executable BPMN models in a vendor-independent manner. The book's website (<http://fundamentals-of-bpm.org>) provides tutorial notes showing how to configure an executable process model for concrete BPMSs.

Exercise 9.14 Based on the execution properties that you specified in Exercise 9.13, implement the loan assessment process using a BPMS of your choice.

9.5 Recap

In this chapter we focused on a specific type of process-aware information system, namely Business Process Management Systems (BPMSs). We discussed the architecture of a BPMS and its main components: the execution engine, the process modeling tool and the process model repository, the administration and monitoring tools and the execution logs, as well as the external services that can be invoked.

There are many reasons for considering process automation. First, it provides workload reduction in terms of coordination: work is assigned to process participants or software services as soon as it is available. Second, it offers integration flexibility. Processes can be changed with significantly less effort as compared to legacy systems, provided they are explicitly represented via process models. Third, the execution in a BPMS generates valuable data on how processes are executed, including performance-relevant data. Finally, BPMSs improve the quality of process execution as they directly enforce rules such as separation of duties.

Introducing BPMSs poses various challenges. Technical challenges arise from the fact that many applications that have to be integrated are typically not designed as open systems with transparent interfaces. Beyond that, organizational challenges are rooted in the fact that BPMSs directly interfere with how people do their job. This fact calls for sensitive change management.

Finally, we presented a method for transforming business-oriented process models into executable specifications, so that they can be interpreted by a BPMS. First, we need to identify the type of each process task (automated, manual or user) and review manual tasks to find, whenever it is possible, a way to link these to the BPMS. Next, we need to complete the process model by specifying all control-flow and data aspects that are relevant for execution and bridge the diverging level of granularity between a business-oriented process model and its executable counterpart. Finally, we need to specify a number of execution properties for each model element. Some of these properties, like for user tasks, are vendor-specific and so will vary depending on the specific BPMS that we decide to adopt.

9.6 Solutions to Exercises

Solution 9.1 There are three current work items:

1. Case #1,220: Determine Proper Piece of Equipment
2. Case #1,230: Determine Proper Piece of Equipment
3. Case #1,240: Complete Equipment Rental Request

Solution 9.2

- The execution engine would be unable to determine to allocate work items to resources on the basis of a process model alone, when it would only cover control-flow information.

- One common situation would be that the process model in question specifies that after a certain activity there is a parallel split, enabling the execution of various follow-up activities.
- Other examples of services that can be useful to be invoked: calculation services (e.g. to determine a mortgage rate or to estimate the total cost of a service), information storage and retrieval services (e.g. to register the outcome of a completed work item or to look up client information), scheduling services (e.g. to plan work that is to be done in follow-up or to estimate a delivery date), communication services (e.g. to get in touch with the client or a business partner), etc.
- The descriptions of the business processes and the available kinds of resource should exactly be the same to allow for passing on work items among different BPMSs. Otherwise, it may become impossible to map the availability of a work item within a process in one time zone to a particular state of that process in another time zone.
- Most notably, it would be important to specify on which working days particular resources are available and during which hours, e.g. Ms. Withagen only works on Mondays and Fridays from 9 AM to 4 PM. In this way, it becomes possible for the execution engine to allocate work items in an efficient manner.

Solution 9.3

1. It should become possible that the new decision support system can be invoked as an external service.
2. If Ms. Withagen retires, this must be recorded with the administration tool.
3. The new rule to allocate work items to resources must be captured in an updated process model.
4. The monitoring service must be implemented in a monitoring tool.

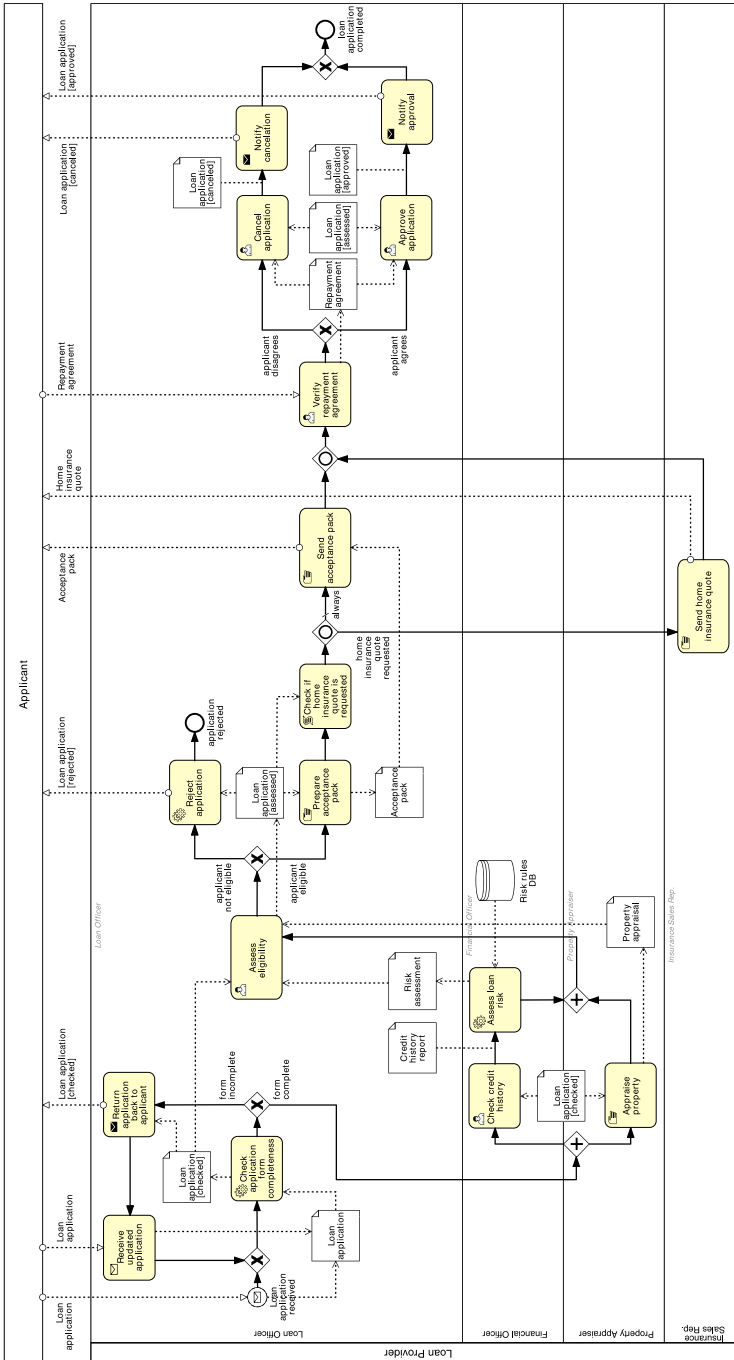
Solution 9.4

- Quality
- Transparency
- Flexibility

Solution 9.5

1. Organizational issue: BPMSs can be highly tailored to take patient-specific data into account.
2. Technical issue: The integration of the decision support system may require additional, customized software development.
3. Organizational/technical: The nurses may one the one hand get accustomed to using the BPMS in general and worklist handlers specifically. On the other hand, it may not be a good technical solution to use vibration signals—an alternative would be, for example, to use sound signals.

Solution 9.6



Solution 9.7 All five manual tasks of this process, namely “Appraise property”, “Prepare acceptance pack”, “Send acceptance pack”, “Send home insurance quote” and “Verify repayment agreement” can be implemented as user tasks. In “Appraise property”, the property appraiser is notified through their worklist that they have to appraise a new property. The information on the property is carried by the work item of this task (e.g. property type and address). The property appraiser physically goes to the property address for an inspection and checks the value of surrounding properties. Once done, he prepares the appraisal on an electronic form and submits it to the BPMS engine via the worklist handler. “Prepare acceptance pack”, “Send acceptance pack”, “Send home insurance quote” can be implemented as user tasks in a similar way.

“Verify repayment agreement” appears in the loan officer’s worklist as soon as the acceptance pack, and optionally the insurance quote, have been sent to the applicant. The officer checks out this work item once they have received the repayment agreement from the applicant by post. They manually verify the agreement, digitize it and attach it as a file to the agreement summary—an electronic form associated with this work item and pre-populated with information extracted from the loan application. If the applicant accepted all loan conditions and agreed with the repayment schedule, the officer ticks the respective checkboxes in the agreement summary and submits this to the BPMS engine.

Solution 9.8 Task “Check insurance” can be automated through a service that determines the amount of the co-payment based on the details of the prescription and on the customer’s insurance policy.

Tasks “Collect drugs from shelves” and “Check quality” are manual tasks. These tasks can be implemented as user tasks in the automated process. To do so, the pharmacy technician who collects the drugs, and the pharmacist who quality-checks the prescription and seals the bag, should have a convenient mechanism to signal the completion of these activities to the BPMS. This could be achieved by putting in place a system based on barcode scans to track prescriptions. For example, the technician would see a list of prescriptions to be filled from their worklist. They would then pick up one of the prescriptions and the system would associate the prescription to a new barcode which is printed on an adhesive label. The technician would then attach the label to a bag, collect the drugs and put them in a bag, and when done, they would scan the barcode from the label to record that the prescription has been fulfilled. This signals the completion of task “Collect drugs from shelves” to the pharmacy system. In turn, it generates a new work item of task “Check quality” in the pharmacist’s worklist. The pharmacist can then quality-check the prescription and scan the barcode again.

Task “Collect payment” is also a manual task. This task could be implemented as a service task whereby the pharmacy system would push the task of collecting the payment for a prescription to a Point-of-Sale (POS) system and expect the POS system to indicate that the payment has been collected. The pharmacy technician would interact with the POS system once the customer arrives, but this interaction is outside the scope of the pharmacy system. The pharmacy system merely pushes work to the POS system and waits for completion.

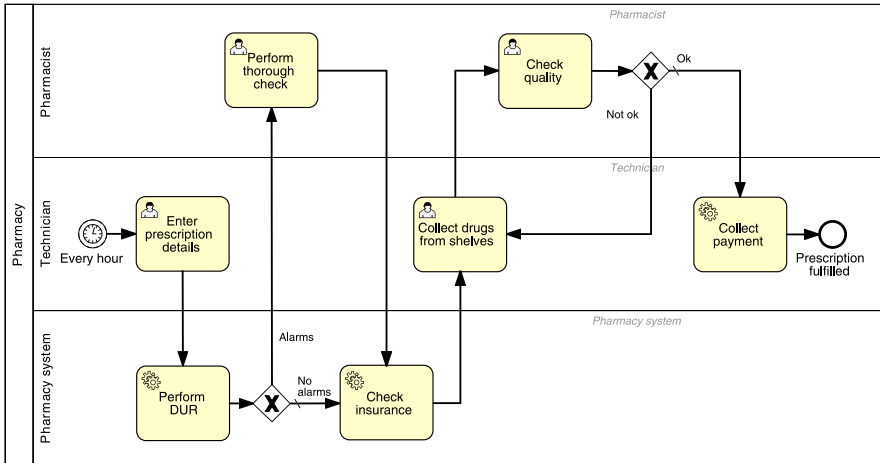


Fig. 9.12 The automated prescription fulfillment process

The description of the process implicitly refers to a manual task whereby the pharmacist seals the bag and puts it into the pick-up area. However, this “Seal bag” task is not included in the executable process model. Instead, this task is integrated into the “Check quality” task. In other words, at the end of the quality check, the pharmacist is expected to seal the bag if the prescription is ready and drop the bag in the pick-up area.

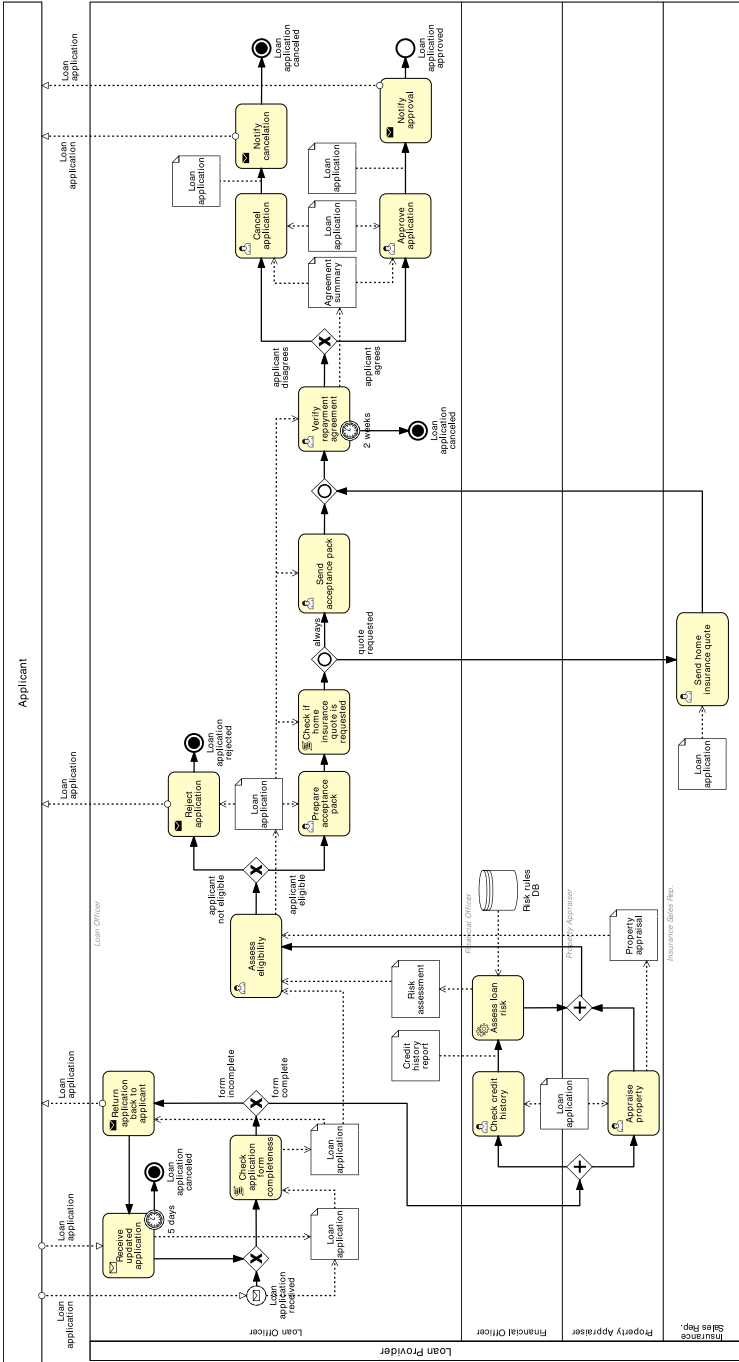
Task “Retrieve prescription bag” is also manual but there is no value in automating it in any way. So this task is left out of the executable process model, which completes once the payment has been made.

The executable model of the entire prescription fulfillment process is illustrated in Fig. 9.12.

Solution 9.9

- Physical data objects: Acceptance pack (this is the loan offer on paper), Repayment agreement (this is signed by the applicant on paper and has been replaced by the Agreement summary, an electronic document containing a link to a digitized copy of the repayment agreement plus a reference to the loan application). We assume all other communications between applicant and loan provider to occur via e-mail
- Messages carrying physical objects: Acceptance pack, Repayment agreement, Home insurance quote (the quote is sent on paper)
- Data stores: Risk Rules DB
- States of data objects
- Pools and lanes

Solution 9.10



Note that a work item of task “Verify repayment agreement” automatically disappears from the loan officer’s worklist if the officer does not start it within two weeks. This happens if the officer has not received the repayment agreement by post within that timeframe.

Solution 9.11 It makes sense for tasks “Prepare acceptance pack” and “Send acceptance pack” to be performed by the same loan officer. However, task “Check if home insurance quote is requested” is meant to be executed between these two tasks. Since there is no temporal dependency between “Check if home insurance is requested” and the other two tasks, we can postpone the former to after “Send acceptance pack” or parallelize it with the other two tasks. This way we can aggregate the two consecutive tasks into “Prepare and send acceptance pack”.

Solution 9.12 The solution is shown in Fig. 9.13.

1. Task types: the manual task of this process is “Discuss application”. This can be implemented as a user task that completes by producing a recommendation.
2. Non-executable elements: all elements can be interpreted by a BPMS. Note that the catching message event “Response received by post” assumes the existence of an internal service at the service provider that notifies the process when the response has been received by post.
- 3.1. Missing control flow: task “Create electronic response” is needed to convert the response received by post into an electronic version that can be consumed by a BPMS. Task “Assess response” may be interrupted by a request to cancel the application, for which the process is aborted. This request may also be received during the acceptance handling, in which case tasks “Send offer” and “File application” need be compensated. A one-week timeout is added to receive the response.
- 3.2. Missing data: all electronic data objects were missing in the conceptual model.
4. Granularity level: task “Make appointment” has been disaggregated to explicitly model the task of notifying the client of the result. Similarly, “Send offer” and “Send rejection” have been disaggregated to model the preparation of the offer, respectively, the rejection letter. Given that “Send offer” has been split into two activities (“Make offer” and “Send offer”) each needs to be compensated if a cancellation request is received.

Solution 9.13 We need two service interfaces to interact with the Web service behind the loan provider’s website. One interface where the loan provider acts as the service provider and the other where the website service acts as the service provider. The former interface contains one in-only operation for the loan provider to receive the initial loan application. The latter interface contains the following four operations for the website service:

- an in-out operation to receive the assessed loan application (containing change requests), and to respond with the revised loan application (where changes have been made)

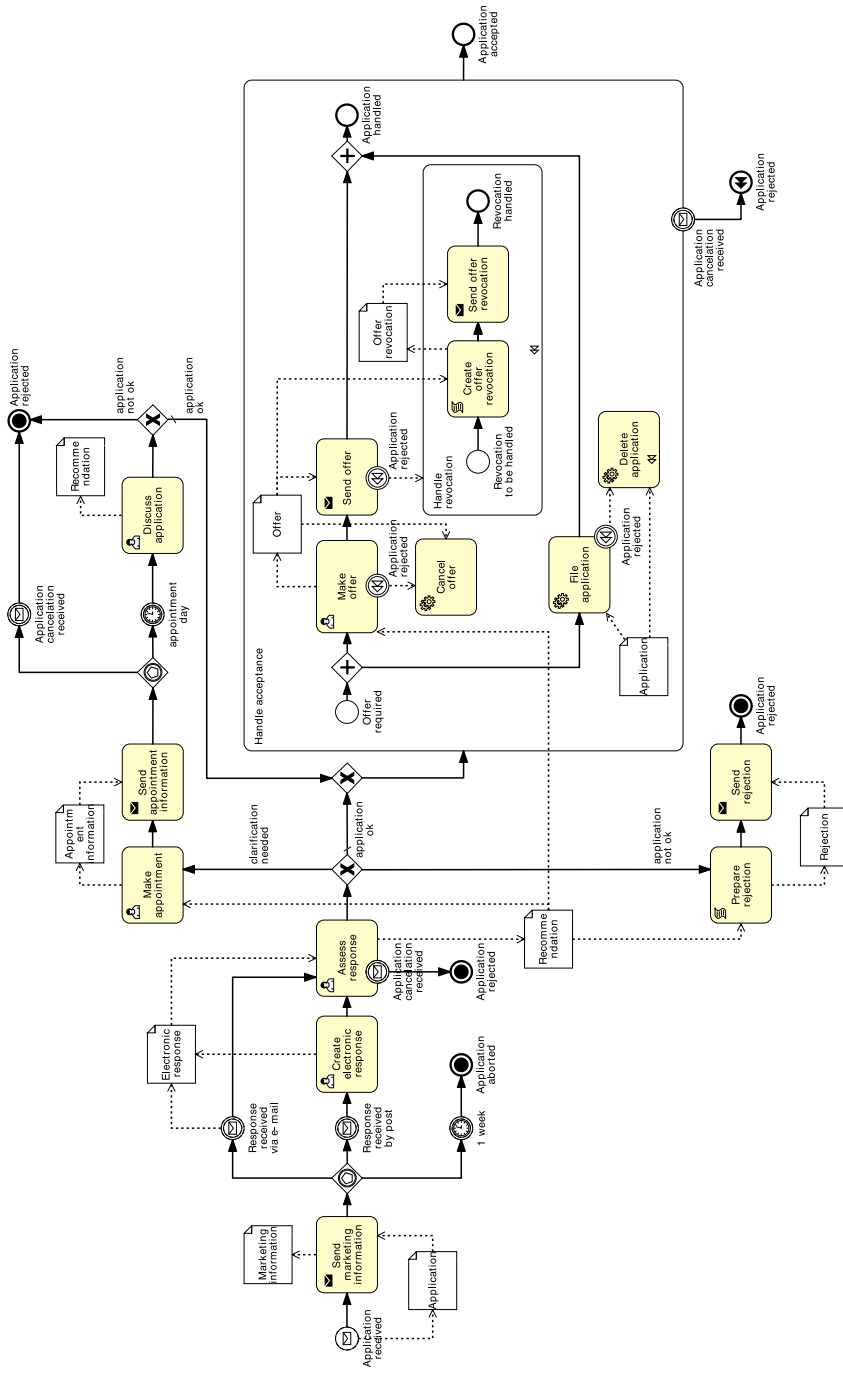


Fig. 9.13 The model for the sales process of a B2B service provider, completed with missing control flow and data relevant for execution

- an in-only operation to receive the rejected loan application
- an in-only operation to receive the approved or canceled loan application

The four operations above require five messages in total, all of the same data type as the loan application's. These operations are assigned to the start message event, the four send tasks and the receive task of the process, which need to have suitable data inputs and outputs to contain the loan application. The mapping of these data inputs and outputs to data objects is straightforward, except for the send task "Reject application", which needs to modify the status of the loan application to "rejected" while copying this input data object into the task data input.

A third service interface is required to interact with the service for assessing loan risks in task "Assess loan risk". This interface has an in-out operation with two messages: an input message to contain the credit history report and an output message for the risk assessment.

The script for task "Check application form completeness" takes a loan application as input and checks that all required information is present. Depending on the outcome of the check it changes the application status to either "complete" or "incomplete", assigns a fresh application identifier to the application if empty, writes the submission or revision date and time and, if applicable, fills out the status comments section with pointers to incomplete data fields. The script task "Check if home insurance quote is requested" is actually not needed. While in a business-oriented model it is important to explicitly capture each decision with an activity as we have illustrated in Chap. 3, in an executable model this can be directly embedded in the conditions of the outgoing arcs of an (X)OR-split if the outcome of the decision can easily be verified. In fact, our example just requires to check the value of a boolean field in the application, which can be achieved with an XPATH expression directly on the arc labeled "quote requested".

All user tasks of this process are implemented via the worklist handler of the loan provider and offered to participants having the required role (e.g. task "Assess eligibility" is offered to a participant with role loan officer). This implementation depends on the BPMS adopted. The mapping between data objects and data inputs and outputs for these tasks is straightforward. In the case of task "Assess eligibility", at runtime the loan officer will see an electronic form for the loan application (editable), and two more forms for the risk assessment and for the property appraisal (non editable). The officer is required to edit the loan application by entering their identifier, specifying whether or not the applicant is eligible for the loan and adding status comments in case of ineligibility. The other user tasks work similarly.

We have already discussed how to implement the condition of arc "quote requested". The conditions on the other sequence flows can be implemented with an expression that extracts data from a data object in a similar way. The expression for the arc labeled "always" is simply "true" as this arc is taken always. The temporal expression for the two timer events is simply a relative duration (5 days and 2 weeks).

Solution 9.14 This is a hands-on exercise, no solution is provided. Resources related to implementing processes on top of specific BPMSs can be found in the companion website <http://fundamentals-of-bpm.org>.

9.7 Further Exercises

Exercise 9.15 Draw the architecture of a BPMS and identify all its components.

Exercise 9.16 Explain the similarities and differences between production and ad-hoc workflow systems. Include in your explanation a reflection on the type of support they provide on the one hand and their orientation in the spectrum of data versus process on the other.

Exercise 9.17 Classify the following objectives of the various organizations described that use a BPMS and use the categories that were explained in Sect. 9.2.

- A legal company wishes to track all the participants it has involved in its formalized process for the preparation of litigation cases.
- A governmental agency wishes to reduce the penalties it must pay for late payments of invoices.
- A bank wishes to demonstrate to its external auditor that it strictly enforces the principle that each large loan is approved by two separate clerks.

Exercise 9.18 In a 2009 posting on LinkedIn, the director of Walgreens, an online pharmacy, asks what the common pitfalls are when implementing a workflow management system. A consultant at Microsoft answers as follows:

It's really all about people buying in to the system. The general tendency of people is that they don't like change, even if they say they do. Even if their current processes are very inefficient, they know how it works. So when you introduce something that changes their world (with a workflow mgt system), they'll be very apprehensive. Also, the more the system changes how they do their job, the more resistance you'll get. Then it becomes an issue of how you gathered your business requirements. Chances are that due to misunderstandings the requirements will be different from expectations of how things should get done.

Explain whether you think this explanation relates to a technical or an organizational challenge.

Exercise 9.19 Identify the type of the tasks in Fig. 4.15, and represent them using appropriate BPMN markers.

Exercise 9.20 Consider the following business processes. Identify which of these models can be automated and justify your choice.

1. Recruiting a new soldier.
2. Organizing a court hearing.
3. Buying an item at an auction on eBay.

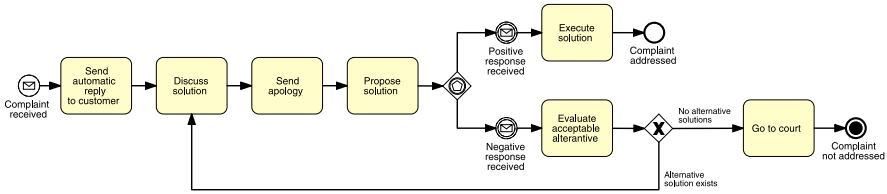


Fig. 9.14 FixComp’s process model for handling complaints

4. Managing inventory assets disposition.
5. Booking a trip on-line.
6. Handling an IT-system maintenance job.
7. Servicing a used car at a mechanic.
8. Making online trade customs declarations.
9. Processing employee payrolls.
10. Synchronizing data servers in a distributed environment.

Exercise 9.21 Figure 9.14 shows the process model that FixComp follows when a client files a complaint. Upon receipt of a new complaint from a client, the process starts by sending an automatic reply to the client, in order to reassure them that Fix-Comp is following up on their request. A complaints representative then takes the complaint for discussion with people in the department the complain refers about. Next, the complaints representative sends a personal letter of apology to the client and propose them a solution. The client can either accept or reject the solution. If the client accepts the solution, the solution is executed by the relevant department. If the client rejects the solution, the client is called on the phone to discuss possible alternatives by the complaints representative. If one of these alternatives is promising, it is discussed with the department and the process continues. If no agreement can be reached, the case is brought to court.

The company wants to automate this process to deal with complaints in a more efficient manner. Your task is to prepare this model for execution.

Acknowledgement This exercise is adapted from a similar exercise developed by Remco Dijkman, Eindhoven University of Technology.

Exercise 9.22 Consider the claims handling process modeled in Fig. 9.15. Implement this business process using a BPMS of your choice.

The process starts when a customer submits a new insurance claim. Each insurance claim goes through a two-stage evaluation process. First of all, the liability of the customer is determined. Secondly, the claim is assessed in order to determine if the insurance company has to cover this liability and to what extent. If the claim is accepted, payment is initiated and the customer is advised of the amount to be paid. All activities except “Initiate Payment” are performed by claims handlers. There are three claims handlers. Activity “Initiate Payment” is performed by a financial officer. There are two financial officers.

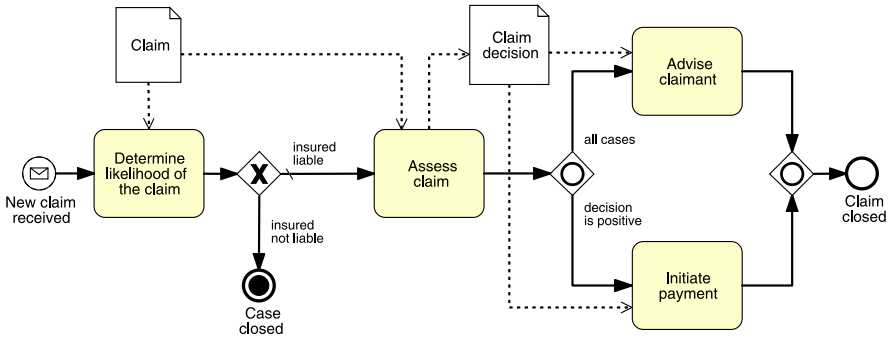


Fig. 9.15 Claims handling process model

As shown in the model, there are two data objects involved in this process: Claim and Claim decision. A claim includes the following data fields:

- Name of claimant
- Policy number (a string with alphanumeric characters)
- Description of the claim
- Amount claimed

A claim decision consists of the following data fields:

- Reference to a claim
- Decision (positive or negative)
- Explanation
- Amount to be reimbursed (greater than zero if the decision is positive)

You may add other data fields into the above objects if you deem it necessary.

Exercise 9.23 Consider the following equipment rental process, which is a variant of the one described in Example 1.1. Implement this business process using a BPMS of your choice.

The rental process starts when a site engineer fills in an equipment rental request containing the following details:

- Name or identifier of the site engineer who initiates the request
- Requested start date and time of the equipment rental
- Expected end date and time of the equipment rental
- Project for which the equipment is to be rented
- Construction site where the equipment will be used
- Description of required equipment
- Expected rental cost per day (optional)
- Preferred supplier (optional)
- Supplier’s equipment reference number (optional)
- Comments to the supplier (optional)

The rental request is taken over by one of the clerks at the company's depot. The clerk consults the catalogs of the equipment suppliers and calls or sends e-mails to the supplier(s) in order to find the most cost-effective available equipment that complies with the request. Once the clerk has found a suitable piece of equipment available for rental, they recommend that it be rented. At this stage, the clerk must add the following data to the equipment rental request:

- Selected supplier
- Reference number of the selected equipment
- Cost per day

Equipment rental requests have to be approved by a works engineer (who also works at the depot). In some cases, the works engineer rejects the equipment rental request, meaning that no equipment will be hired. Of course, before rejecting a request in this way, the works engineer should first discuss their decision with the site engineer and also add an explanatory note to the equipment rental request. In other cases, the works engineer rejects the recommended equipment (but not the entire request) and asks the clerk to find an alternative equipment. Again, in this case the works engineer should communicate their decision to the clerk and add an explanatory note.

Rental requests where the cost per day is below 100 are automatically approved, without going through a works engineer.

Once a request is approved, a purchase order is automatically generated from the data contained in the approved rental request. The purchase order includes:

- Supplier's equipment identification
- Cost per day
- Construction site where the plant is to be delivered
- Delivery date and time
- Pick-up date and time
- Comments to the supplier (optional)

The supplier delivers the equipment to the construction site at the required date. The site engineer inspects the equipment. If everything is in order, they accept the equipment, add the date of delivery to the purchase order and optionally a note to indicate any issues found during the inspection. Similarly, when the equipment is picked up by the supplier at the end of the renting period, another inspection is performed, and the supplier marks the pick-up date in the purchase order (possibly with a pick-up note).

Sometimes, the site engineer asks for an extension of the rental period. In this case, the site engineer writes down the extended pick-up time into the purchase order, and the revised purchase order is automatically resent to the supplier. Prior to doing this change, the site engineer is expected to call the supplier in order to agree on the change of pick-up date.

A few days after the equipment is picked up, the supplier sends an invoice to the clerk by e-mail. The clerk records the following details:

- Supplier’s details
- Invoice number
- Purchase order number
- Equipment reference number
- Delivery date and time
- Pick-up date and time
- Total amount to be paid

Having entered these invoice details, the clerk verifies the invoice details against the purchase order and marks the invoice as accepted or rejected. In case of rejection, the clerk adds an explanatory note (e.g. requesting the supplier to send a revised invoice). Eventually, the supplier may send a revised invoice if needed.

The accepted invoice is forwarded to the finance department for payment, but this part of the process is handled separately and is not part of this exercise.

Exercise 9.24 Define appropriate data types for the sales process shown in Fig. 9.13, and implement it using a BPMS of your choice.

Exercise 9.25 Define appropriate data types for the process shown in Figs. 4.32–4.34, and implement it from the perspective of BestLoans using a BPMS of your choice.

9.8 Further Reading

Van der Aalst and van Hee’s book [95] offers an introduction to workflow management technology as of the early 2000s. The evolution from workflow management systems to BPMSs that took place during the 2000s is discussed at length by Weske [106]. As stated in this chapter, the WfMC reference model was instrumental in shaping the architectures of workflow management systems and later that of BPMSs. Details on the WfMC reference model can be found at <http://wfmc.org/reference-model.html> while Hollingsworth [34] gives a summary of the development and directions of this reference model.

A frequent critique of BPMSs is that they follow a Fordist paradigm, meaning that the BPMS forces process participants to act in a certain direction, i.e. exactly in the way it is captured in a process model. In the context of processes where unanticipated exceptions are common and where there is no predictable way to perform the process, a BPMS often ends up obstructing the work of process participants rather than supporting them. Approaches to support non-standardized or unpredictable processes are described by Reichert et al. [69]. One of those approaches is case handling as discussed in the Box “Types of BPMS”. An introduction to this topic is given by Van der Aalst et al. [96], while a more comprehensive treatment of the subject is provided by Swenson [91].

A discussion on executable BPMN 2.0 is provided in Silver's book [87], as well as in the book by Freund and Rucker [19]. An in-depth coverage of process automation using the YAWL language is given by ter Hofstede et al. [92].

A gentle introduction to XML, XML Schema and XPath can be found in Møller and Schwartzbach's book [56]. Meanwhile, the topic of Web services is covered in-depth by Erl et al. [17]. The latter book also includes a discussion on WSDL 2.0—the default technology for implementing service interfaces in BPMN 2.0.

Chapter 10

Process Intelligence

If you can't measure something, you can't understand it. If you can't understand it, you can't control it. If you can't control it, you can't improve it.
H. James Harrington (1929–)

It is a central idea of BPM that processes are explicitly defined, then executed, and that information about process execution is prepared and analyzed. In this way, this information provides a feedback loop on how the process might be redesigned. Data about the execution of processes can stem from BPMSs in which processes are specified, but also from systems that do not work with an explicit process model, for instance ERP systems or ticketing systems. Data from those systems have to be transformed to meet the requirements of intelligent process execution analysis. This field is typically referred to as process mining.

This chapter deals with intelligently using the data generated from the execution of the process. We refer to such data as event logs, covering what has been done when by whom in relation to which process instance. First, we investigate the structure of event logs, their relationship to process models, and their usefulness for process monitoring and controlling. Afterwards, we discuss three major objectives of intelligent process analysis, namely transparency, performance and conformance. We discuss automatic process discovery as a technical step to achieve transparency of how the process is executed in reality. Then, we study how the analysis of event logs can provide insights into process performance. Finally, we discuss how the conformance between event logs and a process model can be checked.

10.1 Process Execution and Event Logs

In the previous chapter, we studied how a process model can be specified in a way that a BPMS can support its execution. Both process participants and process owners are involved in the execution of business processes. However, their perspective is quite different. Process participants work on tasks, which produce execution data as a side product. We call this data *event logs*. Process owners are particularly interested in drawing conclusions from such event logs. In this section, we discuss which

questions can be answered using event data and how event logs and process models relate to each other.

10.1.1 The Perspective of Participants on Process Execution

When a process is executed on a BPMS or another piece of software, there is a clear separation between coordination and execution of tasks. The system usually takes care of coordinating individual cases informing participants about which tasks they need to work on. Accordingly, participants often see only those tasks that they are directly responsible for, while the system hides the complexity of the overall process. Each participant typically has a personal *worklist* that shows the set of *work items* that still need to be worked on. If an explicit process model exists, each of these work items corresponds to a task in the process model. However, there might exist multiple work items corresponding to a single task if several cases are currently being worked on. For example, at a specific point in time, Chuck as a process participant might see that four work items are in his worklist, all relating to the “Confirm order” task of the order fulfillment process: one work item relates to an order from customer A, one from customer B, and two from customer C.

The structure of a work item is defined in the executable process model or directly implemented in the software. This means that participants see those data fields that have been declared as input for a task. For each work item they are working on, they are supposed to document at least the completion. In this way, the system can keep track of the state of the process at any point in time. Among others, it is easy to record at which point in time somebody has started working on a work item, which input data were available, what output data were created, and who was the participant working on it. For example, when Chuck has confirmed the order of customer B, he enters the result in the system, and the system can decide automatically if next the invoice should be emitted or the order confirmation should be escalated to someone above Chuck. Most BPMSs and also other information systems record such data on what has been done at which point in time. The file in which these data is stored is called a *log file*, and the data in it is called *event logs*. Each time another task is completed, a new entry is added to the log file. That is, once Chuck has entered his data, the system appends a line in the log file stating that Chuck has confirmed an order with a corresponding timestamp.

10.1.2 The Perspective of the Process Owner on Process Execution

Event logs have the potential to reveal important management insights into how a process works in reality. Therefore, the process owner is most interested in analyzing it in a systematic way. In essence, we distinguish three major application scenarios for using event logs: automatic process discovery, performance analysis and conformance checking, all related to questions the process owner might ask.

What is the actual process model? Automatic process discovery is concerned with the question of how a process actually works in reality. In Chap. 5, we mentioned that the event logs can be used as an input to evidence-based process discovery. Automatic process discovery utilizes event logs for the generation of a corresponding process model. In this way, event logs are valuable to find a process model where no model existed before, and to adjust an existing model according to how the process really works.

What is the performance of the process? In Chap. 7, we discussed that process analyses such as flow analysis suffer from the fact that the average cycle time for each task in the process model needs to be estimated. Also, often strong assumptions are required such that the behavior of the process is not influenced by the load. Using event logs, we are able to inspect the actual behavior of a process and compare it with insights from process analysis. Furthermore, historic information about process execution can be leveraged for making operational decisions.

To which extent are the rules of the process model followed? Conformance checking is a collection of techniques that compare a set of event logs with a set of constraints or an existing process model. There are situations when process models are defined, but they are not strictly enforced by a corresponding BPMS. In these situations, conformance checking can be utilized in order to determine how often the process is executed as expected and, if not, at which stages deviations can be found. Here, event logs help to understand either where the model needs to be corrected or where the behavior of the participants working in the process has to be adapted.

By providing answers to these three types of question, we can get insights into the process, which may help to reposition it in the *Devil's Quadrangle*. Specifically, the dimension of time increases in transparency by investigating event logs: the timestamps show when tasks are executed and how long they take. There is also a strong association with cost if the working time of the participants working in the process can be assigned to a particular process instance. Flexibility can be analyzed based on the different paths a process takes. The historic set of actually used paths and their variety gives an indication for this dimension. Finally, also quality issues might be identified from event logs, for instance when inspecting the number of reworks and iterations required for a specific task.

The process owner can use event logs as input to two different control mechanisms: on an aggregated level and on an instance level. The mechanisms are called *process controlling* and *process monitoring*, respectively.

Process Controlling deals with the analysis of historic process execution. The input for process controlling are event logs that relate to a particular period of time, for instance a quarter or a full year. Process controlling provides insights into whether the general objectives of a process have been met and whether the KPIs are in line. Typically, process controlling is an *offline* activity, which involves logs of completed process executions.

Process Monitoring is concerned with the quality of currently running process instances. The input for process monitoring are the event logs of individual process instances or cases. Process monitoring works with objectives and rules that are formulated for these individual cases, and triggers counteractions when these rules are violated, for instance when a customer request is not responded in time. Typically, process monitoring is a continuous *online* activity which involves events of currently running instances.

Both process monitoring and process controlling play an important role in aligning the process with its overall business objectives. In that respect, they are closely related to ideas of quality management and the Plan-do-check-act (PDCA) cycle. PDCA can be regarded as an inspiration for the concept of a business process management lifecycle as discussed in the first chapter of this book. Process monitoring and controlling (check) investigate the data from executing processes (do) such that redesign measures (act) can be taken to realign the execution with the objectives (plan). All these concepts have inspired the idea of a *process cockpit* as a software tool where data on the execution of processes is provided online using charts and appropriate visualization (see Fig. 9.4 for an example). Often, these tools are also called Business Activity Monitoring (BAM) tools or Process Performance Measurement (PPM) tools.

10.1.3 Structure of Event Logs

Process monitoring and controlling strongly rely on event data to be recorded during the execution of processes. *Event logs* contain a set of events. Accordingly, we can understand an event log as a list of event recordings. Figure 10.1 gives an illustration of what data is typically stored in event logs. We can see that a single event has a unique event ID. Furthermore, it refers to one individual case, it has a timestamp, and it shows which resources executed which task. These may be participants (e.g. Chuck and Susi) or software systems (SYS1, SYS2, DMS). For several analysis techniques that we will discuss in this chapter, it is a minimum requirement that the events in the log refer to (i) one case, (ii) one task, and (iii) a point in time. Having these three pieces of information available, we can for instance discover a process model from the logs. In practice, there are often additional pieces of information stored for each event like costs, system being used, or data on the handled business case. These can be used for clustering, correlating or finding causal relationships in the event logs.

The event log of Fig. 10.1 is captured as a list in a tabular format.¹ The problem with event logs is that each vendor and software system defines individual log formats. In order to leverage the adoption of event log analysis tools such as the open

¹For simplicity, we only consider one supplier in this example.

Case ID	Event ID	Timestamp	Activity	Resource
1	Ch-4680555556-1	2012-07-30 11:14	Check stock availability	SYS1
1	Re-597222222-1	2012-07-30 14:20	Retrieve product from warehouse	Rick
1	Co-6319444444-1	2012-07-30 15:10	Confirm order	Chuck
1	Ge-6402777778-1	2012-07-30 15:22	Get shipping address	SYS2
1	Em-6555555556-1	2012-07-30 15:44	Emit invoice	SYS2
1	Re-4180555556-1	2012-08-04 10:02	Receive payment	SYS2
1	Sh-4659722222-1	2012-08-05 11:11	Ship product	Susi
1	Ar-3833333333-1	2012-08-06 09:12	Archive order	DMS
2	Ch-4055555556-2	2012-08-01 09:44	Check stock availability	SYS1
2	Ch-4208333333-2	2012-08-01 10:06	Check materials availability	SYS1
2	Re-4666666667-2	2012-08-01 11:12	Request raw materials	Ringo
2	Ob-3263888889-2	2012-08-03 07:50	Obtain raw materials	Olaf
2	Ma-6131944444-2	2012-08-04 14:43	Manufacture product	SYS1
2	Co-6187615741-2	2012-08-04 14:51	Confirm order	Conny
2	Em-6388888889-2	2012-08-04 15:20	Emit invoice	SYS2
2	Ge-6439814815-2	2012-08-04 15:27	Get shipping address	SYS2
2	Sh-7277777778-2	2012-08-04 17:28	Ship product	Sara
2	Re-3611111111-2	2012-08-07 08:40	Receive payment	SYS2
2	Ar-3680555556-2	2012-08-07 08:50	Archive order	DMS
3	Ch-4208333333-3	2012-08-02 10:06	Check stock availability	SYS1
3	Ch-4243055556-3	2012-08-02 10:11	Check materials availability	SYS1
3	Ma-6694444444-3	2012-08-02 16:04	Manufacture product	SYS1
3	Co-6751157407-3	2012-08-02 16:12	Confirm order	Chuck
3	Em-6895833333-3	2012-08-02 16:33	Emit invoice	SYS2
3	Sh-7013888889-3	2012-08-02 16:50	Get shipping address	SYS2
3	Ge-7069444444-3	2012-08-02 16:58	Ship product	Emil
3	Re-4305555556-3	2012-08-06 10:20	Receive payment	SYS2
3	Ar-4340277778-3	2012-08-06 10:25	Archive order	DMS
4	Ch-3409722222-4	2012-08-04 08:11	Check stock availability	SYS1
4	Re-5000115741-4	2012-08-04 12:00	Retrieve product from warehouse	SYS1
4	Co-5041898148-4	2012-08-04 12:06	Confirm order	Hans
4	Ge-5223148148-4	2012-08-04 12:32	Get shipping address	SYS2
4	Em-4034837963-4	2012-08-08 09:41	Emit invoice	SYS2
4	Re-4180555556-4	2012-08-08 10:02	Receive payment	SYS2
4	Sh-5715277778-4	2012-08-08 13:43	Ship product	Susi
4	Ar-5888888889-4	2012-08-08 14:08	Archive order	DMS

Fig. 10.1 Example of an event log for the order fulfillment process

source tool ProM,² the *IEEE Task Force on Process Mining* promotes the usage of the *eXtensible Event Stream (XES)* format. Several tools work with XES event logs or offer features to convert events logs into this format. The metamodel of XES is illustrated in Fig. 10.2. Each XES file represents a log. It contains multiple traces, and each trace can contain multiple events. All of them can contain different attributes. An attribute has to be either a string, date, int, float, or boolean element as a key-value pair. Attributes have to refer to a global definition. There are two global elements in the XES file, one for defining trace attributes, the other for defining event attributes. Several classifiers can be defined in XES. A classifier maps one of more attributes of an event to a label that is used in the output of the analysis tool. In this way, for instance, events can be associated with activities.

²The software is available at <http://www.promtools.org>.

Fig. 10.2 Metamodel of the XES format

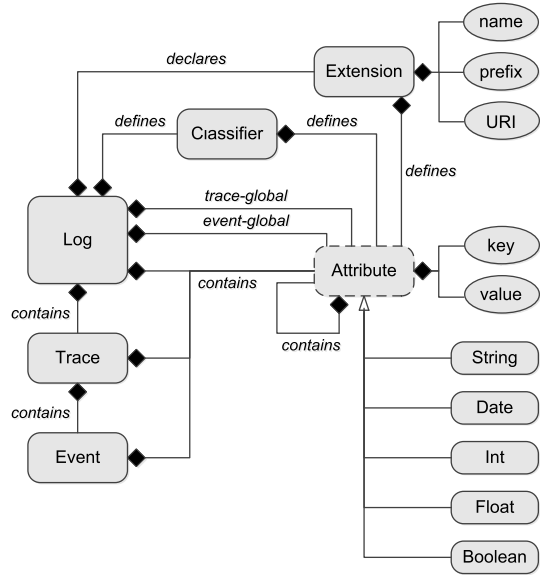


Fig. 10.3 Example of a file in the XES format

```
<log xes.version="1.0" xes.features="arbitrary-depth" xmlns="http://.../xes">
  <extension name="Concept" prefix="concept" uri="http://.../xes/concept.xesext"/>
  <extension name="Time" prefix="time" uri="http://.../xes/time.xesext"/>
  <global scope="trace">
    <string key="concept:name" value=""/>
  </global>
  <global scope="event">
    <string key="concept:name" value=""/>
    <date key="time:timestamp" value="1970-01-01T00:00:00.000+00:00"/>
    <string key="resource" value=""/>
  </global>
  <classifier name="Activity" keys="concept:name"/>
  <float key="log attribute" value="2335.23"/>
  <trace>
    <string key="concept:name" value="1"/>
    <event>
      <string key="concept:name" value="Check stock availability"/>
      <date key="time:timestamp" value="2012-07-30T11:14:00:000+01:00"/>
      <string key="resource" value="Chuck"/>
    </event>
    <event>
      <string key="concept:name" value="Retrieve product from warehouse"/>
      <date key="time:timestamp" value="2012-07-30T14:20:00:000+01:00"/>
      <string key="resource" value="Rick"/>
    </event>
  </trace>
</log>
```

Figure 10.3 shows how parts of the information of the event log example from Fig. 10.1 can be stored in an XES file. From the first “global” element (scope = “trace”), we see that each trace element is expected to have a “concept:name” attribute. For the trace defined below, this attribute has the value 1. Furthermore, there are three different attributes expected for an event (“global” element with scope = “event”): “concept:name”, “time:timestamp”, and “resource”. In the trace defined below, we observe two events. The first one refers to “Check stock availability”,

which was completed by SYS1 on the 30th of July 2012 at 11:14. The second event captures “Retrieve product from warehouse” conducted by Rick at 14:20.

10.1.4 Challenges of Extracting Event Logs

Event data that is available in some tabular format like that visualized in Fig. 10.1 can be readily converted to XES, and then analyzed using appropriate tools. In many cases though, the data which is relevant for event logs is not directly accessible in the required format, but has to be extracted from different sources and to be integrated. Therefore, we can identify five major challenges for log data extraction, potentially requiring considerable effort in a project. These challenges are:

1. **Correlation challenge:** This refers to the problem of identifying the case an event belongs to. Many information systems do not have an explicit notion of process defined. Therefore, we have to investigate which attribute of process-related entities might serve as a case identifier. Often, it is possible to utilize entity identifiers such as order number, invoice number, or shipment number.
2. **Timestamps challenge:** The challenge to work properly with timestamps stems from the fact that many information systems do not consider logging as a primary task. This means that logging is often delayed until the system has idle time or little load. Therefore, we might find sequential events with the same timestamp in the log. This problem is worsened when logs from different information systems potentially operating in different time zones have to be integrated. Partially, such problems can be resolved with domain knowledge, for example when events are known to always occur in a specific order.
3. **Snapshots challenge:** This point refers to the issue of having log data available for a certain period of time. For long running processes, we might not be able to observe all cases of the log with their full end-to-end duration in the considered period of time. It is a good idea to exclude such incomplete cases with missing head or tail. However, one should be aware that such a filtering might also introduce a bias, for instance that only brief cases are considered. Therefore, the time span reflected by the log should be significantly longer than the average duration of a case.
4. **Scoping challenge:** The scoping of the event spectrum is a challenge when the available information system does not directly produce event logs. Information systems such as ERP systems record an extensive amount of process-related events in numerous tables. Event logs have to be generated from the entries in these tables, which requires a detailed understanding of the data semantics. Such system expertise may not readily be available.
5. **Granularity challenge:** Typically, we are interested in conducting event log analysis on a conceptual level for which we have process models defined. In general, the granularity of event log recording is much finer such that each activity of a process model might map to a set of events. For example, an activity like “Retrieve product from warehouse” on the abstraction level of a process

model maps to a series of events like “Work item #1,211 assigned”, “Work item #1,211 started”, “Purchase order form opened”, “Product retrieved” and “Work item #1,211 completed”. Often, fine-granular events may show up repeatedly in the logs while on an abstract level only a single task is executed. Therefore, it is difficult to define a precise mapping between the two levels of abstraction.

Exercise 10.1 Consider the final assembly process of Airbus for their A380 series. The final assembly of this aircraft series is located at the production site in Toulouse, France. Large parts are brought by ship to Bordeaux and brought to Toulouse by waterway and road transport. What is the challenge when log data of the A380 production process has to be integrated?

10.2 Automatic Process Discovery

Automatic process discovery is a specific process mining technique. The goal of automatic process discovery is to construct a process model that captures the behavior of an event log in a representative way. The construction is meant to work automatically and generically, using an algorithm that should make minimal assumptions about properties of the log and the resulting process model. Being representative in this context loosely means that the constructed process model should be able to replay the cases of the event log and forbid behavior not found in the logs. In the following, we first discuss log data assumptions, then we present the α -algorithm as a basic discovery algorithm, and turn to the notion of representativeness in more detail.

10.2.1 Assumptions of the α -Algorithm

The α -algorithm is a basic algorithm for discovering process models from event logs. It is basic as it is less complex than other, more advanced algorithms. Beyond that, it makes certain assumptions about the provided event logs that we will later discuss as partially being problematic. These assumptions are the following:

- **Order of Events:** The events in the log are chronologically ordered. Such a chronological order can be defined based on timestamps.
- **Case Reference:** Each event refers to a single case.
- **Activity Reference:** Each event relates to a specific activity of the process.
- **Activity Completeness:** Each activity of the process is included in the log.
- **Behavioral Completeness:** The log is behaviorally complete in the sense that if an activity a can be directly followed by an activity b , then there is at least one case in the log where we observe ab .

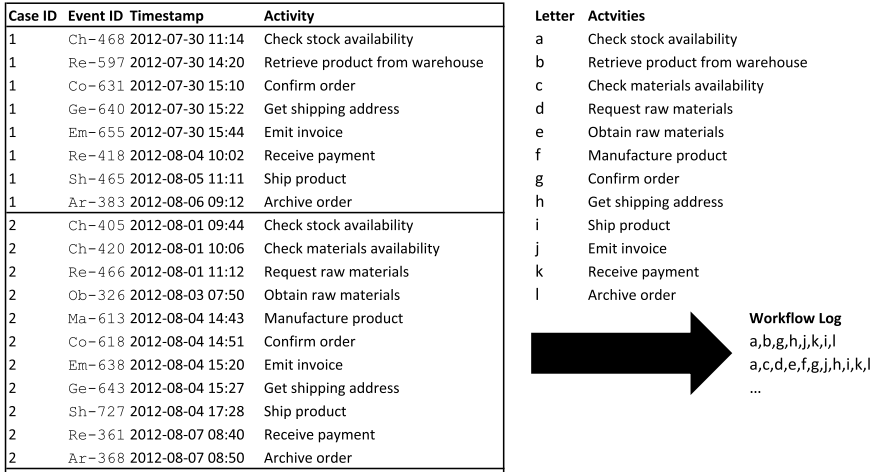


Fig. 10.4 Definition of a workflow log

The first three assumptions refer to the information content of an event in the logs. These assumptions are rather general and non-restrictive. The activity completeness criterion refers to the fact that we can only include those activities in the generated process model that we observe in the logs. The behavioral completeness has the strongest implications. In practice, we can hardly assume that we find the complete set of behavioral options in a log. Advanced techniques try to make weaker assumptions on this point.

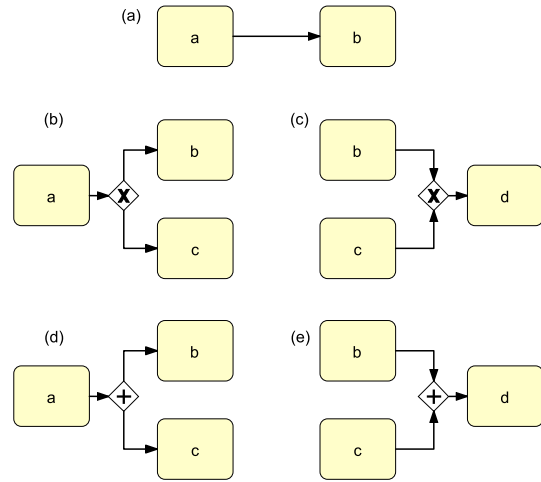
In line with these assumptions, we use a so-called *workflow log* as starting point for using the α -algorithm. Figure 10.4 shows how a workflow log can be constructed from an event log. In the following, we will work with letters as a reference to tasks. A workflow log is a collection of all unique execution sequences observed in the log. The α -algorithm does not distinguish how often a specific execution sequence was observed in a workflow log.

Exercise 10.2 Have a look at Fig. 10.1 and translate it into a workflow log following the same mapping rules as in Fig. 10.4.

10.2.2 The Order Relations of the α -Algorithm

The α -algorithm works in two phases in order to construct a process model. In the first phase, different order relations are extracted from the workflow log L . In the second phase, the process model is constructed in a stepwise fashion from these identified relations. The *order* relations refer to tasks which directly follow one another in the log. It provides the basis for the definition of three more specific relations that refer to *causality*, to potential *parallelism* and to *non-succession*. We refer to this set of relations as the α relations.

Fig. 10.5 Simple control flow patterns



- The basic order relation $a > b$ holds if we can observe in the workflow log L that an task a is directly followed by b .
- The causality relation $a \rightarrow b$ is derived from the basic relation. It holds if we observe in L that $a > b$ and that $b \not> a$.
- The relation of potential parallelism $a \parallel b$ holds if both $a > b$ and $b > a$ is observed in the workflow log L .
- The relation of no direct succession $a \# b$ holds if $a \not> b$ and $b \not> a$.

The reason why exactly these relations are used is shown in Fig. 10.5. There are five characteristic combinations of relations between the tasks in a workflow log that can be mapped to simple control flow patterns.

Pattern (a) depicts a sequence of tasks a and b . If we model them in this way, it should be guaranteed that in a workflow log we will find a followed by b , i.e. $a > b$, but never b followed by a , i.e. $b \not> a$. This means that the causality relation $a \rightarrow b$ should hold.

Pattern (b) also relates to a characteristic combination of relations. The workflow log should show that $a \rightarrow b$ and $a \rightarrow c$ hold, and that b and c would not be mutual successors, i.e. $b \# c$.

Pattern (c) also requires that b and c would not be mutual successors, i.e. $b \# c$, while both $b \rightarrow d$ and $c \rightarrow d$ have to hold.

Pattern (d) demands that $a \rightarrow b$ and $a \rightarrow c$ hold, and that b and c show potential parallelism, i.e. $b \parallel c$.

Pattern (e) refers to $b \rightarrow d$ and $c \rightarrow d$ while b and c show potential parallelism, i.e. $b \parallel c$.

The idea of the α -algorithm is to identify the relations between all pairs of tasks from the workflow log in order to reconstruct a process model based on Patterns (a) to (e). Therefore, before applying the α -algorithm, we first have to

Fig. 10.6 Footprint represented as a matrix of the workflow log
 $L = [(a, b, g, h, j, k, i, l), (a, c, d, e, f, g, j, h, i, k, l)]$

	a	b	c	d	e	f	g	h	i	j	k	l
a	#	→	→	#	#	#	#	#	#	#	#	#
b	←	#	#	#	#	#	→	#	#	#	#	#
c	←	#	#	→	#	#	#	#	#	#	#	#
d	#	#	←	#	→	#	#	#	#	#	#	#
e	#	#	#	←	#	→	#	#	#	#	#	#
f	#	#	#	#	←	#	→	#	#	#	#	#
g	#	←	#	#	#	←	#	→	#	→	#	#
h	#	#	#	#	#	#	←	#	→		#	#
i	#	#	#	#	#	#	#	←	#	#		→
j	#	#	#	#	#	#	←		#	#	→	#
k	#	#	#	#	#	#	#	#		←	#	→
l	#	#	#	#	#	#	#	#	←	#	←	#

extract all basic order relations from the workflow log L . Consider the workflow log depicted in Fig. 10.4 containing the two cases $\langle a, b, g, h, j, k, i, l \rangle$ and $\langle a, c, d, e, f, g, j, h, i, k, l \rangle$. From this workflow log, we can derive the following relations.

- The basic order relations $>$ refer to each pair of tasks that directly follow one another. It can be directly read from the log:

$a > b$	$h > j$	$i > l$	$d > e$	$g > j$	$i > k$
$b > g$	$j > k$	$a > c$	$e > f$	$j > h$	$k > l$
$g > h$	$k > i$	$c > d$	$f > g$	$h > i$	

- The causal relations can be found when we check of each order relation whether it does not holds in the opposite direction. This holds for all pairs except (h, j) and (i, k) , respectively. We get:

$a \rightarrow b$	$j \rightarrow k$	$a \rightarrow c$	$d \rightarrow e$	$f \rightarrow g$	$h \rightarrow i$
$b \rightarrow g$	$i \rightarrow l$	$c \rightarrow d$	$e \rightarrow f$	$g \rightarrow j$	$k \rightarrow l$
$g \rightarrow h$					

- The potential parallelism relation holds true for $h \parallel j$ as well as for $k \parallel i$ (and the corresponding symmetric cases).
- The remaining relation of no direction succession can be found for all pairs that do not belong to \rightarrow and \parallel . It can be easily derived when we write down the relations in a matrix as shown in Fig. 10.6. This matrix is also referred to as the *footprint matrix* of the log.

Exercise 10.3 Have a look at the workflow log you constructed in Exercise 10.2. Define the relations $>$, \rightarrow , \parallel , $\#$ and the footprint matrix of this workflow log.

10.2.3 The α -Algorithm

The α -algorithm is a basic algorithm for automatic process discovery that takes an event log L and its α relations as a starting point. The essential idea of the algorithm is that tasks that directly follow one another in the log should be directly connected in the process model. Furthermore, if there is more than one task that can follow after another, we have to determine whether the set of succeeding tasks is partially exclusive or concurrent. An exception from the principle that tasks should be connected in the process model are those that are potentially parallel, i.e. those pairs included in \parallel . The details of the α -algorithm are defined according to the following eight steps.³

1. Identify the set of all tasks in the log as T_L .
2. Identify the set of all tasks that have been observed as the first task in some case as T_I .
3. Identify the set of all tasks that have been observed as the last task in some case as T_O .
4. Identify the set of all connections to be potentially represented in the process model as a set X_L . Add the following elements to X_L :
 - a. Pattern (a): all pairs for which hold $a \rightarrow b$.
 - b. Pattern (b): all triples for which hold $a \rightarrow (b\#c)$.
 - c. Pattern (c): all triples for which hold $(b\#c) \rightarrow d$.
 Note that triples for which Pattern (d) $a \rightarrow (b \parallel c)$ or Pattern (e) $(b \parallel c) \rightarrow d$ hold are not included in X_L .
5. Construct the set Y_L as a subset of X_L by:
 - a. Eliminating $a \rightarrow b$ and $a \rightarrow c$ if there exists some $a \rightarrow (b\#c)$.
 - b. Eliminating $b \rightarrow c$ and $b \rightarrow d$ if there exists some $(b\#c) \rightarrow d$.
6. Connect start and end events in the following way:
 - a. If there are multiple tasks in the set T_I of first tasks, then draw a start event leading to a split (XOR or AND depending on the relation between the tasks), which connects to every task in T_I . Otherwise, directly connect the start event with the only first task.
 - b. For each task in the set T_O of last tasks, add an end event and draw an arc from the task to the end event.
7. Construct the flow arcs in the following way:
 - a. Pattern (a): For each $a \rightarrow b$ in Y_L , draw an arc a to b .
 - b. Pattern (b): For each $a \rightarrow (b\#c)$ in Y_L , draw an arc from a to an XOR-split, and from there to b and c .
 - c. Pattern (c): For each $(b\#c) \rightarrow d$ in Y_L , draw an arc from b and c to an XOR-join, and from there to d .

³Note that the α -algorithm was originally defined for constructing Petri nets. The version shown here is a simplification based on the five simple control flow patterns of Fig. 10.5 in order to construct BPMN models.

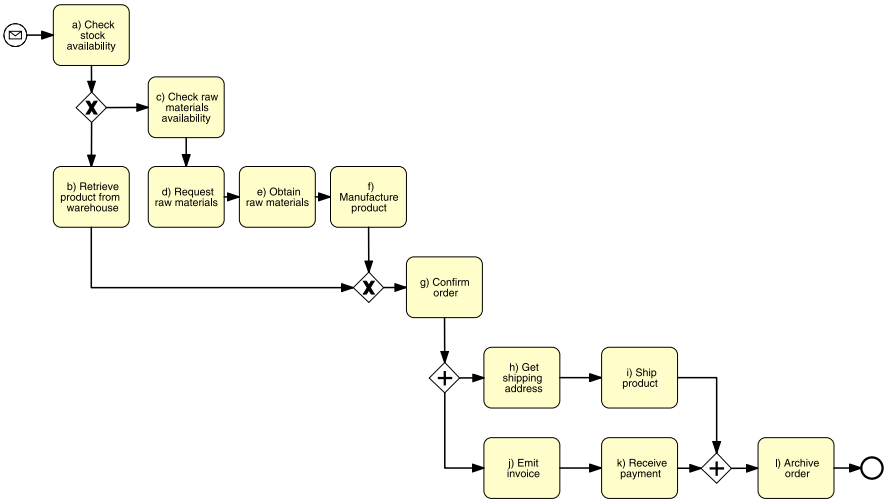


Fig. 10.7 Process model constructed by the α -algorithm from workflow log $L = [\langle a, b, g, h, j, k, i, l \rangle, \langle a, c, d, e, f, g, j, h, i, k, l \rangle]$

d. Pattern (d) and (e): If a task in the so constructed process model has multiple incoming or multiple outgoing arcs, bundle these arcs with an AND-split or AND-join, respectively.

8. Return the newly constructed process model.

Let us step through the α -algorithm with the workflow log $L = [\langle a, b, g, h, j, k, i, l \rangle, \langle a, c, d, e, f, g, j, h, i, k, l \rangle]$ as an example input. The Steps 1–3 identify $T_L = \{a, b, c, d, e, f, g, h, i, j, k, l\}$, $T_I = \{a\}$, and $T_O = \{l\}$. In Step 4a all causal relations are added to X_L including $a \rightarrow b$ and $a \rightarrow c$, etc. In Step 4b, we work row by row through the footprint matrix of Fig. 10.6 and check if there are cells sharing a \rightarrow relation while relating to tasks that are pairwise in $\#$. In the row a , we observe both $a \rightarrow b$ and $a \rightarrow c$. Also, $b\#c$ holds. Therefore, we add $a \rightarrow (b\#c)$ to X_L . We also consider row g and its relation to h and j . However, as $h \parallel j$ holds, we do not add them. In Step 4c, we progress column by column through the footprint matrix and see if there are cells sharing a \rightarrow relation while relating to tasks that are mutually in $\#$. In column g , we observe two \rightarrow relations to b and f . Also, $b\#f$ holds. Accordingly, we add $(b\#f) \rightarrow g$ to X_L . We also check i and k that share the same relation to l . However, as $i \parallel k$ holds, we do not add them. There are no further complex combinations found in Step 4d.

In Step 5, we eliminate the basic elements in X_L that are covered by the complex patterns found in Steps 4b and 4c. Accordingly, we delete $a \rightarrow b$, $a \rightarrow c$, $b \rightarrow g$, and $f \rightarrow g$. In Step 6a we introduce a start event and connect it with a ; in 6b, task l is connected with an end event. In Step 7, arcs and gateways are added for the elements of Y_L . Finally, in Step 8 the process model is returned. The resulting model is shown in Fig. 10.7.

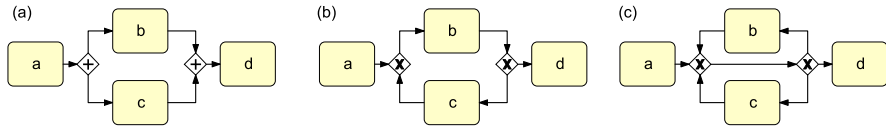


Fig. 10.8 Examples of two short loops, which are problematic for the α -algorithm

Exercise 10.4 Have a look at workflow log and the footprint you constructed in Exercises 10.2 and 10.3. Document progressing through the steps of the α -algorithm with this input and draw the resulting process model.

10.2.4 Robust Process Discovery

Clearly, the α -algorithm has its merits. It can reconstruct a process model from a behaviorally complete event log if that log has been generated from a structured process model. There are also limitations to be noted, though. The α -algorithm is not able to distinguish so-called *short loops* from true parallelism. As can be seen in Fig. 10.8, all three models can produce the workflow logs that yield $b \parallel c$ in the corresponding footprint. Several extensions to the α -algorithm have been proposed. The idea of the $\alpha+$ -algorithm is to define the relation \parallel in a stricter way such that $b \parallel c$ is only included if there is no sequence $bc b$ in the logs. In this way, models (a) and (b) in Fig. 10.8 can be distinguished from each other in their generated logs. Furthermore, we can use preprocessing to extract direct repetition like aa or bb from the logs, note down the corresponding tasks, and continue with a log from which such repeated behavior is mapped to a single execution.

Further problems for the α -algorithm are *incompleteness* and *noise*. The notion of completeness assumed by the α -algorithm relates to the $>$ relation from which the other relations are derived. The number of required different cases increases with the factorial of the number of potentially concurrent tasks. Often, this number is low. But already for 10 concurrent tasks, we require $10! = 3,628,800$ cases. Therefore, it is desirable to use algorithms that can explicitly distinguish likely and unlikely behavior in order to generalize when logs are not complete. This direction also helps in addressing problems with noise. Event logs often include cases with a missing head, a missing tail, or a missing intermediate episode. Furthermore, there may be logging errors with events being swapped or recorded twice. Such unlikely behavior should not distort the process discovery result.

Several approaches have been defined for addressing problems of completeness and noise. In general, they try to balance four essential quality criteria, namely fitness, simplicity, precision, and generalization. *Fitness* refers to the degree of log behavior that a process model is able to replay. It can be defined based on the fraction of event patterns represented by the model or based on the fraction of cases that can be replayed in the model. *Simplicity* means that the resulting process model should be readily understandable. It can be measured using different complexity metrics for process models such as model size or degree of structuredness. *Precision* refers

to the degree of behavior that is allowed by the model, but not observed in the logs. We can easily create a process model that allows the execution of all tasks in any arbitrary order with potential repetition. However, we can hardly learn any specifics of the process from such a model. *Generalization* refers to the ability of a process model to abstract from the behavior that is documented in the logs. A discovery technique that is able to generalize helps to work with incomplete behavior.

Exercise 10.5 Draw a model in BPMN with which you can replay any execution sequence that includes tasks *a, b, c, d, e*. Furthermore, discuss the fitness, simplicity, precision, and generalization of such a model for the trace $\langle a, b, c, d, e \rangle$.

10.3 Performance Analysis

In Sect. 7.1 we introduced the four performance dimensions of time, cost, quality and flexibility. In turn, Chap. 8 demonstrated that these four dimensions form a Devil's Quadrangle when we try to improve a process. These performance measures are usually considered to be generally relevant for any kind of business. Beyond this general set, a company should also identify specific measures. Often, the measures are industry-specific, like profit per square-meter in gastronomy, return rate in online shopping or customer churn in marketing. Any specific measure that a company aims to define should be accurate, cost-effective and easy-to-understand. Here, we focus on the four general performance measures of time, cost, quality and flexibility. The question of this section is how we can spot that a process does not perform well according to one of these dimensions. Event logs provide us with very detailed data that is relevant to performance. We will describe techniques that help us to measure and to visualize potential performance problems that relate to time, cost, quality and flexibility.

10.3.1 Time Measurement

Time and its more specific measures *cycle time* and *waiting time* are important general performance measures. Event logs typically show timestamps such that they can be used for time analysis. Time analysis is concerned with the temporal occurrence and probabilities of different types of event. The event logs of a process generally relate each event to the point in time of its occurrence. Therefore, it is straightforward to plot events on the time axis. Furthermore, we can utilize classifiers to group events on a second axis. A classifier typically refers to one of the attributes of an event, like case ID or participant ID. There are two levels of detail for plotting events in a diagram: *dotted charts* using the timestamp to plot an event, and *timeline chart* showing the duration of a task and its waiting time.

The dotted chart is a simple, yet powerful visualization tool for event logs. Each event is plotted on a two-dimensional canvas with the first axis representing its

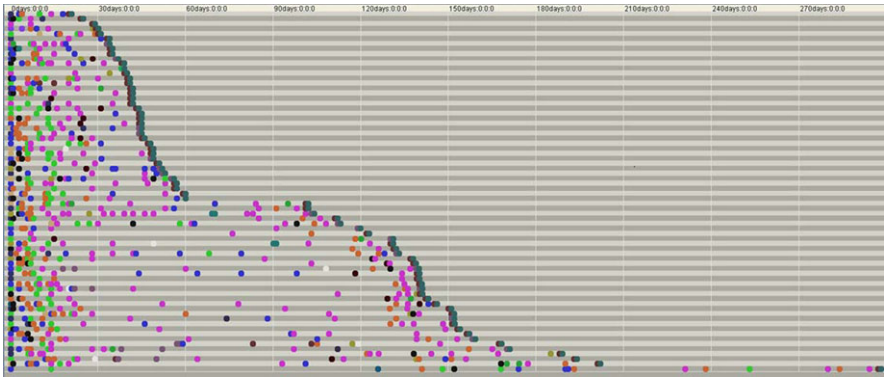


Fig. 10.9 Dotted chart of log data

occurrence in time and the second axis as its association with a classifier like a case ID. There are different options to organize the first axis. Time can be represented either *relative* such that the first event is counted as zero, or *absolute* such that later cases with a later start event are further right in comparison to cases that started earlier. The second axis can be sorted according to different criteria. For instance, cases can be shown according to their historical order or their overall cycle time.

Figure 10.9 shows the dotted chart of the logs of a healthcare process. The events are plotted according to their relative time and sorted according to their overall cycle time. It can be seen that there is a considerable variation in terms of cycle time. Furthermore, the chart suggests that there might be three distinct classes of cases: those that take no more than 60 days, those taking 60 to 210 days, and a small class of cases taking longer than 210 days. Such an explorative inspection can provide a good basis for a more detailed analysis of the factors influencing the cycle time.

Exercise 10.6 Draw a dotted chart of the event log in Fig. 10.1 showing relative cycle time and being sorted by cycle time.

The temporal analysis of event logs can be enhanced with further details if a corresponding process model is available and tasks can be related to a start and to an end event. The idea is to utilize the concept of token replay for identifying the point in time when a task gets activated. For tasks in a sequence, the activation time is the point in time when the previous task completed. For tasks after an AND-join, this is the point in time when all previous tasks have completed. For XOR-joins and splits it is the point when one of the previous tasks completes.

Using this information, we can plot a task not as a dot but as a bar in a timeline chart (see Fig. 10.10). A timeline chart shows a waiting time (from activation until starting) and a processing time (from starting until completion) for each task. The timelines of each task can be visualized in a similar way as a dot in the dotted chart. The timeline chart is more informative than the dotted chart since it shows the duration of the tasks. Furthermore, it is helpful to see the waiting times. Both

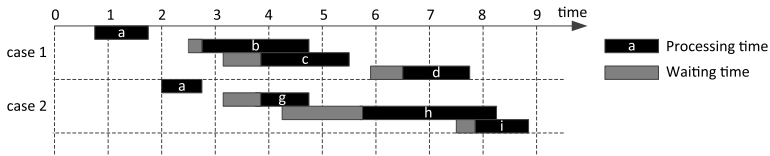


Fig. 10.10 Timeline chart of log data like PM 232

pieces of information are a valuable input for quantitative process analysis. When thousands of cases are available as a log, one can estimate the distribution of waiting time and processing time of each task. In this way, bottlenecks with long waiting times can be spotted and, similarly, tasks that are most promising to focus redesign efforts upon. Furthermore, this information can also be used for predicting execution times of running process instances, which is helpful for process monitoring.

Exercise 10.7 Calculate the waiting times required by a timeline chart for the event log in Fig. 10.1 using the process model of Fig. 10.7.

10.3.2 Cost Measurement

In a process context, cost measurement is mainly related to the problem of assigning indirect costs to cases. After all, direct costs like the purchasing costs of four wheels which are assembled on a car can be easily determined. Indirect labor or machine depreciation are more difficult. In accounting, the concept of *Activity-based Costing* (ABC) was developed to more accurately assign indirect costs to products and services, and to individual customers. The motivation of ABC is that human resources and machinery are often shared by different products and services, and they are used to serve different customers. For instance, the depot of BuildIT rents out expensive machinery such as bulldozers to different construction sites. On the one hand, that involves costs in terms of working hours of the persons working at the depot. On the other hand, machines like bulldozers lose in value over time and require maintenance. The idea of ABC is to use activities for distributing the indirect costs, e.g. associated with the depot.

Example 10.1

According to Fig. 1.6 in Chap. 1, the rental process of BuildIT contains five major activities. We observe the following durations in the event logs for the case of a bulldozer rental requested on 21st August:

- “Submit equipment rental request” is conducted by the site engineer. It takes the engineer 20 minutes to fill in the form on paper. The production of each paper form costs €1. The site engineer gets an annual salary of €60,000.
- The clerk receives the form and selects suitable equipment and checks the availability. Both activities together take 15 minutes. The clerk works at an annual rate of €40,000.
- The works engineer reviews the rental request (annual salary of €50,000). This review takes 10 minutes.

- The clerk is also responsible for sending a confirmation including a purchase Order for renting the equipment, which takes 30 minutes.

In order to work with these numbers we have to make certain assumptions. First, at BuildIT the actual working year contains 250 working days of 8 hours. Furthermore, all employees receive health insurance and pension contributions of 20 % on top of their salary. Finally, people are on average 10 days on a sick leave per year. Taking this into account, we can calculate the labor cost of each participant per minute as $\frac{\text{salary} \times 120 \%}{(250-10) \times 8 \times 60}$. This is for the site engineer €0.63 per minute, for the clerk €0.42 per minute, and for the works engineer €0.52 per minute. Altogether, this case created costs of 20 minutes \times €0.63 per minute + (15 + 30) minutes \times €0.42 per minute + 10 minutes \times €0.52 per minute, which sums up to €36.70.

Now consider a case of a street construction process. We observe the following durations from the event logs for these two activities:

- “Prepare the foundation” is conducted by four worker. It took one week at a specific construction case. The used excavator costs €100,000. It is written off in five years and has annual maintenance costs of €5,000. A worker gets an annual salary of €35,000.
- “Tar the road” is conducted by six workers. It took two days in this case. The tarring machine costs €200,000, is also written off in five years and costs €10,000 annual maintenance.

For this case, we can also take the costs of the machinery into account. The labor cost per day is €175 for one worker. The excavator costs €20,000 + 5,000 per annum for write-off and maintenance, which is €104.17 per working day. For the preparation of the foundation, this amounts to $4 \times 5 \times €175 + 5 \times €104.17 = €4,020.85$. For the tarring of the road, the costs are $6 \times 2 \times €175 + 2 \times €208.34 = €2,516.68$.

Exercise 10.8 Consider that the paper form is printed by the site engineer in the rental process, that the printer costs €300 written off in three years, and that a pile of 500 pieces of paper costs €10. Why could it make sense to include these costs in the calculation, why not?

An inherent problem of ABC is the detail of data that is required for tracking the duration of activities like renting out equipment or approving rental requests. Event data stored in process-aware information systems can help to provide such data. Also, technologies like Radio-frequency identification (RFID), which helps to track physical objects based on little RFID chips attached to it, are promising to overcome the tracking problem of ABC. Some systems only keep track of activity completion. However, ABC also requires the start of activities to be kept. This can be achieved by tracking timestamps of the point in time when a resource starts working on a specific task. What is important to take into account here is the cost of achieving additional transparency. There is a trade-off, and once it becomes overly expensive to gain more transparency, it is good to not include those costs in the calculation.

10.3.3 Quality Measurement

The quality of a product created in a process is often not directly visible from execution logs. However, a good indication is to check whether there are repetitions in the

execution logs, because they typically occur when a task has not been completed successfully. Repetitions can be found in sequences of task. In Chap. 7, we saw that the loop of a rework pattern increases the cycle time of a task to $CT = \frac{T}{1-r}$ in comparison to T being the time to execute the task only once. The question is now how we can determine the repetition probability r from a series of event logs?

The first part of the answer to this question can be given by reformulating the equation such that it is solved for r . By multiplication with $1 - r$ we get $CT - r \times CT = T$. Subtraction of CT yields $-r \times CT = T - CT$, which can be divided by $-CT$ resulting in

$$r = 1 - \frac{T}{CT}.$$

Both CT and T can now be determined using the data of the event logs. Consider the five cases in which we observe the following execution times for task a :

1. 5 minutes, 10 minutes.
2. 10 minutes.
3. 20 minutes, 6 minutes, 10 minutes.
4. 5 minutes.
5. 10 minutes, 10 minutes.

The cycle time CT of a can now be calculated as the average execution time of a per case, while the average execution time T is the average execution time of a per instantiation. Both can be determined based on the sum of all executions of a , which is 86 minutes here. We have five cases, such that $CT = 86/5 = 17.2$. Altogether, a is executed nine times yielding $T = 86/9 = 9.56$. Hence, we get $r = 1 - \frac{86/9}{86/5} = 1 - \frac{5}{9} = 0.44$. Of course, this calculation is only an approximation of the real value for r . It builds on the assumption that the duration of a task always follows the same distribution, no matter if it is the first, the second or another iteration.

Exercise 10.9 Determine the probability of repetition r for the following execution times of task b :

1. 20 minutes, 10 minutes.
2. 30 minutes.
3. 30 minutes, 5 minutes.
4. 20 minutes.
5. 20 minutes, 5 minutes.
6. 25 minutes.

Also explain why the value is misleading for these logs.

In some information systems it might be easier to track repetition based on the assignment of tasks to resources. One example are *ticketing systems* that record which resource is working on a case. Also, the logs of these systems offer insights

into repetition. A typical process supported with ticketing systems is incident resolution. For example, an incident might be a call by a customer who complains that the online banking system does not work. Such an incident is recorded by a dedicated participant, e.g. a call center agent. Then, it is forwarded to a first-level support team who tries to solve the problem. In case the problem turns out to be too specific, it is forwarded to a second-level support team with specialized knowledge in the problem domain. In the best case, the problem is solved and the customer notified. In the undesirable case, the team identifies that the problem is within the competence area of another team. This has the consequence that the problem is rooted back to the first-level team. Similar to the repetition of tasks, we now see that there is a repeated assignment of the problem to the same team. According log information can be used to determine how likely it is that a problem is rooted back.

10.3.4 Flexibility Measurement

Flexibility refers to the degree of variation that a process permits. This flexibility can be discussed in relation to the event logs the process produces. For the company owning the process, this is important information in order to compare the desired level of flexibility with the actual flexibility. It might turn out that the process is more flexible than what is demanded from a business perspective. This is the case when flexibility can be equated with lack of standardization. Often, the performance of processes suffers when too many options are allowed. Consider again the process for renting equipment at BuildIT. The process requires an equipment rental request form to be sent by e-mail. Some engineers, however, prefer to call the depot directly instead of filling the form. Since these engineers are often highly distinguished, it is not easy for the clerk to turn down these calls. As a result, the clerk fills out the form while being on the phone. Not only does this procedure take more time, but also, due to noise at the construction site, it increases the likelihood of errors. In practice, this means that the rental process has two options to submit a request: by form (the standard procedure) and via the phone.

Partially, such flexibility as described above can be directly observed in the event logs. We have seen that the workflow log of a process plays an important role for automatic process discovery. It can also be used to assess the flexibility of the process. The workflow log summarizes the essential behavior of the process. As it defines each execution as a sequence of tasks, it abstracts from the temporal distance between them. In this way, the workflow log contains a set of traces that have a unique sequence. This means that if two executions contain the same sequence of tasks, then they only result in a single trace to be included in the workflow log. This abstraction of process executions in terms of a workflow log makes it a good starting point for discussing flexibility. Accordingly, the number of *distinct executions* DE can be defined based on a workflow log L as

$$DE = |L|.$$

Exercise 10.10 Consider the event logs of the order fulfillment process in Fig. 10.1. What is the number of distinct executions DE ?

The question arises whether the number of distinct executions always gives a good indication for flexibility. At times, the number of distinct executions might give an overly high quantification of flexibility. This might be the case for processes with concurrency. Such processes can be highly structured, but having only a small set of concurrent tasks results in a rich set of potential execution sequences. Consider the process model constructed by the α -algorithm in Fig. 10.7. The tasks i and h are concurrent to j and k . Indeed, there are six options to execute them:

1. i, h, j, k
2. j, k, i, h
3. i, j, k, h
4. j, i, h, k
5. i, j, h, k and
6. j, i, k, h

While the order is not strict, all of them must be executed. Therefore, it might be a good idea to additionally consider whether a task is optional. If T refers to the number of tasks that appear in the workflow log, then the set T_{opt} contains those tasks that are optional. Optionality according to the log means that for a particular task there exists at least one trace in which it does not occur. For the logs of Fig. 10.1, we observe that the tasks b to f depend upon the availability of raw materials. We can quantify the degree of *optionality* OPT as

$$OPT = \frac{T_{\text{opt}}}{T}.$$

We can also approach the question of flexibility from the perspective of the automatically discovered process model. This has some advantages since the degree of optionality does not reveal how many decisions have to be taken. If we consider the process model constructed by the α -algorithm in Fig. 10.7, we see that one decision node is included (XOR-split). It distinguishes the situation whether the product is in stock or not. This observation can be quantified as the number of *discovered decision points* (DDP). For instance, the α -algorithm can be used to this end.

10.4 Conformance Checking

While performance analysis is concerned with measuring performance indicators, conformance checking is concerned with the question whether or not the execution of a process follows predefined rules or constraints. This question can be answered by inspecting the event logs. If a particular constraint does not hold, we speak of a *violation*. Conformance checking is concerned with identifying these violations and making statements about the extent of them altogether. This information provides important insights for the process owner. Apparently, when rules are not followed,

one should take corrective action. Violations might relate to one of the three process perspectives of control flow, data and resources in isolation or in combination. In the following, we describe how they can be specified.

10.4.1 Conformance of Control Flow

Conformance of control flow can be studied in two ways, either based on *explicit constraints* or based on a *normative process model*. Both can be related to each other, as many constraints can be automatically derived from a process model. First we will look into the approach assuming explicit constraints, after which we will discuss the use of a normative process model.

We focus on three types of control-flow related constraint: mandatoriness, exclusiveness, and ordering. All these three constraint types define how two activities are allowed to be related in a process. A company might want to define that certain activities are *mandatory* because they are required from a control perspective. Consider again the case of BuildIT and the equipment rental process. A works engineer is supposed to review the rental request. This activity serves as a control for securing that only appropriate equipment is rented. This measure might help to keep the rental costs in line. Such a control activity is a likely candidate for being a mandatory activity. On the level of the logs, mandatory activity violations can be found by searching for traces in which they are left out. *Exclusiveness* might be specified for activities that relate to a decision. If, for instance, a rental request is rejected, BuildIT wants to make sure that there is no way to overwrite this decision. On the level of the log, this means that it shall never be possible that a rejection of a request is followed by an approval. This exclusiveness can be checked by searching for traces in which both exclusive activities appear. The *order* of activities might be of specific importance to balance the performance of the process. In the equipment rental process, first the availability of the requested equipment is checked before the request is reviewed. This order constraint helps to relieve the workload of the works engineer who is supposed to review the request. Obviously, it is a waste of effort to review requests that cannot be met because the equipment is not available. Violations to order constraints can be found by searching for traces with the activities appearing in the wrong order.

Exercise 10.11 Consider the event logs of the order fulfillment process in Fig. 10.1. Which activities can be considered mandatory and exclusive to one another?

Conformance of control flow can also be checked by comparing the behavior observed in the logs with a normative process model. The idea here is to replay each trace in the workflow log and to record at each step whether an activity was allowed to be executed according to the rules of the model. Typically, this requires the replay of the logs in the process model. Based on the transition rules of BPMN, we can replay the case $\langle a, b, g, i, j, k, l \rangle$ on the model shown in Fig. 10.11. In the initial

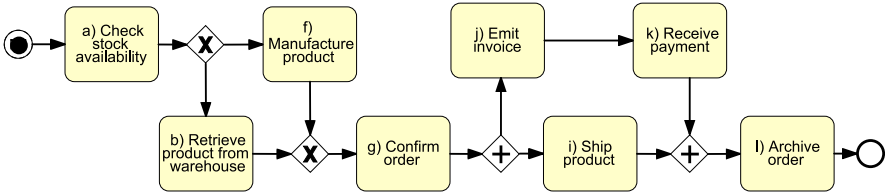


Fig. 10.11 BPMN model with token on start event for replaying the case $\langle a, b, g, i, j, k, l \rangle$

state, the process has a token on the start event. Once the case is started, this token moves to the output arc of the start event. This arc leads to activity *a* (“Check stock availability”), which means that the token enables this activity to be executed. The token moves to this activity while it is executed, and it is forwarded to the output arc once the activity is completed. Now, the XOR-split is activated, which means a decision has to be taken to either continue with *b* (“Retrieve product from warehouse”) or with *f* (“Manufacture product”). For the considered case, we continue with *b*. In the same way, we can continue. After *g* (“Confirm order”) has been completed, we arrive at an AND-split. An AND-split consumes a token from its input arc and creates one token on each of its output arcs. As a result, we have two tokens afterwards: one enabling *i* (“Ship product”) and one enabling *j* (“Emit invoice”). In this state we can proceed either with *i* or *j*. These activities are concurrent. In order to replay the case, we first execute *i* and *j* afterwards. Once *i* and later *k* is completed, the AND-join is allowed to proceed. One token on each of its input arcs is required for that. Both these tokens are consumed and a single token is created on its output arc. As a result, *l* (“Archive order”) can be executed.

Based on the concept of token replay, we can also assess the conformance of a trace to a process model. Consider the case $\langle a, b, i, j, k, l \rangle$ in which the confirmation of the order has been omitted. The idea is to compare at each step the number of tokens that are required for replaying an activity with tokens that are actually available. At each step, we might observe two situations of conformance and two of non-conformance. In case of conformance, we can count the following four facts for tokens:

- *p*: the number of tokens that are correctly produced
- *c*: the number of tokens that are correctly consumed
- *m*: the number of tokens that are missing for executing the next activity in the log, and
- *r*: the number of tokens remaining unconsumed after executing the final activity in the log

Figure 10.12 first shows the state before replaying *b* of the case $\langle a, b, i, j, k, l \rangle$. After replaying *b*, there is a token available to execute *g*, but it is not consumed. Instead, there is a missing token for firing the AND-split, which would activate *i* and *j*. The figure also shows the number of correctly produced and consumed tokens for each step until the completion. Using the four measures *c*, *p*, *m* and *r*, we can calculate the fitness measure as an indicator of conformance. It is defined

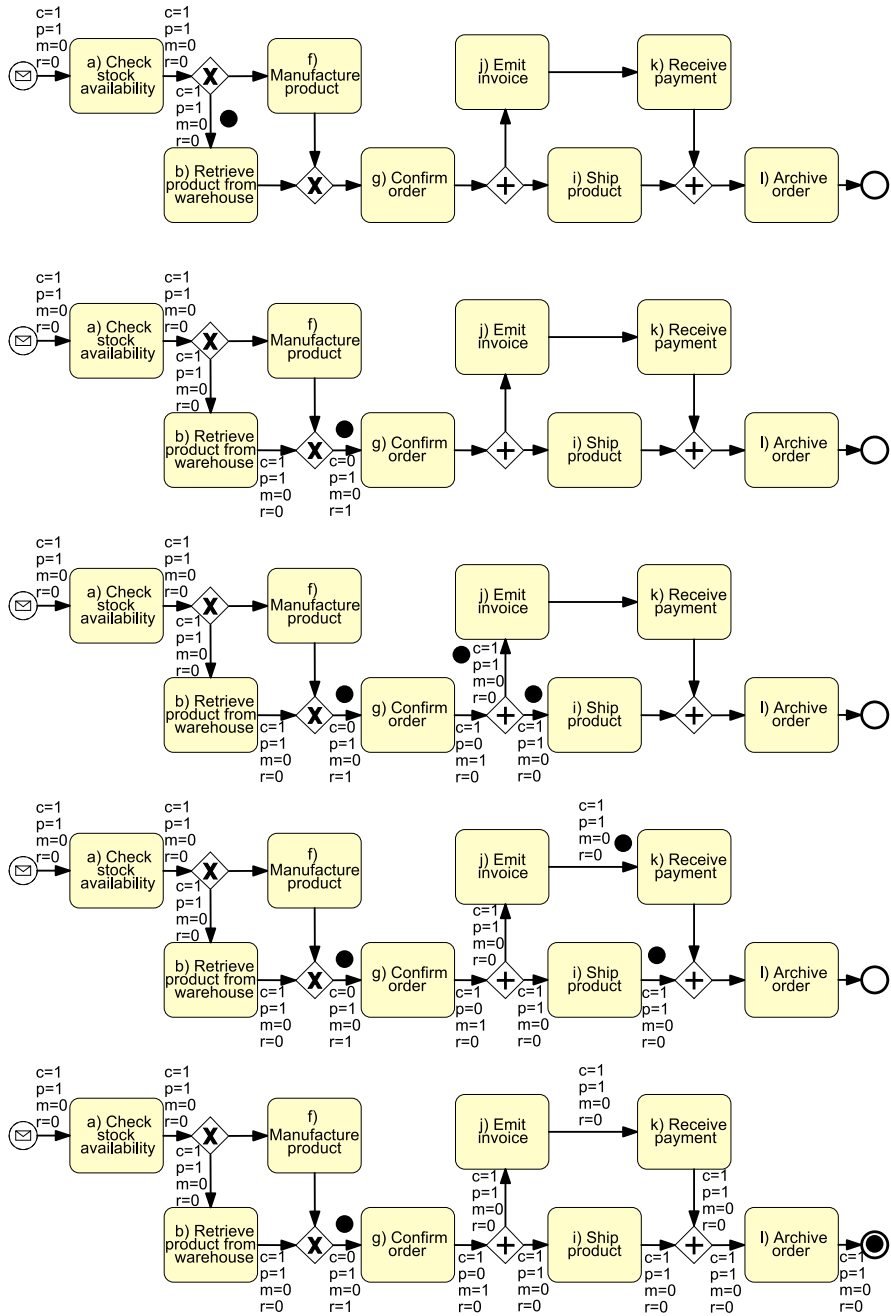


Fig. 10.12 Replaying the non-conforming case (a, b, i, j, k, l)

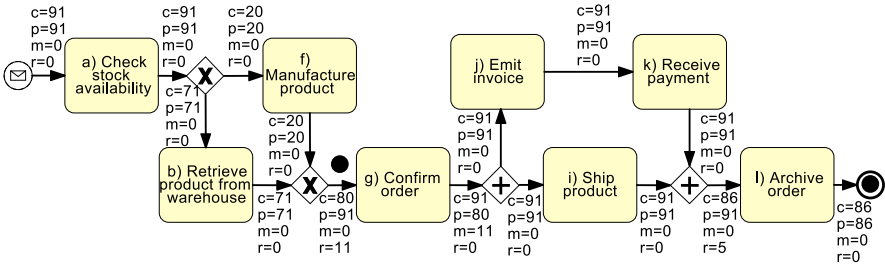


Fig. 10.13 Result of replaying cases in the process model

based on the fraction of missing tokens to correctly consumed tokens ($\frac{m}{c}$) and the fraction of remaining tokens to produced tokens ($\frac{r}{p}$) as

$$fitness = \frac{1}{2} \left(1 - \frac{m}{c} \right) + \frac{1}{2} \left(1 - \frac{r}{p} \right).$$

For our values $c = 12$, $p = 12$, $m = 1$ and $r = 1$, we get a fitness of $\frac{1}{2} \left(1 - \frac{1}{12} \right) + \frac{1}{2} \left(1 - \frac{1}{12} \right) = 0.8333$. When we consider a set of cases, not just a single case, we can easily calculate the fitness in the same way. The idea is to simply continue counting c , p , m and r by replaying the next case in the process model. Once we have replayed all cases, we get the resulting overall fitness of this set of cases.

The results of such a conformance analysis can be interpreted in two ways. First, we can use the overall fitness measure to get an idea of how accurately the process model matches the actually observed behavior as reflected by the set of cases. While the fitness as an overall measure is useful to this end, it does not help us to analyze the deviations in more detail. Therefore, and secondly, we can inspect at which arcs of the process model we have encountered missing or remaining tokens. Figure 10.13 shows the corresponding numbers from replaying several cases in the process model. It can be seen that apparently most deviations relate to activity g and some to activity l . This information can be utilized to interview process participants why g has been omitted for some cases. The goal of such an inquiry would be to find whether this omission is desirable. The question is whether the process participants have found a more efficient way to handle the confirmation, or whether an omission has to be considered bad practice which should be further discouraged. For the case of the archival (activity l), the omission is likely to be bad practice.

10.4.2 Conformance of Data and Resources

Beyond constraints on the control flow, there are often additional constraints on data and resources. Consider the situation that an expensive caterpillar is requested for a construction site of BuildIT. Many companies have extra rules for high expenses

or risky commitments. In the case of BuildIT, the rent of the caterpillar requires the additional signature of a manager. Similar cases can be found in banks where a loan of more than €1,000,000 might require the additional sign-off from a director. There might also be constraints that providing a loan to a black-listed applicant is simply not allowed at all. Such constraints can be checked by searching for cases in the log where a certain data field takes a forbidden value.

The example of the additionally required signature already points to a combination of data and resource constraints. If a certain amount is exceeded, then there is a dedicated resource who is required to approve. However, there are also constraints that purely refer to the resource perspective. Participants usually require *permissions* to execute certain activities. For instance, the person signing off the caterpillar rent has to be a manager, and it is not allowed that this person is a construction worker. Typically, permissions are bundled for specific *roles*. For example, this can be done by explicitly listing what a manager and a construction worker are allowed to do. Violations of permissions can be checked by searching for each activity conducted by a participant whether or not an appropriate role or permission existed. Specific control rules which require two different persons to approve a business transaction are called *separation of duties* constraints. These rules do not necessarily involve supervisors. For example, it might be OK with a particular bank if a loan of €100,000 is signed by two bank clerks, while a €1,000,000 loan requires the signature of a clerk and a director. Such separation of duties constraints can be checked by searching for cases in the log where the same participant or two participants with the same role have approved the same transaction.

Exercise 10.12 Consider the intake process after the medical file redesign, which is shown in Fig. 8.3. Which separation of duties constraints would you define for this process?

10.5 Recap

In this chapter we discussed the topic of process intelligence. The starting point for process intelligence is the availability of event logs and, in general, data on the execution of processes. These data provides the basis for process monitoring and process controlling. Such event logs have to refer to a specific case, a task and a point in time in order to facilitate process-related analysis. In many cases, it is a challenge to extract data in such a way that it can readily support process intelligence.

An important area of process intelligence is automatic process discovery. Corresponding techniques like the α -algorithm yield process models describing how a process runs in reality according to the log data. The α -algorithm is a good example for how automatic process discovery works. However, it has some limitations in terms of robustness, which are addressed by more recent process mining algorithms.

Event logs also support the assessment of the performance of a process. We discussed the four dimensions of the Devil’s Quadrangle. The time dimension of a process can be visualized as a dotted chart and further inspected using a timeline chart. Then, we demonstrated that the calculation of costs for a process heavily depends upon the level of detail with which execution times of tasks are captured. We turned to quality and related it to the number of repetitions that are encountered in a log. Finally, we discussed ways of quantifying the flexibility of a process based on the number of distinct executions, optionality and discovered decision points.

The area of conformance checking can be related to various types of constraint. There are different types of constraint that can be checked for control flow including mandatoriness, exclusiveness and ordering of activities. A notion of fitness can be calculated based on replaying the logs in a normative process model. Finally, we discussed important types of constraint for the data and the resource perspectives. Often, these are intertwined. They typically relate to additional requirements for approval beyond a certain monetary threshold or to enforce separation of duties in order to control risks of a business transaction.

10.6 Solutions to Exercises

Solution 10.1 It might be the case that parts of the production process are administered using different information systems. Accordingly, the event logs have to be integrated. In terms of correlation, this means that case identifiers from different systems have to be matched. If the timestamps of the events are recorded in different time zones, they have to be harmonized. Shipment might not be arranged by Airbus. Therefore, it might be the case that different snapshots of transportation might not be accessible. Also, information systems might not be directly producing case-related event logs. The data would then have to be extracted from the databases of these systems. Finally, the events might be recorded at diverging levels of granularity, ranging from a detailed record of production steps to coarse-granular records of transportation stages.

Solution 10.2 The workflow log considers the order of events for each case. We use letters a to l for referring to the tasks. The workflow log L containing three elements as the first and the fourth execution sequence are the same. Therefore, we get $L = [\langle a, b, g, h, j, k, i, l \rangle, \langle a, c, d, e, f, g, j, h, i, k, l \rangle, \langle a, c, f, g, j, h, i, k, l \rangle]$.

Solution 10.3 The following basic relations can be observed:

$a > b$	$h > j$	$i > l$	$d > e$	$g > j$	$i > k$
$b > g$	$j > k$	$a > c$	$e > f$	$j > h$	$k > l$
$g > h$	$k > i$	$c > d$	$f > g$	$h > i$	$c > f$

The matrix shows the resulting relations.

	a	b	c	d	e	f	g	h	i	j	k	l
a	#	→	→	#	#	#	#	#	#	#	#	#
b	←	#	#	#	#	#	→	#	#	#	#	#
c	←	#	#	→	#	→	#	#	#	#	#	#
d	#	#	←	#	→	#	#	#	#	#	#	#
e	#	#	#	←	#	→	#	#	#	#	#	#
f	#	#	←	#	←	#	→	#	#	#	#	#
g	#	←	#	#	#	←	#	→	#	→	#	#
h	#	#	#	#	#	#	←	#	→		#	#
i	#	#	#	#	#	#	#	←	#	#		→
j	#	#	#	#	#	#	←		#	#	→	#
k	#	#	#	#	#	#	#	#		←	#	→
l	#	#	#	#	#	#	#	#	←	#	←	#

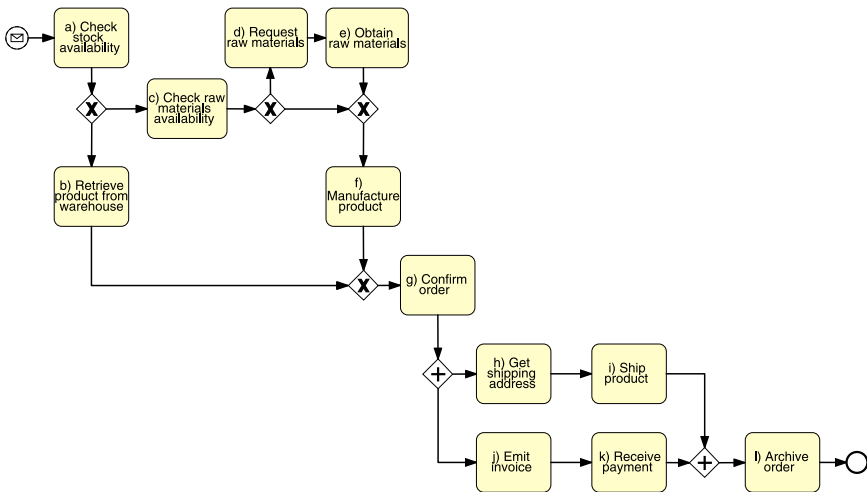


Fig. 10.14 Process model constructed by the α -algorithm

Solution 10.4 The α -algorithm stepwise yields the following sets:

1. $T_L = \{a, b, c, d, e, f, g, h, i, j, k, l\}$.
2. $T_I = \{a\}$.
3. $T_O = \{l\}$.
4. $X_L = Z_1 \cup Z_2$ with $Z_1 = \{a \rightarrow b, a \rightarrow c, b \rightarrow g, c \rightarrow d, c \rightarrow f, d \rightarrow e, e \rightarrow f, f \rightarrow g, g \rightarrow h, g \rightarrow j, h \rightarrow i, i \rightarrow l, j \rightarrow k, k \rightarrow l\}$ and $Z_2 = \{a \rightarrow (b\#c), c \rightarrow (d\#f), (c\#e) \rightarrow f, (b\#f) \rightarrow g\}$
5. $Y_L = Z_2 \cup \{d \rightarrow e, g \rightarrow h, g \rightarrow j, h \rightarrow i, j \rightarrow k, i \rightarrow l, k \rightarrow l\}$.
6. Add start event pointing to a and end event following after l .
7. Construct process model based on Y_L with XOR- and AND-gateways.
8. Return process model, see Fig. 10.14.

Solution 10.5 Include a, b, c, d, e in an XOR-block and put this XOR-block in an XOR-loop. This model shows a perfect fitness to the execution sequence as it is able to replay any occurrence of a to e at any stage. The model is not completely simple as it includes four gateways for characterizing the behavior of five activities. Also, the model is not very precise in this sense that it does not introduce specific constraints on the behavior: any occurrence of a to e is allowed at any stage. Generalization refers to the ability of the model to abstract. As the model does not constrain the behavior, there is hardly any general insight that we can learn from it.

Solution 10.6 First, we have to determine the cycle time. Case 1 takes roughly two hours less than seven days, case 2 one hour less than six days, case 3 takes four days and 20 minutes, and case 4 takes four days and six hours. Therefore, the relative order must be case 3, case 4, case 2 and case 1. Each event has to be visualized according to the time elapsed since the first event of the case.

Solution 10.7 The timeline diagram follows the same principle as the dotted chart. Additionally, it shows waiting times as soon as an activity becomes enabled in the process model.

Solution 10.8 In general, it is a good idea to include all expenses in the cost calculation as it provides transparency on what is spent where. In this case, however, it might not be a good idea since the cost per paper is relatively low with €0.02. It has to be kept in mind though that the decision whether to record certain costs should not be governed by the unit piece, but by the relative impact on cost calculation. A cost of paper of €0.02 is small as compared to overall process costs of several thousand Euros. However, it can be relatively high if the overall process produces €0.30 costs per instance and millions of instances are processed per day. Think of the situation of processing bank transactions using paper forms versus using online banking. The high amount of transactions per day might result in considerable costs per year.

Solution 10.9 The formula yields $r = 1 - \frac{T}{CT} = 1 - \frac{18.3}{27.5} = 0.333$. Apparently, this result is misleading for the figures because every second task required rework. However, the rework time was in general much smaller as the first try duration. This has the effect that T appears to be relatively small in comparison to CT , which results in a low value for r .

Solution 10.10 We have to consider four different cases. However, as the first and the fourth case show the same sequence of tasks, there are three distinct executions.

Solution 10.11 There are several activities that can be observed in all cases. These mandatory activities are a, g, h, i, j, k, l . The other activities b, c, d, e, f are not mandatory. Exclusiveness relationships hold between b and c, d, e, f pairwise.

Solution 10.12 The intake process demands meeting two intakers. The persons conducting “Meet with first intaker” and “Meet with second intaker” should be mutually

exclusive. Therefore, we can identify a separation of duty constraint that the participant conducting “Meet with first intaker” should be another one as the participant conducting “Meet with second intaker”.

10.7 Further Exercises

Exercise 10.13 Download the process mining tool ProM, write down the workflow log L in XES, and run the α -algorithm.

Exercise 10.14 Apply the α -algorithm and document the different steps for the workflow log L containing four cases $L = [\langle a, b, c, d \rangle, \langle a, b, d, c \rangle, \langle a, b, d, c, e \rangle, \langle a, c, d, e \rangle]$.

Exercise 10.15 Apply the α -algorithm and document the different steps for the workflow log L containing four cases $L = [\langle a, b, c, d, e, f \rangle, \langle a, b, d, c, e \rangle, \langle a, b, d, c, e, f \rangle, \langle a, b, c, d \rangle]$.

Exercise 10.16 Consider there is an AND-split in a process model with two subsequent activities a and b . Which kind of pattern do these activities show on the timeline chart?

Exercise 10.17 Consider the workflow log, which you created for Exercise 10.2 from the cases shown in Fig. 10.1. Replay these logs in the process model of Fig. 10.13. Note down consumed, produced, missing and remaining tokens for each arc, and calculate the fitness measure. Assume that activities not shown in the process model do not change the distribution of tokens in the replay.

10.8 Further Reading

Process intelligence relates to various streams of current research. The workflow resource patterns give an extensive account of strategies that can be used for effectively assigning work items to participants at the time of execution. Process mining has been a very influential area of research in the recent years, offering various tools and techniques for process intelligence. An excellent overview of this research area is provided in the book by van der Aalst on process mining [94]. Among others, it summarizes work on leveraging shortcomings of the α -algorithm, namely the heuristic miner, the fuzzy miner, and the genetic miner. The idea of the *heuristic miner* is to generate so-called heuristic nets in which the arc probabilities are included. Using appropriate threshold values, the user can eliminate unlikely behavior. The *fuzzy miner* takes correlations between events and behavior into account. In this way, tasks can be clustered and inspected at different levels of abstraction. The *genetic miner* generates a population of potential models and stepwise manipulates

these models using change operations and quality metrics in order to improve the approximation of the log. This process is repeated until a model with a predefined quality level is found.

Various guiding principles and research challenges for process mining have been formulated by the IEEE Task Force on Process Mining in the Process mining manifesto [37]. There are dedicated tools that help with putting process mining into practice (see <http://www.processmining.org>). Process mining tools usually cover automatic process discovery and techniques for conformance checking.

A good summary of current research on process performance analysis is provided by the BPM Handbook [102, 103] and, most notably, its chapters on process performance management and on business process analytics [33, 111]. A good overview on process controlling and its relationship to process automation is the book by zur Muehlen [110]. More generally, the book by Harmon provides a good perspective on how to define process measures within a process governance framework [32]. A good book on foundations on performance from an operations management point of view is the book by Anupindi et al. [4]. Various metrics for event logs are discussed in the Ph.D. thesis of Günther [25].

Conformance checking is also nicely covered in the book by van der Aalst on process mining [94]. Research with a focus on generating constraints from process models for conformance checking is conducted by Weidlich et al. [104, 105]. Case studies on process mining and conformance checking are, among others, reported in [13, 22, 97]. Separation of duties is traditionally discussed as a topic within the research area of role-based access control (RBAC). A summary of essential RBAC concepts and their relationship to process-centered concepts is provided in [90].

References

1. I. Adan, J. Resing, *Queueing Theory* (Eindhoven University of Technology, Eindhoven, 2002)
2. T. Allweyer, *BPMN 2.0. Books on Demands* (2010)
3. A. Alves, A. Arkin, S. Askary, C. Barreto, B. Bloch, F. Curbera, M. Ford, Y. Goland, A. Guizar, N. Kartha, C.K. Liu, R. Khalaf, D. Koenig, M. Marin, V. Mehta, S. Thatte, D. van der Rijn, P. Yendluri, A. Yiu, *Web services business process execution language version 2.0. Committee specification*, 31 January 2007, OASIS (2007)
4. R. Anupindi, S. Chopra, S.D. Deshmukh, J.A. van Mieghem, E. Zemel, *Managing Business Process Flows* (Prentice Hall, New York, 1999)
5. J. Becker, M. Rosemann, C. von Uthmann, *Guidelines of business process modeling*, in *Business Process Management. Models, Techniques, and Empirical Studies*, ed. by W.M.P. van der Aalst, J. Desel, A. Oberweis (Springer, Berlin, 2000), pp. 30–49
6. J. Becker, M. Kugeler, M. Rosemann, *Process Management: a Guide for the Design of Business Processes* (Springer, Berlin, 2011)
7. B.L. Berg, H. Lune, *Qualitative Research Methods for the Social Sciences* (Pearson, Boston, 2004)
8. S. Conger, *Six sigma and business process management*, in *Handbook of Business Process Management*, vol. 1, ed. by J. vom Brocke, M. Rosemann (Springer, Berlin, 2010), pp. 127–148
9. T. Curran, G. Keller, *SAP R/3 Business Blueprint: Understanding the Business Process Reference Model* (Prentice Hall, Upper Saddle River, 1997)
10. T.H. Davenport, *Process Innovation: Reengineering Work Through Information Technology* (Harvard Business School Press, Boston, 1993)
11. T.H. Davenport, J.E. Short, *The new industrial engineering: information technology and business process redesign*. *Sloan Manag. Rev.* **31**(4), 11–27 (1990)
12. R.B. Davis, E. Brabander, *ARIS Design Platform: Getting Started with BPM* (Springer, Berlin, 2007)
13. J. De Weerd, M. De Backer, J. Vanthienen, B. Baesens, *A multi-dimensional quality assessment of state-of-the-art process discovery algorithms using real-life event logs*. *Inf. Syst.* **37**(7), 654–676 (2012)
14. R. Dijkman, I. Vanderfeesten, H.A. Reijers, *The road to a business process architecture: an overview of approaches and their use*. BETA Working Paper Series, WP 350. Eindhoven University of Technology, Eindhoven (2011)
15. D.J. Elzinga, T. Horak, C.Y. Lee, C. Bruner, *Business process management: survey and methodology*. *IEEE Trans. Eng. Manag.* **42**(2), 119–128 (1995)

16. G. Engels, A. Förster, R. Heckel, S. Thöne, Process modeling using UML, in *Process-Aware Information Systems*, ed. by M. Dumas, W.M.P. van der Aalst, A.H.M. ter Hofstede (Wiley, New York, 2005). Chapter 5
17. T. Erl, A. Karmarkar, P. Walmsley, H. Haas, *Web Service Contract Design and Versioning for SOA* (Prentice Hall, New York, 2008)
18. P.J.M. Frederiks, T.P. van der Weide, Information modeling: the process and the required competencies of its participants. *Data Knowl. Eng.* **58**(1), 4–20 (2006)
19. J. Freund, B. Rücker, *Real-Life BPMN: Using BPMN 2.0 to Analyze, Improve, and Automate Processes in Your Company*. CreateSpace Independent Publishing Platform (2012)
20. V. Frolov, D. Megel, W. Bandara, Y. Sun, L. Ma, Building an ontology and process architecture for engineering asset management, in *Proceedings of the 4th World Congress on Engineering Asset Management (WCEAM)*, Athens, Greece, September 2009 (Springer, Berlin, 2009)
21. D. Fürstenau, *Process Performance Measurement* (GRIN, Santa Cruz, 2008)
22. S. Goedertier, J. De Weerd, D. Martens, J. Vanthienen, B. Baesens, Process discovery in event logs: an application in the telecom industry. *Appl. Soft Comput.* **11**(2), 1697–1710 (2011)
23. E.M. Goldratt, *The Goal: A Process of Ongoing Improvement* (North River Press, Great Barrington, 1992)
24. A. Greasley, A redesign of a road traffic accident reporting system using business process simulation. *Bus. Process. Manag. J.* **10**(6), 635–644 (2004)
25. C. Günther, Process mining in flexible environments. PhD thesis, Technische Universiteit Eindhoven (2009)
26. M. Hammer, Reengineering work: don't automate, obliterate. *Harv. Bus. Rev.* **68**(4), 104–112 (1990)
27. M. Hammer, *Beyond Reengineering: How the Process-Centered Organization Is Changing Our Work and Our Lives* (HarperBusiness, New York, 1997)
28. M. Hammer, What is business process management, in *Handbook of Business Process Management*, vol. 1, ed. by M. Rosemann, J. vom Brocke (Springer, Berlin, 2010)
29. M. Hammer, J. Champy, *Reengineering the Corporation: A Manifesto for Business Revolution* (HarperCollins, New York, 1993)
30. P. Hanafizadeh, M. Moosakhani, J. Bakhshi, Selecting the best strategic practices for business process redesign. *Bus. Process. Manag. J.* **15**(4), 609–627 (2009)
31. P. Harmon, *Business Process Change: A Guide for Business Managers and BPM and Six Sigma Professionals*, 2nd edn. (Morgan Kaufmann, San Mateo, 2007)
32. P. Harmon, Analyzing activities. BPTrends Newsletter **1**(4), April 2003. <http://www.bptrends.com>
33. D. Heckl, J. Moormann, Process performance management, in *Handbook on Business Process Management 2* (Springer, Berlin, 2010), pp. 115–135
34. D. Hollingsworth, in *The Workflow Reference Model: 10 Years on the Workflow Handbook 2004* (Workflow Management Coalition, Cohasset, 2004), pp. 295–312
35. D. Hollingsworth, The Workflow Reference Model. TC00-1003 Issue 1.1, Workflow Management Coalition, 24 November 1994
36. R. Hull, Artifact-centric business process models: brief survey of research results and challenges, in *On the Move to Meaningful Internet Systems: OTM 2008* (2008), pp. 1152–1163
37. IEEE TaskForce on Process Mining. Process mining manifesto. http://www.win.tue.nl/ieeetfpm/doku.php?id=shared:process_mining_manifesto. Accessed: November 2012
38. F. Johannsen, S. Leist, G. Zellner, Implementing six sigma for improving business processes at an automotive bank, in *Handbook of Business Process Management*, vol. 1, ed. by J. vom Brocke, M. Rosemann (Springer, Berlin, 2010), pp. 361–382
39. R.S. Kaplan, D.P. Norton, The balanced scorecard—measures that drive performance. *Harv. Bus. Rev.* **70**(1), 71–79 (1992)
40. W.D. Kelton, R.P. Sadowski, N.B. Swets, *Simulation with Arena*, 5th edn. (McGraw-Hill, New York, 2009)

41. W.J. Kettinger, J.T.C. Teng, S. Guha, Business process change: a study of methodologies, techniques, and tools. *Manag. Inf. Syst. Q.* **21**, 55–80 (1997)
42. J. Krogstie, G. Sindre, H.D. Jørgensen, Process models representing knowledge for action: a revised quality framework. *Eur. J. Inf. Syst.* **15**(1), 91–102 (2006)
43. M. Laguna, J. Marklund, *Business Process Modeling, Simulation and Design* (Prentice Hall, New York, 2004)
44. S. Limam Mansar, H.A. Reijers, F. Ounnar, Development of a decision-making strategy to improve the efficiency of bpr. *Expert Syst. Appl.* **36**(2), 3248–3262 (2009)
45. O.I. Lindland, G. Sindre, A. Sølvyberg, Understanding quality in conceptual modeling. *IEEE Softw.* **11**(2), 42–49 (1994)
46. R.L. Manganelli, M.M. Klein, *The Reengineering Handbook: A Step-by-Step Guide to Business Transformation* (Amacom, New York, 1994)
47. S.L. Mansar, H.A. Reijers, Best practices in business process redesign: validation of a redesign framework. *Comput. Ind.* **56**(5), 457–471 (2005)
48. S.L. Mansar, H.A. Reijers, Best practices in business process redesign: use and impact. *Bus. Process. Manag. J.* **13**(2), 193–213 (2007)
49. K. McCormack, The development of a measure of business process orientation and its relationship to organizational performance, April 1999. Online tutorial available at <http://www.prosci.com/mccormack.htm>
50. J. Mendling, *Metrics for Process Models: Empirical Foundations of Verification, Error Prediction, and Guidelines for Correctness*. Lecture Notes in Business Information Processing, vol. 6 (Springer, Berlin, 2008)
51. J. Mendling, Empirical studies in process model verification, in *Transactions on Petri Nets and Other Models of Concurrency II, Special Issue on Concurrency in Process-Aware Information Systems*, vol. 5460 (2009), pp. 208–224
52. J. Mendling, H.A. Reijers, J. Recker, Activity labeling in process modeling: empirical insights and recommendations. *Inf. Syst.* **35**(4), 467–482 (2010)
53. J. Mendling, H.A. Reijers, W.M.P. van der Aalst, Seven process modeling guidelines (7PMG). *Inf. Softw. Technol.* **52**(2), 127–136 (2010)
54. J. Mendling, L. Sánchez-González, F. García, M. La Rosa, Thresholds for error probability measures of business process models. *J. Syst. Softw.* **85**(5), 1188–1197 (2012)
55. J. Mendling, M. Strembeck, J. Recker, Factors of process model comprehension—findings from a series of experiments. *Decis. Support Syst.* **53**(1), 195–206 (2012)
56. A. Möller, M.I. Schwartzbach, *An Introduction to XML and Web Technologies* (Addison-Wesley, Reading, 2006)
57. D. Müller, M. Reichert, J. Herbst, A new paradigm for the enactment and dynamic adaptation of data-driven process structures, in *Advanced Information Systems Engineering* (Springer, Berlin, 2008), pp. 48–63
58. M. Netjes, R.S. Mans, H.A. Reijers, W.M.P. Aalst, R.J.B. Vanwersch, Bpr best practices for the healthcare domain, in *Business Process Management Workshops* (Springer, Berlin, 2010), pp. 605–616
59. A. Nigam, N.S. Caswell, Business artifacts: an approach to operational specification. *IBM Syst. J.* **42**(3), 428–445 (2003)
60. Object Management Group, Unified Modeling Language (UML) Version 2.4.1 (2011)
61. Object Management Group, Business Process Model and Notation (BPMN), Version 2.0, January 2011. <http://www.omg.org/spec/BPMN/2.0>
62. P. O’Neill, A.S. Sohal, Business process reengineering a review of recent literature. *Technovation* **19**(9), 571–581 (1999)
63. A. Ottensooser, A. Fekete, H.A. Reijers, J. Mendling, C. Menictas, Making sense of business process descriptions: an experimental comparison of graphical and textual notations. *J. Syst. Softw.* **85**(3), 596–606 (2012)
64. M.A. Ould, *Business Process Management: A Rigorous Approach*. British Informatics Society Ltd (2005)

65. C. Ouyang, W.M.P. van der Aalst, M. Dumas, A.H.M. ter Hofstede, M. La Rosa, Semantic web services: theory, tools and applications, in *Service-Oriented Processes: An Introduction to BPEL*, ed. by J. Cardoso (IGI Publishing, Hershey, 2007), pp. 155–188
66. M. Petre, Why looking isn't always seeing: readership skills and graphical programming. *Commun. ACM* **38**(6), 33–44 (1995)
67. M.E. Porter, *Competitive Advantage: Creating and Sustaining Superior Performance* (Free Press, New York, 1985)
68. G. Redding, M. Dumas, A.H.M. ter Hofstede, A. Iordachescu, A flexible, object-centric approach for business process modelling. *Serv. Oriented Comput. Appl.* **4**(3), 191–201 (2010)
69. M. Reichert, B. Weber, *Enabling Flexibility in Process-Aware Information Systems* (Springer, Berlin, 2012)
70. H.A. Reijers, Product-based design of business processes applied within the financial services. *J. Res. Pract. Inf. Technol.* **34**(2), 110–122 (2002)
71. H.A. Reijers, *Design and Control of Workflow Processes: Business Process Management for the Service Industry* (Springer, Berlin, 2003)
72. H.A. Reijers, S. Liman Mansar, Best practices in business process redesign: an overview and qualitative evaluation of successful redesign heuristics. *Omega* **33**(4), 283–306 (2005)
73. H.A. Reijers, J. Mendling, A study into the factors that influence the understandability of business process models. *IEEE Trans. Syst. Man Cybern., Part A, Syst. Hum.* **41**(3), 449–462 (2011)
74. H.A. Reijers, T. Freytag, J. Mendling, A. Eckleder, Syntax highlighting in business process models. *Decis. Support Syst.* **51**(3), 339–349 (2011)
75. H.A. Reijers, J. Mendling, R.M. Dijkman, Human and automatic modularizations of process models to enhance their comprehension. *Inf. Syst.* **36**(5), 881–897 (2011)
76. S.-H. Rhee, N.W. Cho, H. Bae, Increasing the efficiency of business processes using a theory of constraints. *Inf. Syst. Front.* **12**(4), 443–455 (2010)
77. J.J. Rooney, L.N. vanden Heuvel, Root cause analysis for beginners. *Qual. Prog.* **37**(7), 45–53 (2004)
78. M. Rosemann, Potential pitfalls of process modeling: Part A. *Bus. Process. Manag. J.* **12**(2), 249–254 (2006)
79. M. Rosemann, Potential pitfalls of process modeling: Part B. *Bus. Process. Manag. J.* **12**(3), 377–384 (2006)
80. G.A. Rummier, A.P. Brache, *Improving Performance: Managing the White Space on the Organizational Chart* (Jossey-Bass, San Francisco, 1990)
81. G.A. Rummier, A.J. Ramias, A framework for defining and designing the structure of work, in *Handbook of Business Process Management*, vol. 1, ed. by M. Rosemann, J. vom Brocke (Springer, Berlin, 2010)
82. A.-W. Scheer, *ARIS Business Process Modelling* (Springer, New York, 2000)
83. K.D. Schenk, N.P. Vitalari, K.S. Davis, Differences between novice and expert systems analysts: what do we know and what do we do? *J. Manag. Inf. Syst.* **15**(1), 9–50 (1998)
84. A. Schwegmann, M. Laske, As-is modeling and process analysis, in *Process Management: A Guide for the Design of Business Processes* (Springer, Berlin, 2011), pp. 133–156
85. I. Seidman, *Interviewing as Qualitative Research: A Guide for Researchers in Education and the Social Sciences* (Teachers College Press, New York, 2006)
86. A. Sharp, P. McDermott, *Workflow Modeling: Tools for Process Improvement and Application Development*, 2nd edn. (Artech House, Norwood, 2008)
87. B. Silver, *BPMN Method and Style*, 2nd edn. (Cody-Cassidy Press, Aptos, 2011)
88. J. Stirna, A. Persson, K. Sandkuhl, Participative enterprise modeling: experiences and recommendations, in *Proceedings of the 19th Conference on Advanced Information Systems Engineering (CAiSE 2007)*, Trondheim, Norway, ed. by J. Krogstie, A.L. Opdahl, G. Sindre. *Lecture Notes in Computer Science*, vol. 4495 (Springer, Berlin, 2007), pp. 546–560
89. D. Straker, *A Toolkit for Quality Improvement and Problem Solving* (Prentice Hall, New York, 1995)

90. M. Strembeck, J. Mendling, Modeling process-related rbac models with extended uml activity models. *Inf. Softw. Technol.* **53**(5), 456–483 (2011)
91. K.D. Swenson, *Mastering the Unpredictable: How Adaptive Case Management Will Revolutionize the Way That Knowledge Workers Get Things Done* (Meghan-Kiffer Press, Tampa, 2010)
92. A.H.M. ter Hofstede, W.M.P. van der Aalst, M. Adams, N. Russell (eds.), *Modern Business Process Automation: YAWL and Its Support Environment* (Springer, Berlin, 2010)
93. W.M.P. van der Aalst, Verification of workflow nets, in *Application and Theory of Petri Nets 1997*, ed. by P. Azéma, G. Balbo. Lecture Notes in Computer Science, vol. 1248 (Springer, Berlin, 1997), pp. 407–426
94. W.M.P. van der Aalst, *Process Mining—Discovery, Conformance and Enhancement of Business Processes* (Springer, Berlin, 2011)
95. W.M.P. van der Aalst, K. van Hee, *Workflow Management: Models, Methods, and Systems* (MIT Press, Cambridge, 2004)
96. W.M.P. van der Aalst, M. Weske, D. Grünbauer, Case handling: a new paradigm for business process support. *Data Knowl. Eng.* **53**(2), 129–162 (2005)
97. W.M.P. van der Aalst, H.A. Reijers, A.J.M.M. Weijters, B.F. van Dongen, A.K. Alves de Medeiros, M. Song, H.M.W.(E.) Verbeek, Business process mining: an industrial application. *Inf. Syst.* **32**(5), 713–732 (2007)
98. W.M.P. van der Aalst, M. Rosemann, M. Dumas, Deadline-based escalation in process-aware information systems. *Decis. Support Syst.* **43**(2), 492–511 (2007)
99. W.M.P. van der Aalst, J. Nakatumba, A. Rozinat, N. Russell, Business process simulation, in *Handbook of Business Process Management*, vol. 1, ed. by J. vom Brocke, M. Rosemann (Springer, Berlin, 2010), pp. 313–338
100. I. Vanderfeesten, H.A. Reijers, W.M.P. van der Aalst, Product-based workflow support. *Inf. Sci.* **36**(2), 517–535 (2011)
101. L. Verner, The challenge of process discovery. *BPM Trends*, May 2004
102. J. vom Brocke, M. Rosemann, *Handbook on Business Process Management 1: Introduction, Methods, and Information Systems*, vol. 1 (Springer, Berlin, 2010)
103. J. vom Brocke, M. Rosemann, *Handbook on Business Process Management 2: Strategic Alignment, Governance, People and Culture*, vol. 2 (Springer, Berlin, 2010)
104. M. Weidlich, A. Polyvyanyy, N. Desai, J. Mendling, M. Weske, Process compliance analysis based on behavioural profiles. *Inf. Syst.* **36**(7), 1009–1025 (2011)
105. M. Weidlich, H. Ziekow, J. Mendling, O. Günther, M. Weske, N. Desai, Event-based monitoring of process execution violations, in *Business Process Management—9th International Conference, BPM 2011, Proceedings*, Clermont-Ferrand, France, August 30–September 2, 2011, ed. by S. Rinderle-Ma, F. Toumani, K. Wolf. Lecture Notes in Computer Science, vol. 6896 (Springer, Berlin, 2011), pp. 182–198
106. M. Weske, *Business Process Management: Concepts, Languages, Architectures*, 2nd edn. (Springer, Berlin, 2012)
107. S.A. White, D. Miers, *BPMN Modeling and Reference Guide* (Future Strategies Inc., Lighthouse Point, 2008)
108. Workflow Patterns Initiative, Workflow Patterns home page (2001). <http://www.workflowpatterns.com>
109. Y. Yang, M. Dumas, L. García-Bañuelos, A. Polyvyanyy, L. Zhang, Generalized aggregate quality of service computation for composite services. *J. Syst. Softw.* **85**(8), 1818–1830 (2012)
110. M. zur Muehlen, *Workflow-Based Process Controlling. Foundation, Design, and Implementation of Workflow-Driven Process Information Systems*. Advances in Information Systems and Management Science, vol. 6 (Logos, Berlin, 2004)
111. M. zur Muehlen, R. Shapiro, Business process analytics, in *Handbook on Business Process Management 2* (2010), pp. 137–157
112. M. zur Muehlen, D.E. Wisnosky, J. Kindrick, Primitives: design guidelines and architecture for BPMN models, in *ACIS 2010 Proceedings* (2010)

Index

Symbols

7PMG, 176, 184

α -Algorithm, 360, 364, 362, 366, 373, 378, 382

A

Active branch, 74

Activity, 3, 64, 67, 155, 156, 158, 162, 163,
172, 174, 230, 337, 360, 369, 374, 377

call, 101

compensation, 123

concurrent, 67

decision, 68, 103, 111, 112, 124

loop, 103, 104, 147, 334

multi-instance, 104, 105, 124

mutually exclusive, 67

timeout, 118

Activity label, 64, 159, 177, 182

Activity timeout, 118

Activity-based costing, 369

Activity-based modeling, 183

Ad-hoc, *see* Sub-process

Ad-hoc workflow system, *see* Business
Process Management System

Adaptive case management system, *see*
Business Process Management System

Addressing ministerial correspondence
process, 103

Administration tool, 302, 304

Aggregation, 324, 326

AND gateway, *see* Gateway

Application, *see* Product-Based Design

Application system design, 66

Approval, 2, 158, 162, 163, 166, 174, 180,
188, 190, 374, 379

Arc, *see* Flow

Army recruitment process, 107

Arrival rate, 225, 230, 242

Artifact-centric modeling, 183

Artifact, 94, 169, 183

As-is, 16, 155, 172

Assessing credit risks process, 93

Association, 82, 169

ATAMO procedure, 260

Automated business process, 298

Automated task, 171, 237, *see* Task

Automatic process discovery, *see* Process
discovery

Automation boundary, 316, 317

B

Balanced scorecard, 217, 250

Behavioral anomaly, 112

Behavioral correctness, 163, 172, 181

Bill-of-material, 278, 279

Billing process, 111, 148

Bizagi BPM Suite, 308, 330, 337

Black box, *see* Pool

Block-structured, 95, *see* Process model

BOM, *see* Bill-of-material

Bonita Open Solution, 330, 337

BPM Centre of Excellence, 25

BPM Group, 25

BPM lifecycle, 14, 63

BPMN, *see* Business Process Model and
Notation

BPMN 1.2, 96

BPMN format, 327

BPMS, *see* Business Process Management
System

Branching probability, 220, 237

Business fault, 114

Business function, 43

Business party, 83, 85, 113, 169, 171

- Business process behavior heuristic, *see* Redesign heuristic
 - Business Process Management System, 297–302, 304, 309–317, 319, 320, 322, 324, 326, 328, 330–334, 336, 337, 351, 353–355
 - ad-hoc, 307
 - adapted BPMN, 337
 - architecture, 299, 302–304, 306
 - case handling, 308
 - document management system, 308
 - engine, 299, 301, 320, 324, 327, 328, 332, 334, 336, 341
 - groupware, 307
 - non BPMN, 337
 - orchestration, 308
 - production, 308
 - property, 327
 - pure BPMN, 337
 - user, 322
 - worklist handler, 317, 319, 320, 341, 344, 346
 - Business Process Model and Notation, 63, 64, 79, 83, 86, 88, 97, 101, 104, 116, 125, 152, 322, 327, 328, 330–333, 337, 352
 - Business process modeling language, 78, 157, 158, 163
 - component, 78
 - Business process model, *see* Process model
 - Business process operation heuristic, *see* Redesign heuristic
 - Business rule, 124, 300
 - Business value-adding step, 187
 - Business-oriented, *see* Process model
- C**
- Camunda Fox, 330, 337
 - Capability Maturity Model Integrated framework, 40
 - Case, 158, 161, 163, 172, 178, 302, 354, 356, 359, 360, 363, 366, 367, 369, 371, 374, 377, 379
 - Case data, 313
 - Case handling, *see* Business Process Management System
 - Case type, 43
 - Causal factor chart, 210
 - Causal factor, 191
 - Cause-and-effect diagram, *see* Diagram
 - Certification, 171, 174, 179
 - Check-in, *see* Work item
 - Check-out, *see* Work item
 - Choreography, *see* Diagram, 171
 - Claim handling process, 67
 - Clean slate approach, 261
 - CMMI framework, *see* Capability Maturity Model Integrated framework
 - Code snippet, 327
 - Collaboration, *see* Diagram
 - Collection, 105
 - Colored Petri Net, 251
 - Comalatech Ad-hoc Workflows, 307
 - Communication, 86, 112
 - Compensation, 122
 - association, 123
 - handler, 122, 169
 - Completeness, 163, 173, 359, 360, 366
 - Component, *see* Business process modeling language
 - Concurrency, 160, 169, 364, 366, 373, 375
 - Consumer-produce relationship, 55
 - Contributing factor, 191
 - Control step, 188
 - Control-flow perspective, *see* Perspective
 - Conversation, *see* Diagram
 - Coordination, 309
 - Core process, 61
 - Correctness, *see* Product-Based Design
 - Cost, 171, 213, 227, 355, 356, 367, 369, 370, 374, 379
 - CPN Tools, 251
 - Critical path, 221, 251
 - CRM, *see* Customer Relationship Management
 - Customer, 4, 161, 162, 164, 167, 177, 184, 230, 354, 356, 367, 369, 372
 - Customers heuristic, *see* Redesign heuristic
 - Customer Relationship Management, 298, 334
 - Customer-centered, *see* Organization
 - Cycle, 103
 - unstructured, 104
 - Cycle time, 15, 214, 219, 225, 239, 302, 355, 367, 368, 371
 - Cycle time efficiency, 224
- D**
- Damage compensation process, 93
 - Data, 353, 356, 367, 370, 377
 - Data collection, 105
 - Data association, 79, 330
 - Data input, 300, 330
 - Data object, 79, 81, 94, 162, 169, 173, 324
 - electronic, 323, 324, 327, 328
 - physical, 322
 - state, 81
 - Data output, 300, 330, 332
 - Data perspective, *see* Perspective
 - Data store, 81
 - electronic, 322, 323

- physical, 322
 - Data type, 328, 330
 - complex, 328, 329, 331
 - simple, 328
 - Data-flow diagram, 17, *see* Diagram
 - Database Management System, 298, 379
 - DBMS, *see* Database Management System
 - DCOR, *see* Design Chain Operations
 - Reference model
 - DDP, *see* Discovered decision points
 - DE, *see* Distinct execution
 - Deadlock, 75, 112–114, 116, 172, 181
 - Decision activity, *see* Activity
 - Decision point, 4, 158, 169, 373
 - Default flow, *see* Flow
 - Deployment, 300
 - Design Chain Operations Reference model, 218
 - Designation phase, 34
 - Devil's Quadrangle, 253, 258, 355, 367, 379
 - Diagram
 - cause-and-effect, 191
 - choreography, 125–128, 150, 151
 - collaboration, 86, 125, 128, 150, 151, 171
 - conversation, 153, 166
 - data-flow, 17
 - fishbone, 194
 - Ishikawa, 194
 - tree, 196
 - why–why, 191
 - Disbursing home loans process, 100
 - Discovered decision points, 373, 379
 - Discovery, *see* Process discovery
 - Distinct execution, 372, 373, 379
 - DMS, *see* Document Management System
 - Document analysis, 161, 166
 - Document Management System, 302, 308
 - Domain expert, 156, 157, 159, 161, 162, 164, 166, 171, 178
- E**
- Electronic form, 297, 300, 301, 305, 319
 - Enhanced Telecom Operations Map, 218
 - Enterprise Application Integration, 314
 - Enterprise Resource Planning, 297, 298, 317, 327
 - EPCs, *see* Event-driven Process Chains
 - Equipment, 82, 369, 372, 374
 - ERP, *see* Enterprise Resource Planning
 - Error, 327, 328
 - Error code, 330
 - Error rate, 176, 184, 219
 - eTOM, *see* Enhanced Telecom Operations Map
 - Evaluation phase, 34
 - Event, 3, 64, 67, 164, 167, 176, 327, 330, 333
 - boundary, 116, 118, 119, 169
 - catching, 109, 148
 - compensate, 122
 - conditional, 124
 - end, 64, 115, 176, 181, 364
 - error, 116, 117, 124, 328
 - external, 117–119
 - intermediate, 108, 168, 179
 - interrupting, 116
 - link, 141, 152
 - message, 88, 108, 109, 112, 119, 171, 327, 332
 - multiple, 152
 - non-interrupting, 119, 120
 - signal, 120, 171, 327, 328, 332
 - start, 64, 176, 364, 375
 - terminate, 115, 116
 - throwing, 110, 148
 - timer, 110, 112
 - typed, 109
 - untyped, 109
 - Event label, 65
 - Event log, 162, 166, 174, 180, 183, 302, 353, 354, 356, 360, 361, 364, 366, 367, 369, 372, 379, 383
 - Event variable, 327
 - Event-based gateway, *see* Gateway
 - Event-driven Process Chains, 17, 95
 - Evidence-based discovery, *see* Process discovery
 - Exception, 114, 164, 169, 171, 173, 364
 - complex, 119
 - external, 117, 123
 - internal, 116, 117, 123
 - unsolicited, 117
 - Exception flow, *see* Flow
 - Executable, *see* Process model
 - Execution engine, *see* Business Process Management System
 - Execution property, 316, 323, 327
 - BPMS-specific, 334
 - Explicit constraint, 374
 - Exponential distribution, 230
 - Expression, 333
 - boolean, 333
 - sequence flow, 327, 333
 - temporal, 334
 - XPATH, 333, 334, 336, 352
 - Expression language, 330
 - EXtensible Event Stream, 357
 - External environment heuristic, *see* Redesign heuristic

External quality, *see* Quality

External service, 301

F

Facilitator, 164

Factor, 191, 192

Fishbone diagram, 194, *see* Diagram

Fitness, 366, 375, 377

Five factor model, 159

Flexibility, 214, 355, 367, 372, 379

Flow, 167, 327

 branching, 67

 default, 69, 124, 334

 exception, 116, 169

 merging, 67

 message, 85, 86, 107, 114, 169, 176, 323

 sequence, 64, 168, 169, 334

Flowchart, 16

Footprint matrix, 363, 365

Fraction analysis, *see* Product-Based Design

Functional organization, 9

Functional perspective, *see* Perspective

G

Gateway, 67–69, 70, 72, 74, 75, 76, 78, 94, 95, 164, 181, 219, 365, *see also* Split and join

 AND, 69, 104, 116, 126, 169, 177, 380

 data-based, 112, 324

 event-based, 111, 114

 exclusive, 67

 inclusive, 73, 74

 OR, 74, 177

 parallel, 69

 XOR, 67, 111, 112, 160, 177, 334, 380

Generalization, 366, 367, 381

Glossary, 176

Granularity level, 316, 324

Graph-oriented, 95, 172, *see* Process model

Groovy, 330, 332

Groupware system, *see* Business Process Management System

H

Handling downpayments process, 93

Handover, 167, 171, 178

Helicopter pilot product data model, 279, 281, 282, 285, 287, 288

Heuristic Process Redesign, 253, 262, 276, 278, 279

Historic information, 311, 355, 368

Horizontal lane, *see* Lane

HTTP, 332

I

IBM, 41

IBM Business Process Manager, 308

IBM Lotus Domino Workflow, 307

IBM Lotus Notes, 307

IDEF3, 17

Identified, 103

IEEE Task Force on Process Mining, 357, 383

Implicit termination, *see* Termination

Inbox, 300

InConcert, 307

Information heuristic, *see* Redesign heuristic

Initiator, 125

Inner lane, *see* Lane

Input data, 300

Input object, 327

Instantiation

 explicit, 322

 implicit, 322

Insurance claims process, 93

Intensity, 260

Inter-arrival time, 230, 242

Interaction, 125, 162, 165

Interface, 303

Interface structure, 327

Internal quality, *see* Quality

Interview-based discovery, *see* Process discovery

Inventory information service, 323

Invoice checking process, 68

Ishikawa diagram, *see* Diagram

Island automation, 310

Issue register, 198

IT Infrastructure Library, 37, 95, 218, 261

IT-oriented, *see* Process model

ITIL, *see* IT Infrastructure Library

J

Java Universal Expression Language, 330

JavaScript, 332

Join, 67, 93, 176

 AND, 69–71, 74–76, 78, 116, 181, 221, 365, 368, 375

 OR, 74–76, 78, 95, 96

 XOR, 67, 69, 71–76, 78, 181, 220, 364, 368

K

Key Performance Indicator, 214, 355, 373

Knowledge Management System, 283

KPI, *see* Key Performance Indicator

L

- Label, 64, 65
- Lane, 83, 85, 88, 94, 168, 171, 176, 317, 322, 323, 333
 - horizontal, 85
 - inner, 83
 - nested, 83
 - outer, 83
 - vertical, 85
- Lean Six Sigma, 7
- Learning, 174
- Legacy system, 314
- Little's law, 226
- Loan application assessment process, 69, 71, 76, 85, 88, 119
- Log, *see* Event log
- Log file, *see* Event log
- Loop, 169, 181, 366, 371, 381
 - count, 334
- Loopback branch, 78

M

- M/M/1 queue, 231, 232
- M/M/c, 231
- M/M/c queue, 232
- Maintainability, 174
- Mandatory, 374, 379
- Manual task, *see* Task
- Manufacturing, *see* Process
- Manufacturing domain, 257
- Merging, *see* Token
- Message, 322, 327, 328
- Message flow, *see* Flow
- Methodology, 260
- Middleware, 314
- Model
 - abstraction, 66
 - mapping, 66
 - purpose, 66, 171, 174
 - target audience, 66
- Modeling convention, 171, 175, 184
 - naming, 65, 176
- Modeling guideline, 171, 175, 178, 184
- Modeling language, *see* Business process modeling language
- Modeling theory, 66
- Monitoring tool, 302
- Multi-instance, 106
- Mutually exclusive, *see* Activity
- MySQL, 334

N

- Naming convention, *see* Modeling convention
- Negative effect, 191

- Nested lane, *see* Lane
- Nobel prize laureates selection process, 147
- Non-executable element, 323
- Normal distribution, 238
- Normative process model, 174, 374, 379
- Notation, 79

O

- OASIS, 95
- Observation, 161, 162, 166, 180
- OMG, 95, 153
- One-way, 125
- Operation, 157, 161, 166, 172, 280, 383, *see* Product-Based Design
- Operational cost, 215
- Operational information, 311
- Optionality, 373, 379
- OR, 177, 334
- OR gateway, *see* Gateway
- Oracle DB, 334
- Order, 1, 10, 163–165, 168, 169, 233, 359, 360, 373, 374, 379
- Order distribution process, 72
- Order fulfillment process, 64, 65, 71, 76, 79, 83, 86, 98, 99, 105, 107, 297, 317, 323, 324, 327, 328, 331, 333, 334
- Organic nature, *see* Organization
- Organization
 - customer-centered, 254
 - organic nature of, 254
 - process-centered, 254
- Organization heuristic, *see* Redesign heuristic
- Organizational change management, 20
- Organizational design, 66
- Organizational perspective, 82
- Outcome, 4, 167
 - negative, 4
 - positive, 4, 186
- Outer lane, *see* Lane
- Output data, 300

P

- Parallel repetition, *see* Repetition
- Pareto analysis, 201
- Pareto chart, 202
- Participant, *see* Process participant
- Participant assignment rule, 327
- Passthrough, 69
- Pattern, 160, 362, 364, 366, 371, 382
- PBD, *see* Product-Based Design
- PCF, *see* Process Classification Framework
- Perceptive Software's BPMOne, 302, 337
- Performance, *see* Product-Based Design Performance Framework, 37

- Performance measure, *see* Process performance measure
- Performance objective, 216, 217
- Permission, 378
- Perspective
 - control-flow, 79, 93, 159, 374
 - data, 79, 374
 - functional, 79
 - resource, 82, 374, 378
- PICK chart, 203
- Pool, 83, 86, 88, 94, 106, 112–114, 168, 169, 171, 176, 317, 322, 323, 333
 - black box, 86, 88
 - collapsed, 86
 - white box, 86, 88
- Potential owner, 333
- Pragmatic quality, *see* Quality
- Precision, 366
- Prescription fulfillment process, 146, 322
- Primary factor, 194
- Private process, *see* Process
- Process
 - downstream, 37
 - manufacturing, 258
 - private, 86
 - public, 86
 - up-stream, 37
- Process abortion, 115
- Process analysis, 19, 191, 355, 369, 383
- Process analyst, 24, 156, 157, 159, 164, 178, 183, 190
- Process architecture, 15, 21, 33, 38, 43, 44, 55
 - business function, 45
 - case type, 43, 44
 - case/function matrix, 49, 50, 53
 - decomposition, 45, 46, 48, 49
- Process automation, 20, 383
- Process capacity, 250
- Process case, *see* Process instance
- Process choreography, *see* Diagram
- Process Classification Framework, 37
- Process cockpit, 356
- Process controlling, 355, 378, 383
- Process decomposition, 97
- Process design, 22, *see also* Process redesign
- Process discovery, 16, 155, 161, 162, 165, 166, 178, 183, 355, 360, 366, 372, 378, 383
 - automated process discovery, 162
 - evidence-based discovery, 161, 165, 166, 178
 - interview-based discovery, 161, 162, 165, 166, 178, 183
 - workshop-based discovery, 161, 164–166, 178, 183
- Process hierarchy, 100
- Process identification, 15, 33
 - designation phase, 34
 - evaluation phase, 34, 38
- Process implementation, 20
- Process instance, 64, 116, 238, 242, 299, 353, 355, 369
 - attribute, 334
 - state, 64, 354, 375
- Process landscape model, 42, 43, 53
- Process map, 56, 57
- Process mining, 162, 183, 353, 360, 378, 383
- Process model, 63, 156, 171, 174, 184, 298, 316, 323, 327
 - block-structured, 176, 228, 381
 - business-oriented, 66, 297, 316, 317, 323, 324, 326, 333
 - connectivity, 152
 - deployment, 300
 - diameter, 152
 - executable, 297, 299, 314, 316, 320, 324, 334, 337
 - graph-oriented, 95, 172
 - IT-oriented, 66, 316
 - size, 152, 174
 - structuredness, 152, 176
 - unstructured, 176
- Process model repository, 300
- Process model structuredness, 366, 373
- Process modeling tool, 300
- Process monitoring, 21, 302, 355, 369, 378
- Process Orchestration Server, 308
- Process owner, 14, 24, 156, 163, 164, 174, 180, 198, 353, 355, 373
- Process participant, 24, 63, 82, 156, 160, 164, 168, 186, 243, 298–302, 304–306, 309–311, 315, 317, 319, 320, 323, 326, 333, 351, 353, 354, 356, 367, 370, 372, 377, 378, 382
- Process performance dimension, 213, 367
- Process performance measure, 214, 244, 300, 356, 367
- Process redesign, 20, 190, 215, 255, 256
 - technical challenge, 260
- Process reuse, 100
- Process scope, 118
- Process simulation, 174, 235
 - input analysis, 237
- Process variable, 327, 328
- Process-centered, *see* Organization
- Processing time, 158, 162, 214, 224, 231, 235, 368
- Procure-to-pay process, 147
- Procurement process, 102

- Product data model, 278, 279, 281, 282
- Product-Based Design, 253, 261, 278
 - application, 281
 - correctness, 285, 286
 - fraction analysis, 285
 - operation, 280
 - performance, 288
 - production analysis, 284
 - production logic, 282
 - production rule, 280, 282, 283
 - source analysis, 284
 - source completeness, 287
 - top information element, 281
- Production workflow system, *see* Business Process Management System
- Public process, *see* Process
- Pyramid, 42

- Q**
- Quality, 156, 171, 172, 174, 178, 184, 213, 257, 356, 366, 370, 379, 383
 - external, 215
 - internal, 215
 - pragmatic, 171, 174, 184, 215
 - semantic, 171, 172, 179
 - syntactic, 171, 176
- Queueing system, 229
- Queueing theory, 229
- Queueing time, 214
- Queue, 229

- R**
- Race condition, 112
- Racing event, 111
- Receive task, *see* Task
- Recipient, 125
- Redesign heuristic, 259, 263
 - business process behavior, 266
 - business process operation, 264
 - customers, 263
 - external environment, 271
 - information, 270
 - organization, 263
 - technology, 271, 275
- Reference model, 261
- Repetition, 77, 102
 - parallel, 104
 - uncontrolled, 107, 108
- Repetition block, 77, 169
- Resource, 82, 94, 106, 168, 171, 235, 300, 304, 311, 312, 324–326, 356, 371, 377, 382
 - active, 82
 - passive, 82
 - human, 324
 - non-human, 324
- Resource assignment, 322
- Resource class, 83, 106, 333
- Resource classification, 305
- Resource contention, 229
- Resource parameter, 333
- Resource pool, 236, 242
- Resource utilization, 236
- Restriction, 176
- Rework, 18, 77, 102, 163, 169, 222, 371
- Rework probability, 223, 371
- Role, 157, 164, 378, 383
- Root cause, 158, 196
- RSS feed, 332

- S**
- Sarbanes–Oxley Act, 313
- Scientific management, 9
- SCOR, *see* Supply Chain Operations Reference Model
- Screen scraping, 314
- Script task, *see* Task
- Secondary factor, 194
- Semantic quality, *see* Quality
- Semantics, 79, 171, 172, 174, 184
- Send task, *see* Task
- Separation of duties, 312, 378, 382, 383
- Sequence, 64, 172, 366, 368, 371, 381
- Sequence flow, *see* Flow
- Service, 301, 322, 327, 331, 369
- Service adapter, 334
- Service connector, 334
- Service interface, 331, 352
- Service operation, 331
 - asynchronous, 331
 - in-only, 332
 - in-out, 332
 - synchronous, 331
- Service provider, 326, 332
- Service task, *see* Task
- Service time, *see* Processing time
- Service-Oriented Architecture, 314
- Services domain, 257
- Signal, 327, 328
- Simplicity, 366
- Simulation, *see* Process simulation
- Six Sigma, 7, 214
- Small claims tribunal process, 110
- SOA, *see* Service-Oriented Architecture
- Software system, 82
- Soundness, 172, 181, 184
- Source analysis, *see* Product-Based Design
- Source completeness, *see* Product-Based Design

- Split, 67, 93, 176
 - AND, 69–72, 74–76, 85, 96, 181, 221, 365
 - data-based, 112, 324
 - event-based, 111, 114
 - OR, 74, 76, 85, 126, 181
 - XOR, 67–69, 71–77, 85, 126, 181, 220, 334, 364, 368, 373, 375
 - SQL query, 334
 - Standardization, 372
 - State, *see* Process instance
 - Step, 162, 185, 374, 379
 - Straight-Through-Processing, 309
 - Strategic process, 41
 - Structural correctness, 172
 - Sub-choreography, 128
 - Sub-process, 97, 98, 100, 105, 116, 147, 168, 177
 - ad-hoc, 99, 102, 107, 108
 - collapsed, 98
 - embedded, 101
 - event, 121
 - expanded, 98
 - global, 101
 - Supply Chain Operations Reference Model, 37, 95
 - Support process, 61
 - Synchronization, *see* Token synchronization
 - Synchronizing merge, 75
 - Syntactic quality, *see* Quality
 - Syntax, 78
 - System binding, 334
 - System engineer, 25
- T**
- Target audience, *see* Model
 - Task, 3, 97, 156, 158, 161, 164, 176, 235, 327, 330, 331, 333, 354, 356, 359, 364, 367, 368, 372, 373, 382
 - automated, 317
 - loop, 333
 - manual, 316, 317, 319
 - receive, 88, 171, 319, 327, 332
 - script, 319, 327, 332
 - send, 88, 171, 319, 332
 - service, 319, 331
 - user, 317, 319, 320, 324, 326, 327, 333, 334, 337
 - Task variable, 327
 - Technical challenge, *see* Process redesign
 - Technique, 260
 - Technology fault, 114
 - Technology heuristic, *see* Redesign heuristic
 - Termination
 - implicit, 71
 - Text annotation, 82, 171, 179, 322, 323
 - Throughput time, *see* Cycle time
 - TIBCO Business Works, 307
 - Ticketing system, 353, 371
 - Time, 155, 162, 165, 166, 213, 355, 359, 367, 371
 - Timeout, *see* Activity
 - To-be, 20, 172
 - Token, 64, 105, 110, 181, 368, 375, 377
 - Token flow, 81
 - Token synchronization, 70
 - Tool, 260
 - Tool operator, 164
 - Top information element, *see* Product-Based Design
 - Tree diagram, *see* Diagram
 - Two-way, 125
- U**
- UEL, *see* Java Universal Expression Language
 - UIMS, *see* User Interface Management System
 - UML Activity Diagram, 17, 95
 - UML AD, *see* UML Activity Diagram
 - Uncontrolled repetition, *see* Repetition
 - Understandability, 162, 174, 184, 366
 - Unstructured, *see* Process model
 - Unstructured cycle, *see* Cycle
 - Unstructured process model, 228
 - URL, 334
 - User interface, 314
 - User Interface Management System, 310
 - User task, *see* Task
- V**
- Validation, 171, 173, 174, 184
 - Validity, 173, 174
 - Value Reference Model, 37
 - Value-adding step, 186
 - Verification, 171, 184
 - Vertical lane, *see* Lane
 - Violation, 356, 373, 378
 - VRM, *see* Value Reference Model
- W**
- Waiting time, 18, 214, 224, 229, 236, 239, 367
 - Web technology, 327
 - Web service, 297, 304, 314, 317, 327, 332, 336, 352
 - Web Services Business Process Execution Language, 95
 - Web Services Description Language, 332, 352
 - WfMC, *see* Workflow Management Coalition
 - WfMS, *see* Workflow Management System
 - White box, *see* Pool

Why-why diagram, *see* Diagram
Work item, 235, 299–304, 306, 309, 311–313,
315, 319, 320, 333, 354, 360, 382
 check-in, 301, 320
 check-out, 301, 319, 320
Work-in-Progress, 225, 232
Workflow, 183, 184, 298
Workflow log, *see* Event log
Workflow Management Coalition, 303
 reference model, 351
Workflow Management System, 299, 302
Workflow net, 96
Workflow pattern, 96
Worklist, *see* Worklist handler
Worklist handler, 300, 306, 354
Workshop-based discovery, *see* Process
 discovery

WS-BPEL, *see* Web Services Business Process
 Execution Language
WSDL, *see* Web Services Description
 Language

X

XES, *see* EXTensible Event Stream
XML, 327, 329, 332, 352, 358
XML Schema, 327–329, 352
 type, 328, 330, 331, 336
XOR gateway, *see* Gateway
XPath, *see* Expression
XSD, *see* XML Schema

Y

YAWL, *see* Yet Another Workflow Language
Yet Another Workflow Language, 96
Yet Another Workflow System, 337, 352